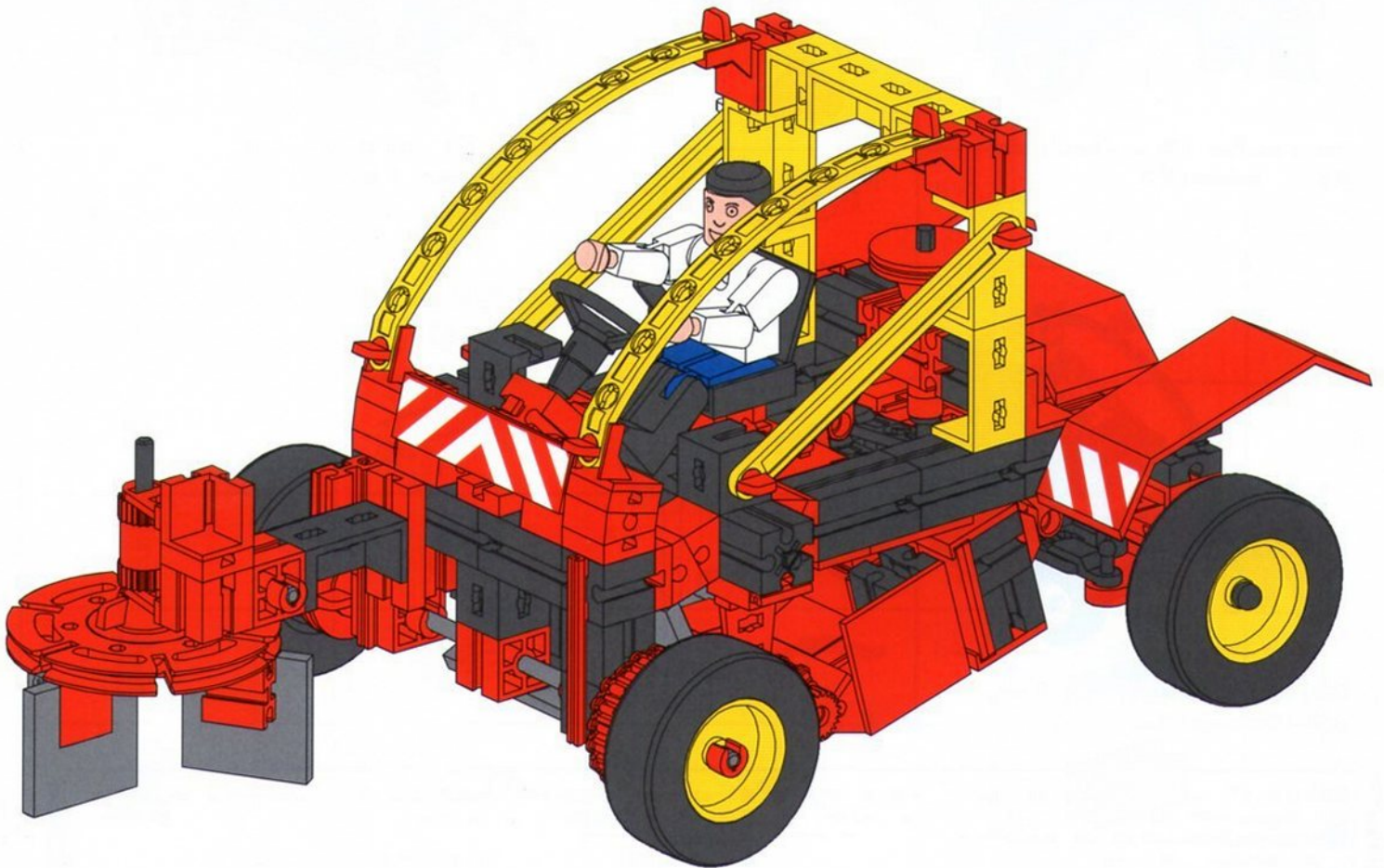
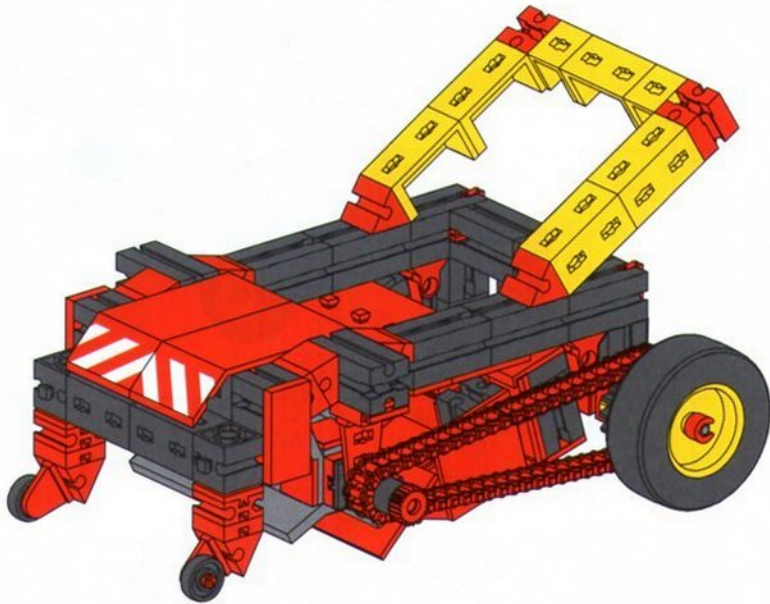


# KEHRMASCHINEN

**fischertechnik** 

**ADVANCED**

SWEEPERS  
BALAYEUSES  
ESCOBAS MECÁNICAS  
VEEGMACHINES  
VARREDORAS MECÂNICAS  
SPAZZATRICI  
Уборочные Машины  
清扫夫



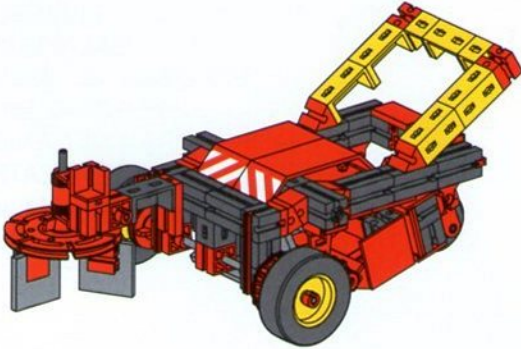
**Inhalt**  
**Contents**  
**Contenu**

**Inhoud**  
**Contenido**  
**Conteúdo**

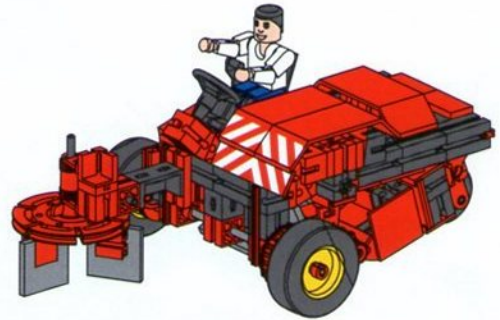
**Contenuto**  
**Содержание**  
**目录**

Einzelteilübersicht / Spare parts list / Liste des pièces détachées / Onderdelenoverzicht / Lista da peças / Resumo de peça individual /  
Singoli componenti / Отдельные детали / 零件概览 ..... S./p./стр./ 页次 1

Montagetipps / Tips for assembly / Tuyaux pour le montage / Montagetips / Consejos para el montaje / "Dicas" para montagem /  
Consigli per il montaggio / Советы по сборке / 装配建议 ..... S./p./стр./ 页次 2



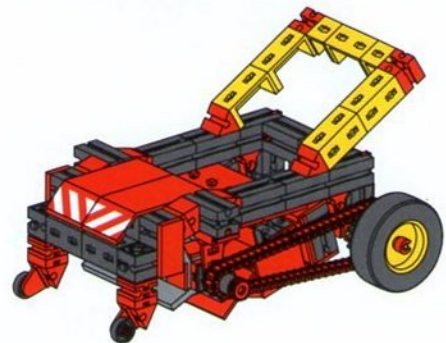
Seite / Page / Page / Bladzijde / Página / Página /  
pagina / Страница / 页次 ..... 3



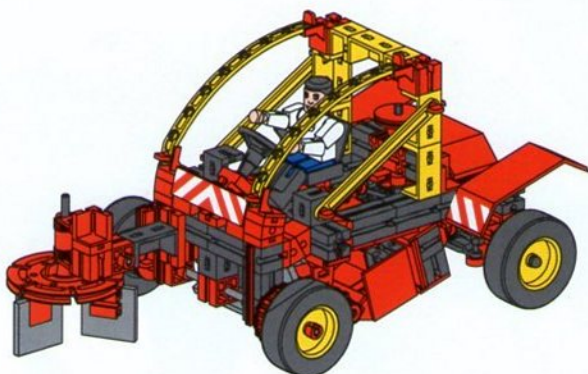
Seite / Page / Page / Bladzijde / Página / Página /  
pagina / Страница / 页次 ..... 9



Seite / Page / Page / Bladzijde / Página / Página /  
pagina / Страница / 页次 ..... 13



Seite / Page / Page / Bladzijde / Página / Página /  
pagina / Страница / 页次 ..... 18



Seite / Page / Page / Bladzijde / Página / Página /  
pagina / Страница / 页次 ..... 22

- Alle Einzelteile, insbesondere bewegliche Teile sind falls notwendig zu warten und zu reinigen.
- All components, especially moving parts, should be maintained and cleaned as necessary.
- Toutes les pièces détachées et en particulier les pièces mobiles, sont, si nécessaire, à entretenir et à nettoyer.
- Alle onderdelen, vooral de bewegende delen, kunnen, indien noodzakelijk, onderhouden en gereinigd worden.

- Es necesario limpiar y mantener en buen estado todas las diferentes piezas - especialmente las piezas móviles.
- Caso necessário, todas as peças individuais, especialmente peças móveis, tem que ser submetidas à manutenção e ser limpas.
- Se necessario, tutti i singoli componenti, soprattutto le parti mobili, si devono eventualmente sottoporre a manutenzione e pulizia.
- Все детали, особенно подвижные, требуют ухода и чистки.
- 必要时应保养和清洁所有零件，尤指运动部件。

**Einzelteilübersicht**  
**Spare parts list**  
**Liste des pièces détachées**

**Onderdelenoverzicht**  
**Lista da piezas**  
**Resumo de peça individual**

**Singoli componenti**  
**Отдельные детали**  
**零件概览**

	31 010 7 x		31 766 1 x		32627 4 x		35 112 1 x
	31 011 10 x		31 843 2 x		32 851 1 x		35 113 2 x
	31 019 1 x		31 888 2 x		32 870 2 x		35 668 2 x
	31 021 1 x		31 896 3 x		32 879 15 x		35 806 1 x
	31 058 4 x		31 913 2 x		32 881 14 x		
	31 060 6 x		31 915 1 x		32 882 3 x		35 998 2 x
	31 061 2 x		31 916 1 x		32 913 4 x		36 248 59 x
	31 124 3 x		31 981 6 x		34 995 2 x		36 298 1 x
	31 330 2 x		31 982 11 x		35 031 4 x		36 299 5 x
	31 426 2 x		31 994 1 x		35 049 2 x		36 323 9 x
	31 436 2 x		32 064 6 x		35 053 1 x		36 334 3 x
	31 506 15 x		32 263 1 x		35 058 2 x		36 573 2 x
	31 597 3 x		32 321 3 x		35 060 2 x		36 574 2 x
	31 670 1 x		32 330 4 x		35 067 1 x		36 912 1 x
	31 674 4 x		32 455 3 x		35 068 2 x		36 920 6 x

**Einzelteilübersicht**  
**Spare parts list**  
**Liste des pièces détachées**

**Onderdelenoverzicht**  
**Lista da piezas**  
**Resumo de peça individual**

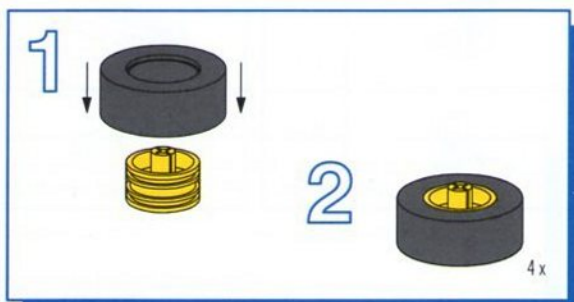
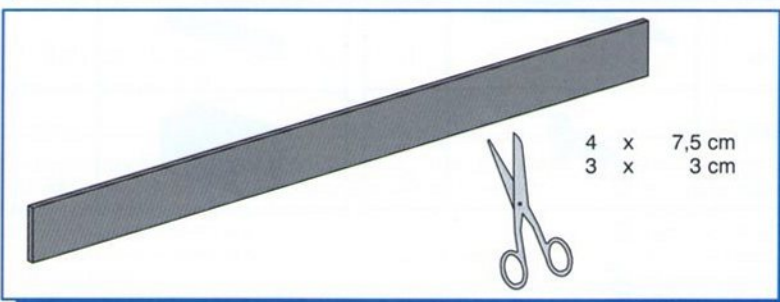
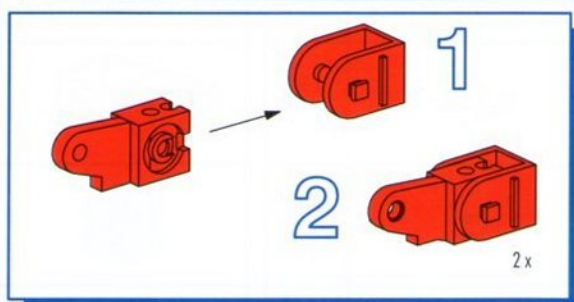
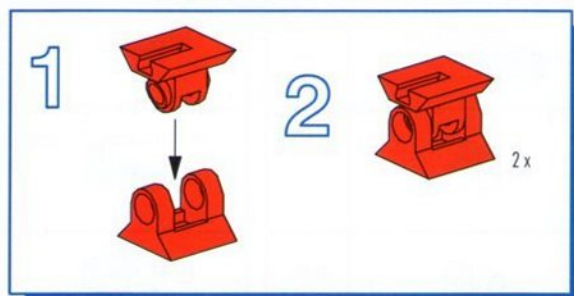
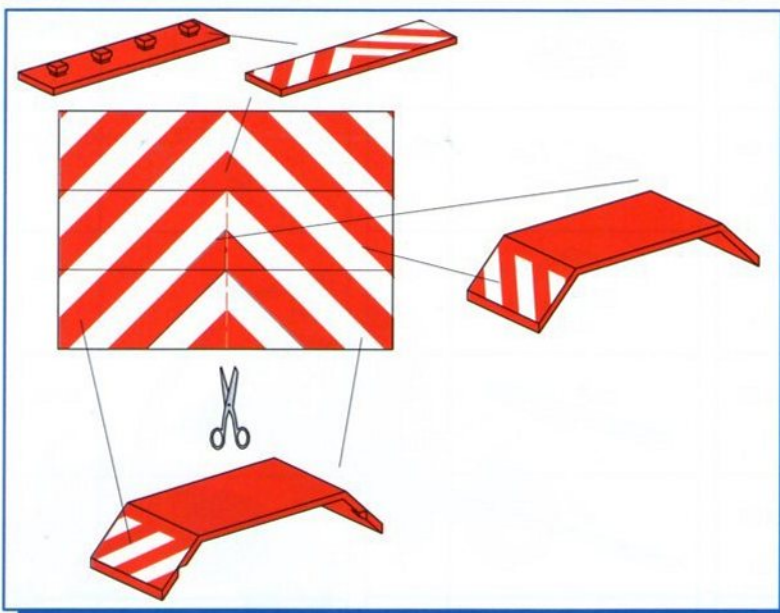
**Singoli componenti**  
**Отдельные детали**  
**零件概览**

	36 922 6 x		38 236 1 x		38 260 1 x		38 543 1 x
	36 981 1 x		38 240 4 x		38 414 1 x		116252 2 x
	37 237 15 x		38 245 1 x		38 415 2 x		130 593 1 x
	37 384 2 x		38 251 4 x		38 423 3 x		130 963 1 x
	37 468 12 x		38 253 3 x		38 428 1 x		131 374 1 x
	37 636 1 x		38 258 2 x		38 464 1 x		
	37 679 10 x		38 259 2 x		38 473 2 x		

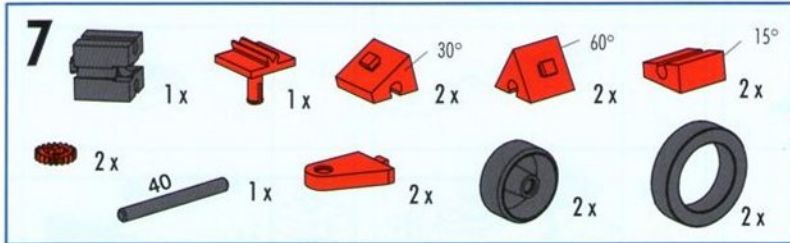
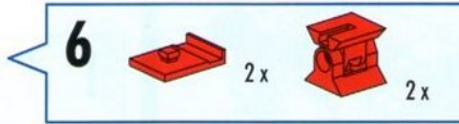
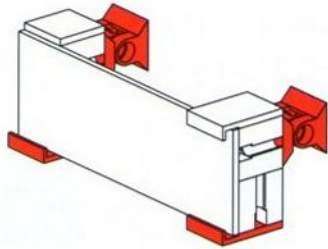
**Montagetipps**  
**Tips for assembly**  
**Tuyaux pour le montage**

**Montagetipps**  
**Consejos para el montaje**  
**"Dicas" para montagem**

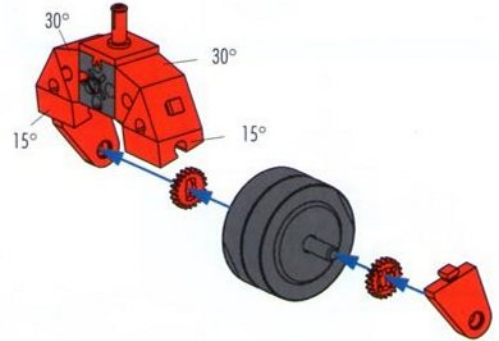
**Consigli per il montaggio**  
**Советы по сборке**  
**装配建议**



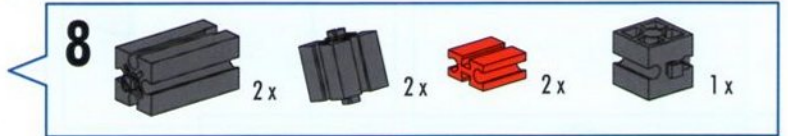
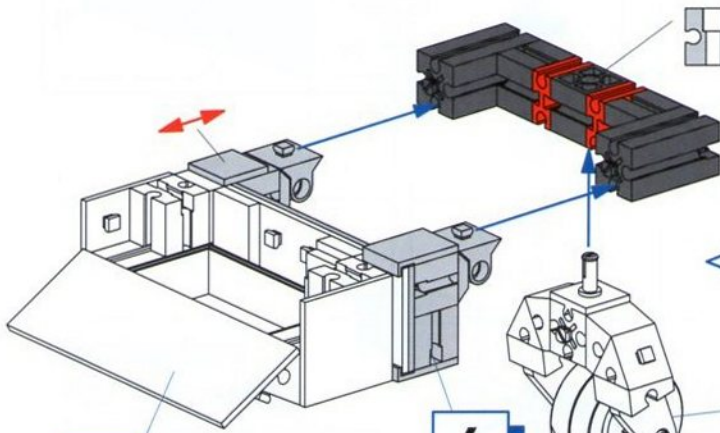




40 mm



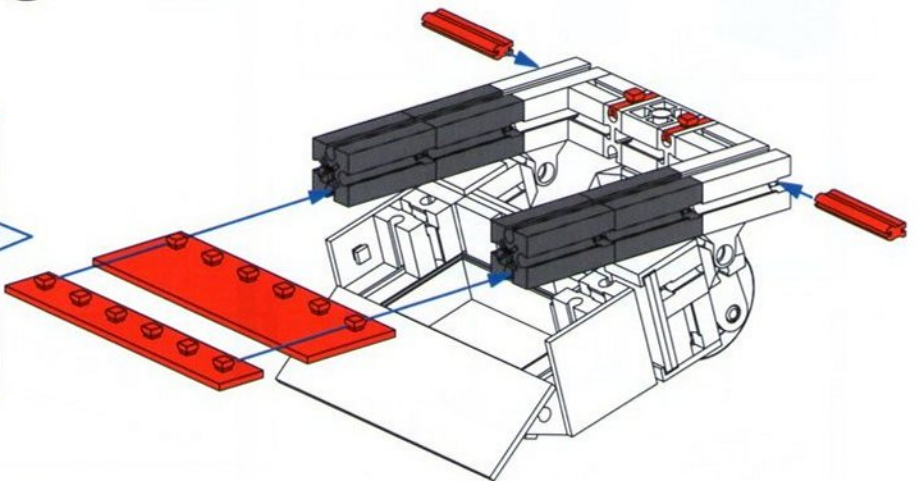
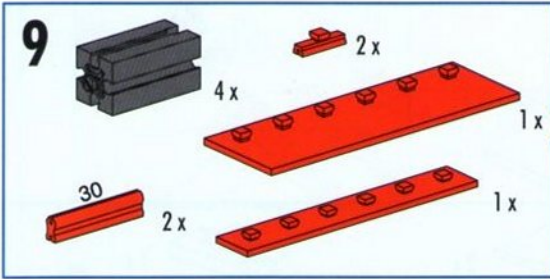
Große Bohrung  
Large drilling  
Alésage large  
Grote boring  
Perforación grande  
Orificio grande  
Grande foro  
Большое отверстие  
大孔



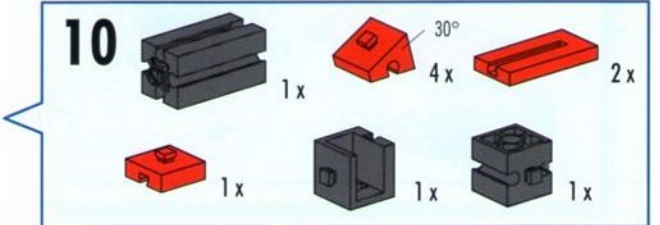
**4**

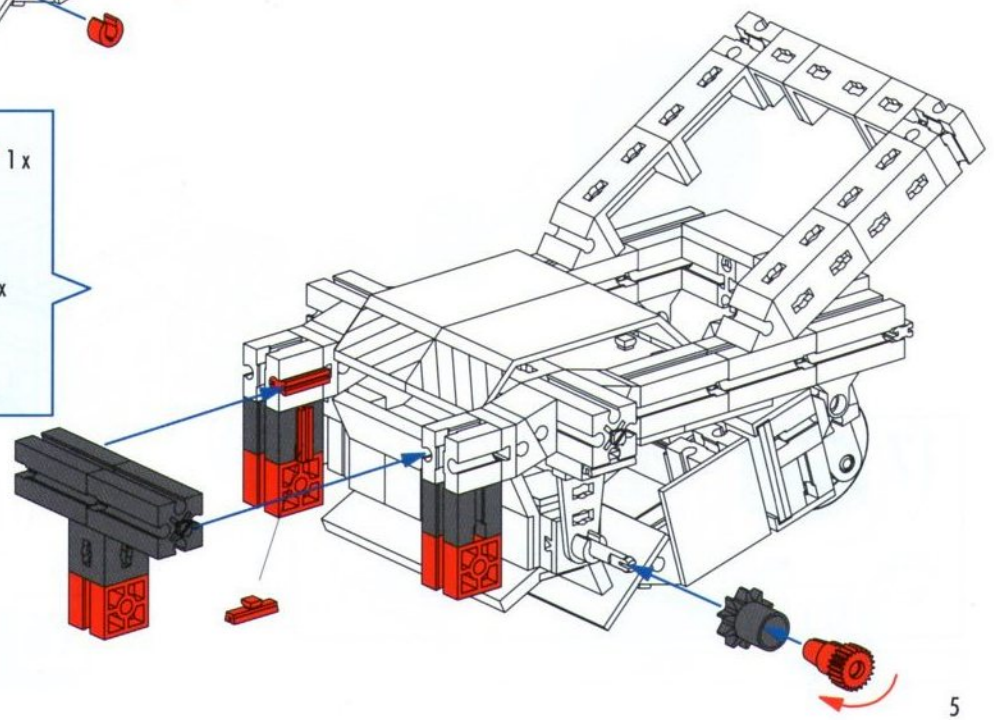
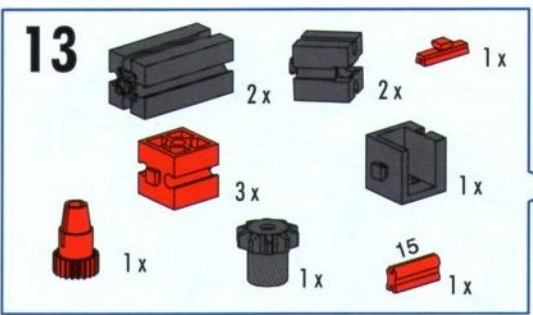
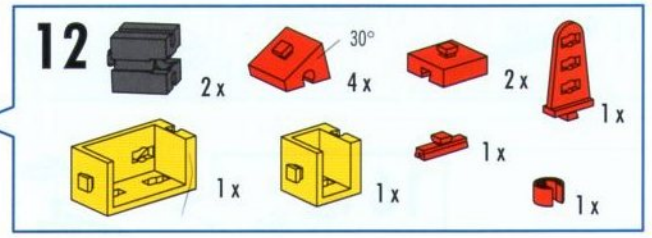
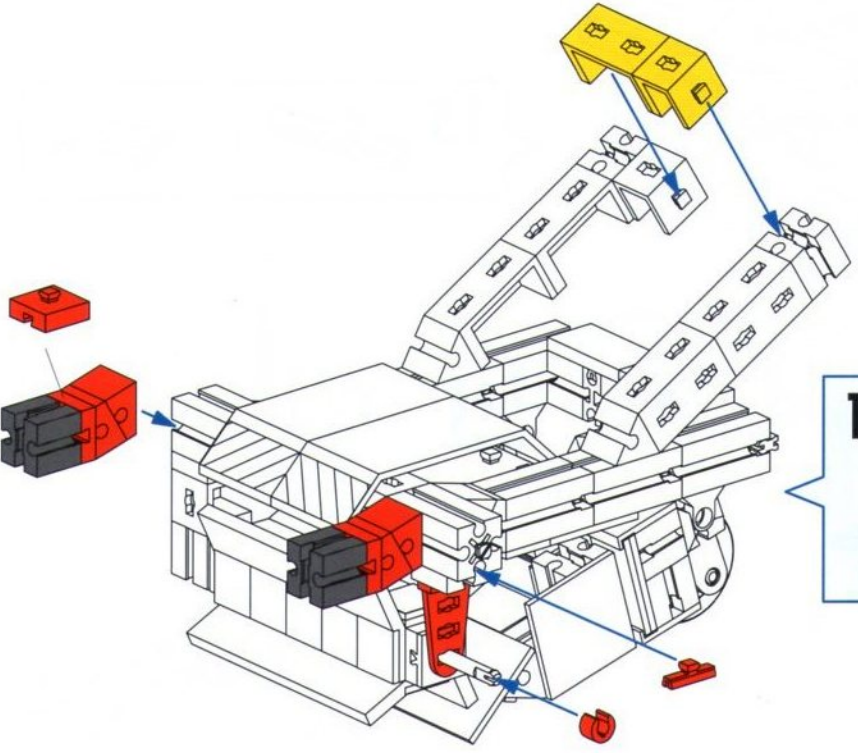
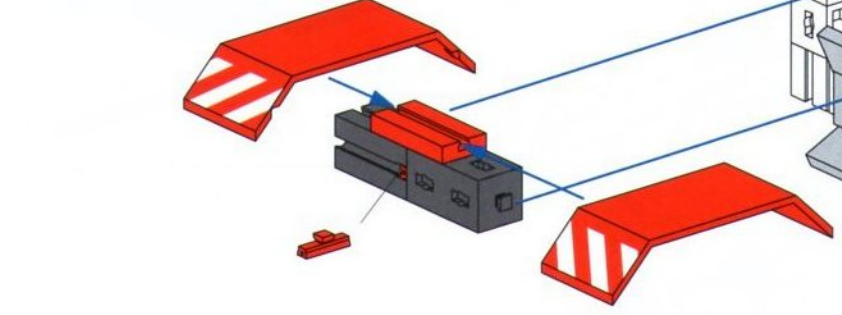
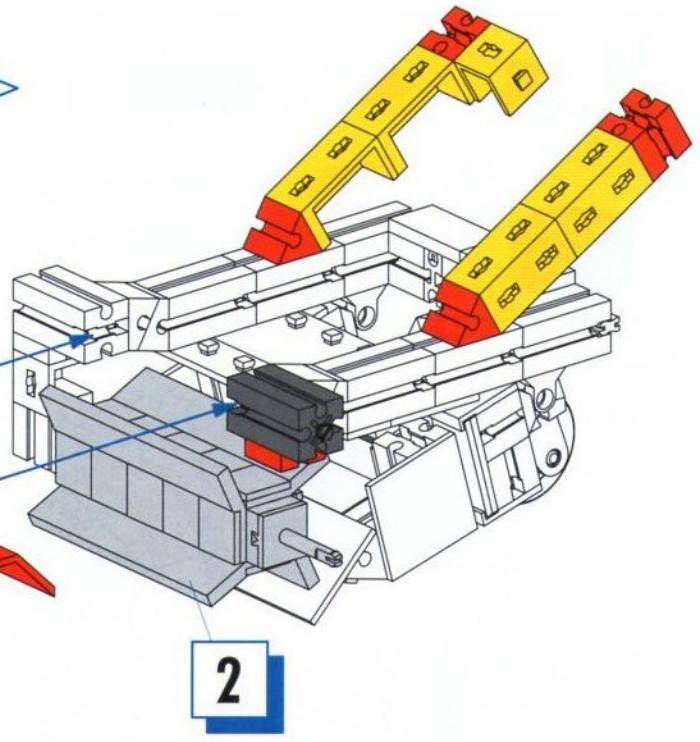
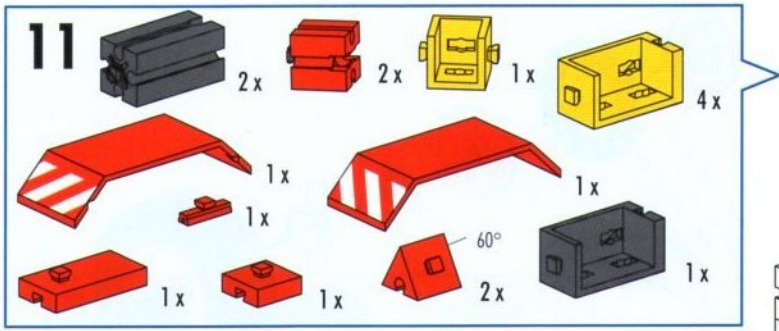
**6**

**7**









Große Bohrung  
Large drilling  
Alésage large  
Grote boring  
Perforación grande  
Orificio grande  
Grande foro  
Большое отверстие  
大孔







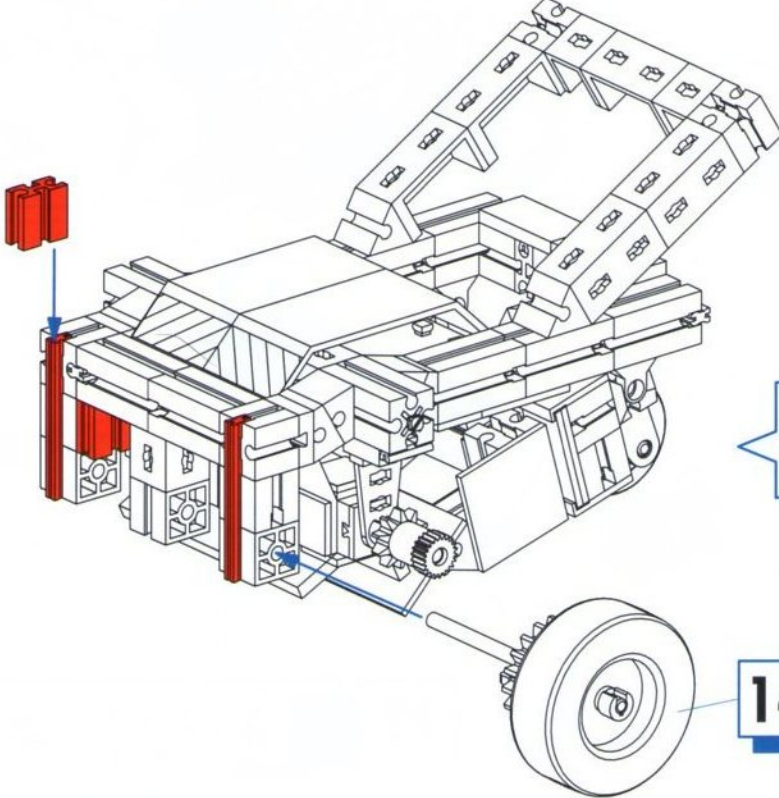
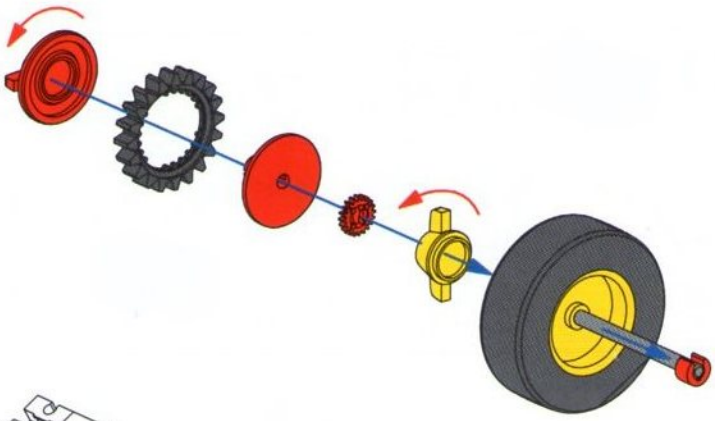
**14**

1x  1x  1x  1x



1x  1x  1x  1x

1x  1x  80 1x

80 mm



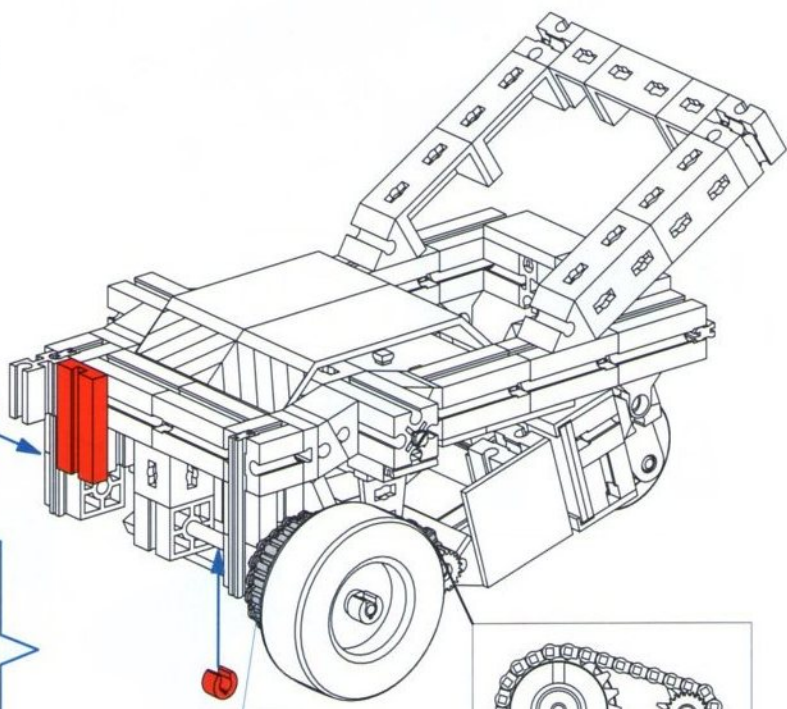
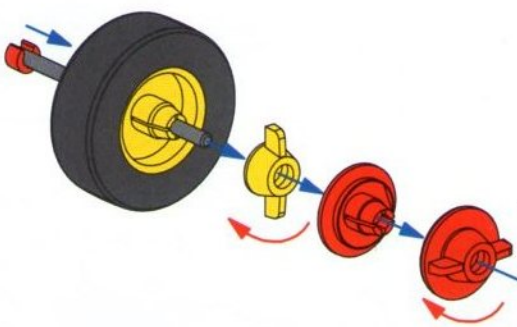
**15**

 45 2x  2x

**14**




**16**





 30x  30x



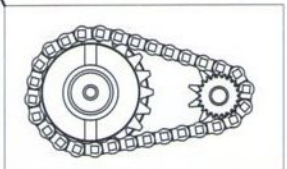
**16**

**17**

1x  1x  1x  1x

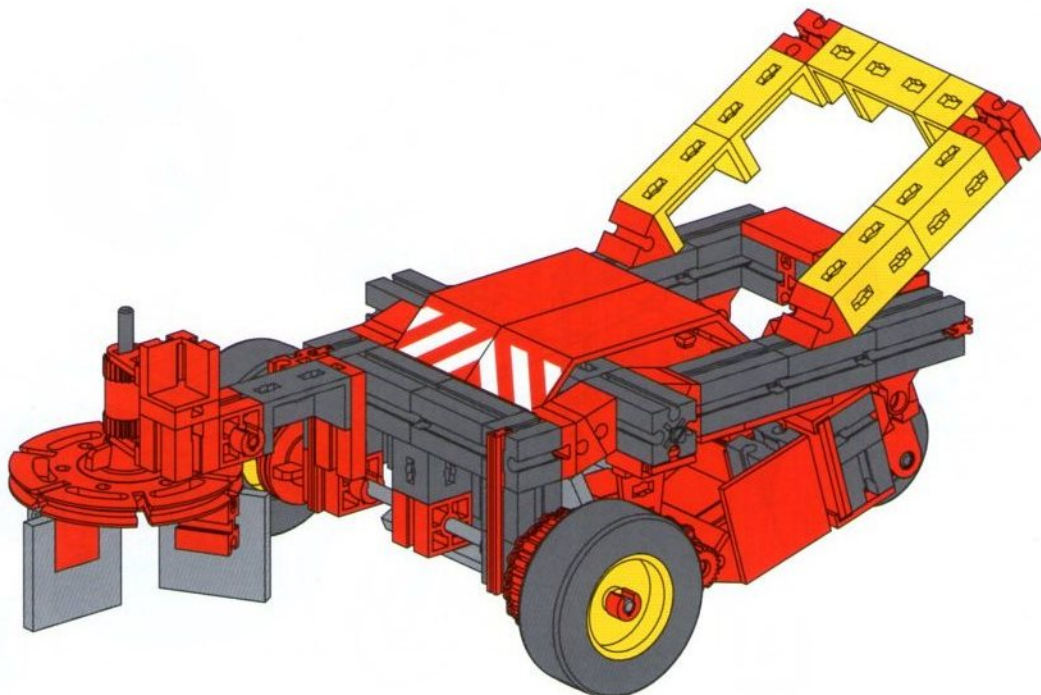
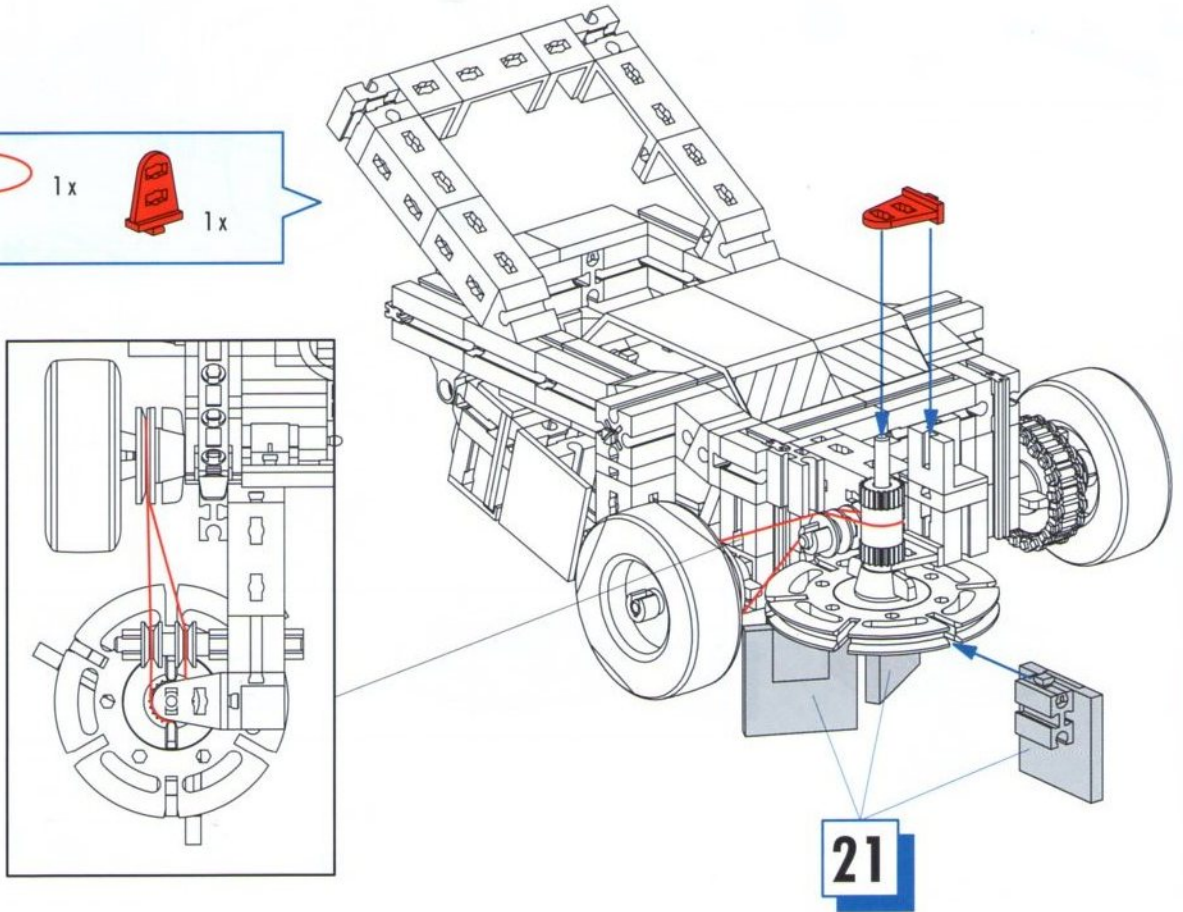
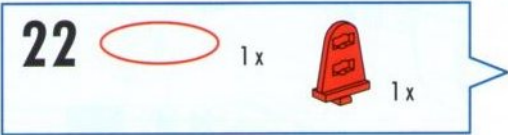
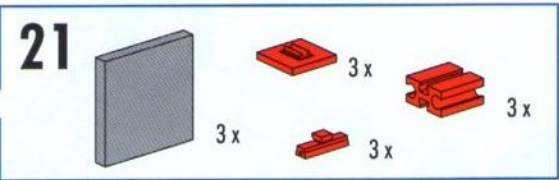
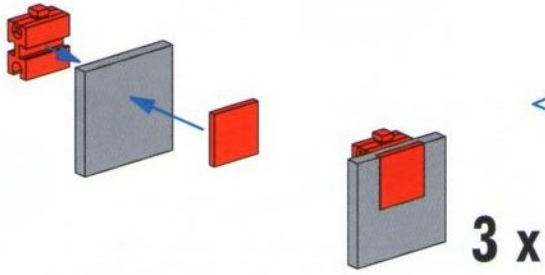
1x  1x  2x  80 1x  1x

80 mm



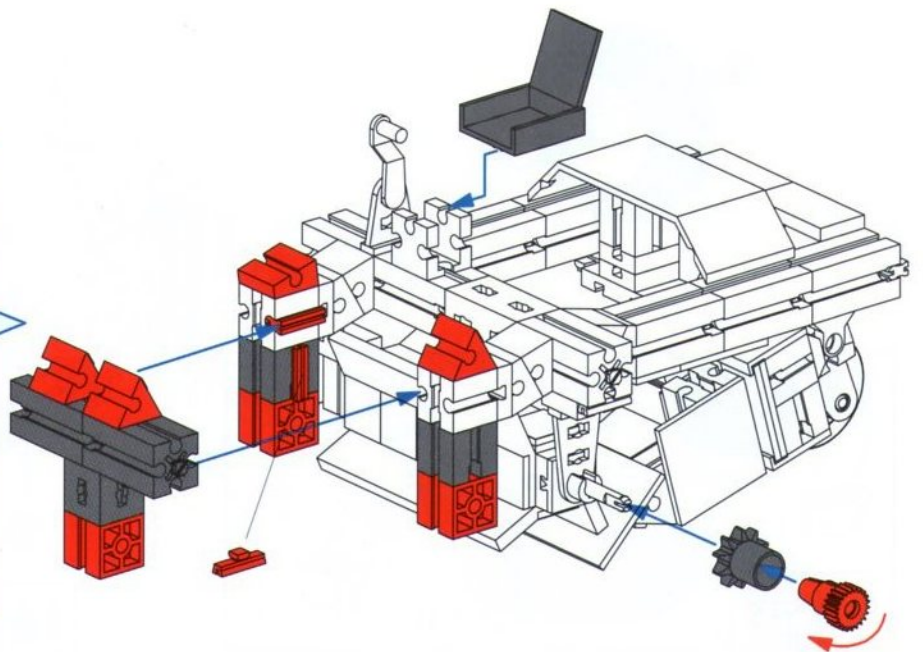
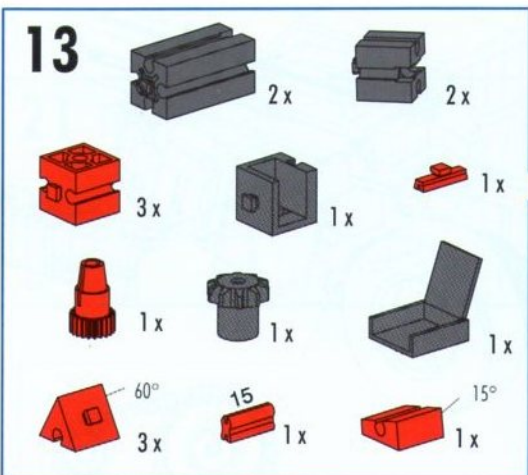
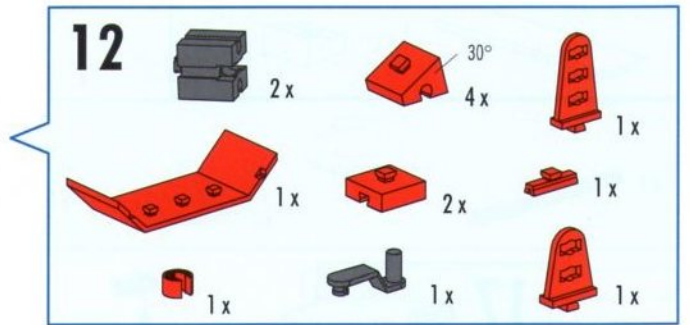
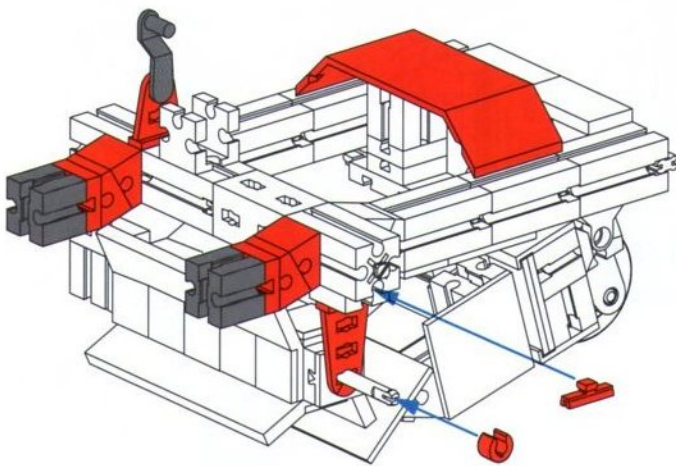
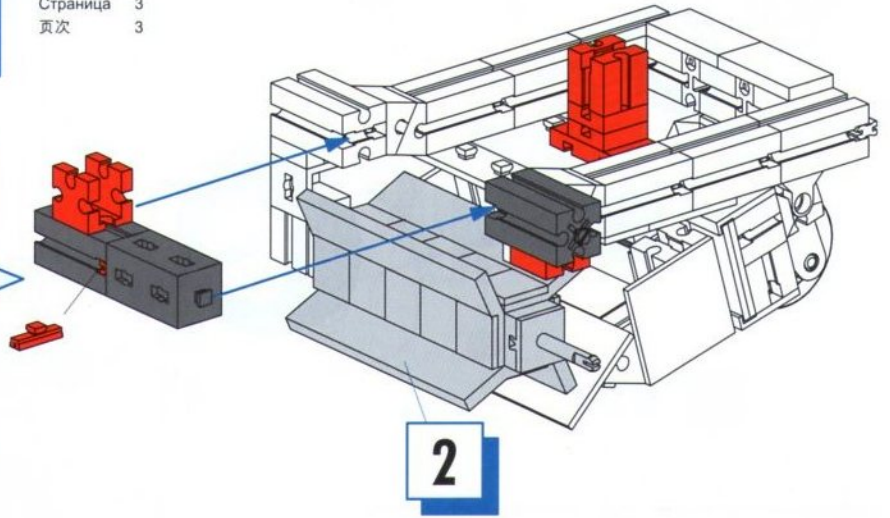
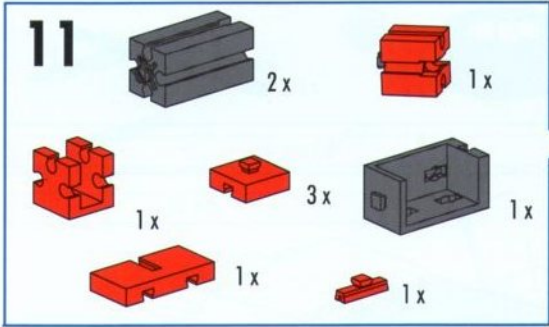




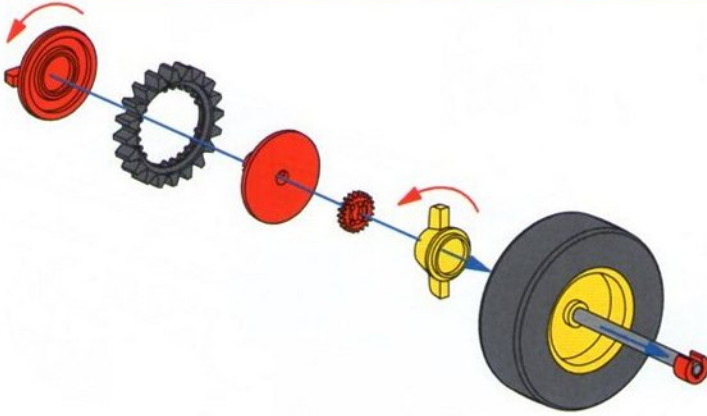
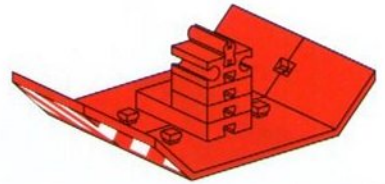
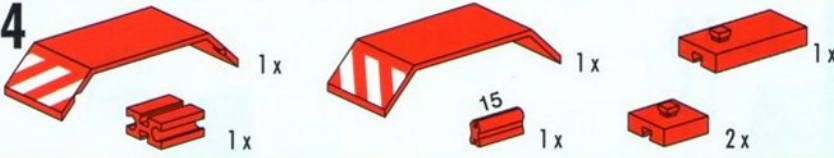


# 1- 10

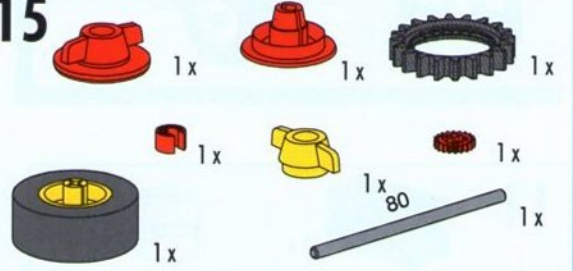
Seite 3  
 Page 3  
 Page 3  
 Bladzijde 3  
 Pàgina 3  
 Pagina 3  
 Pagina 3  
 Страница 3  
 页次 3



14

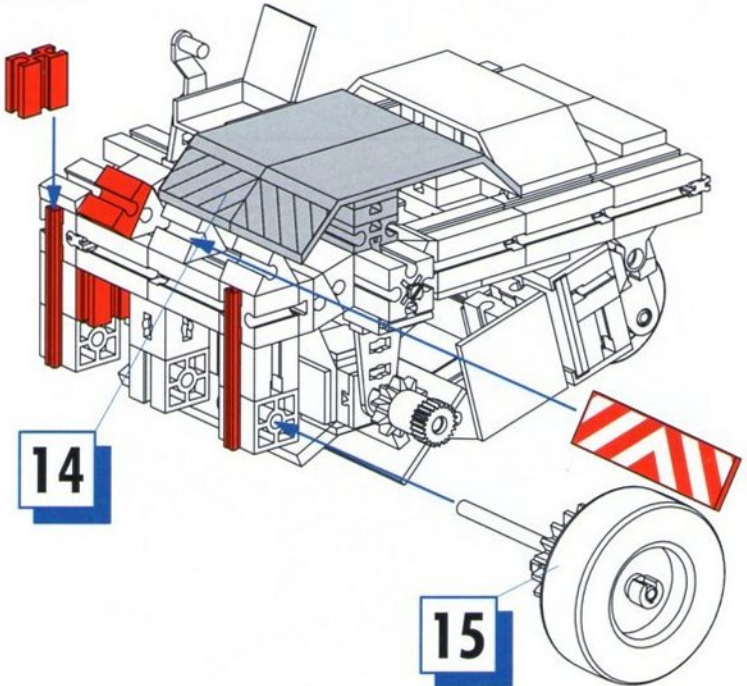
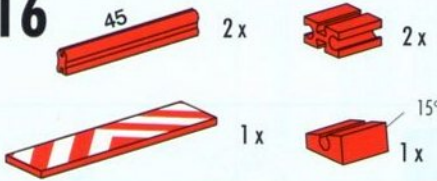


15



80 mm

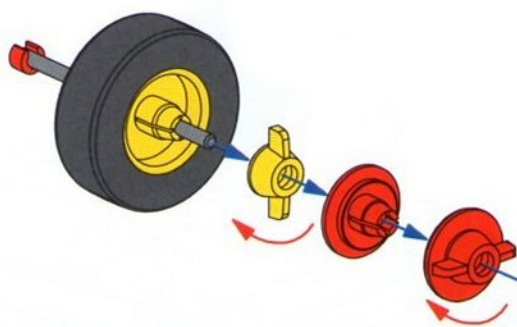
16



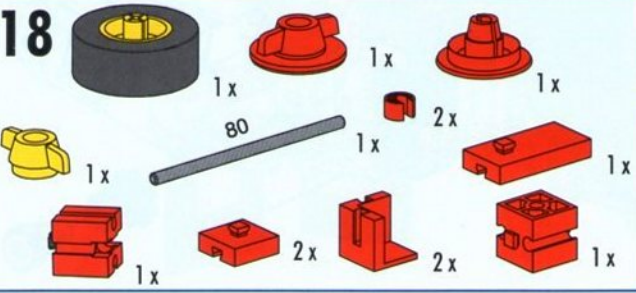
14

15

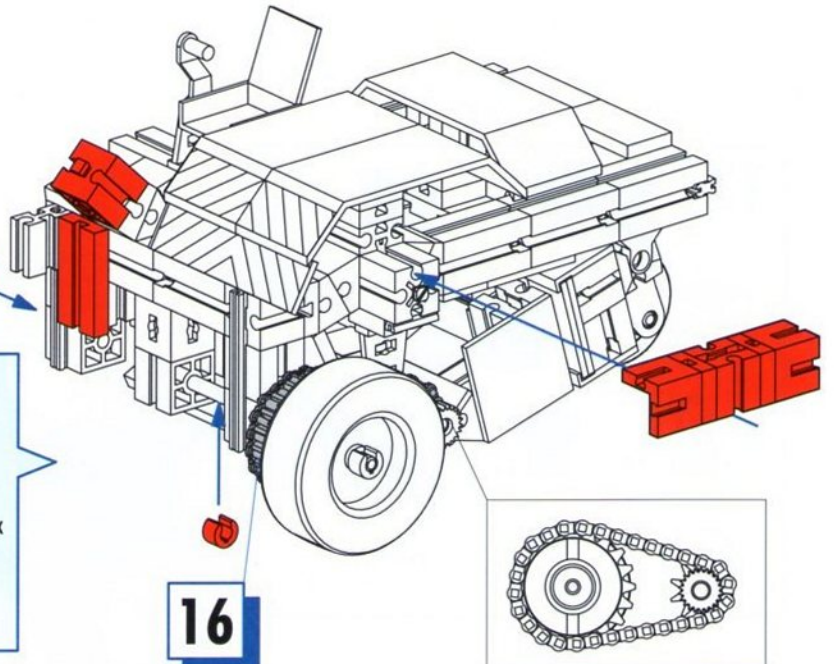
17



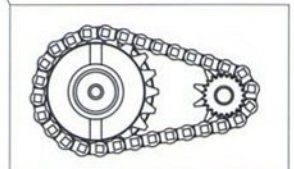
18

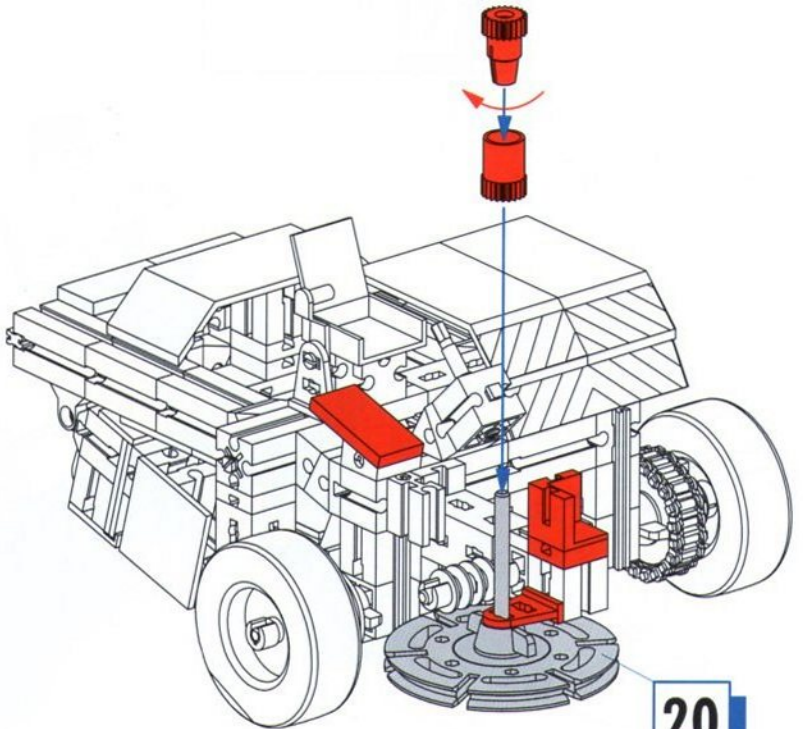
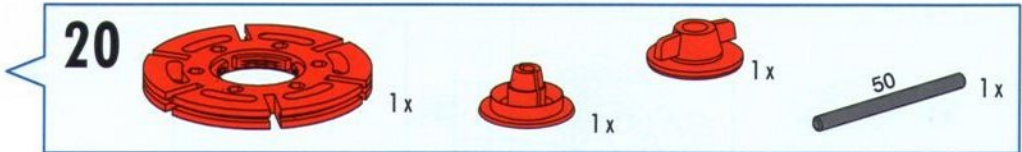
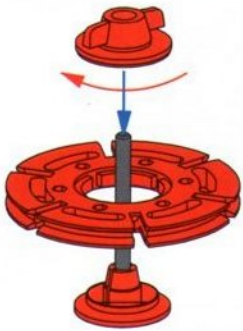
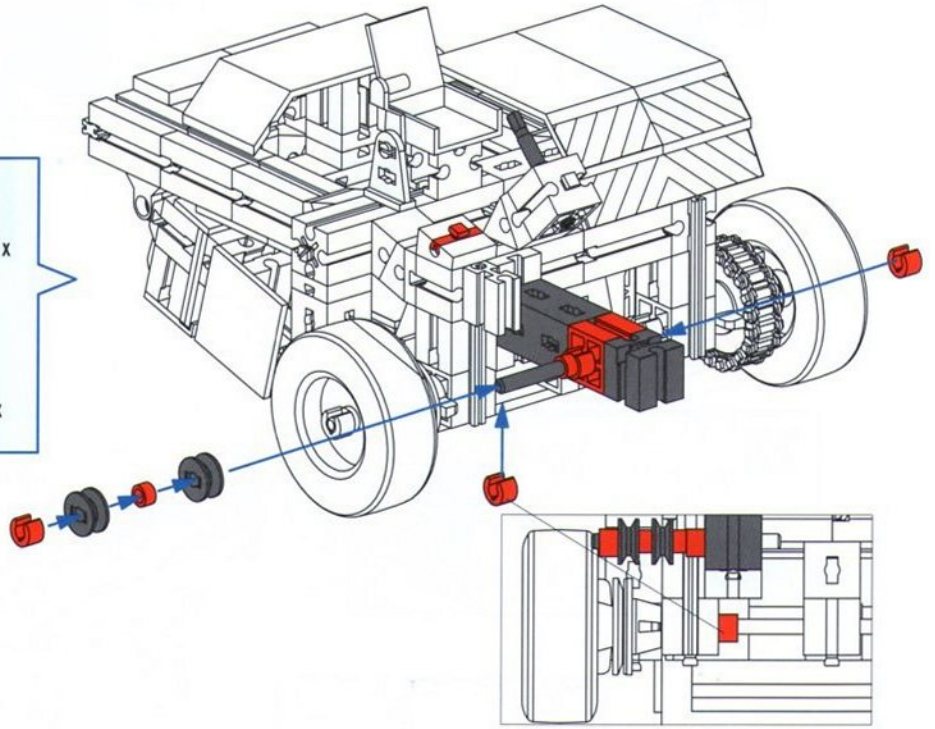
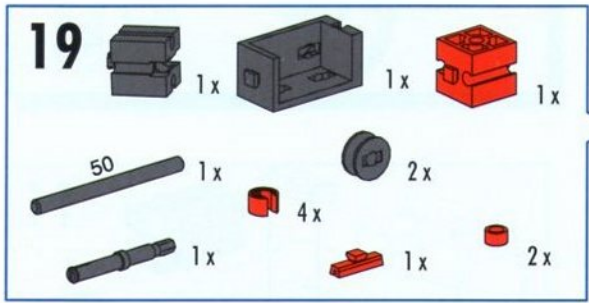


80 mm

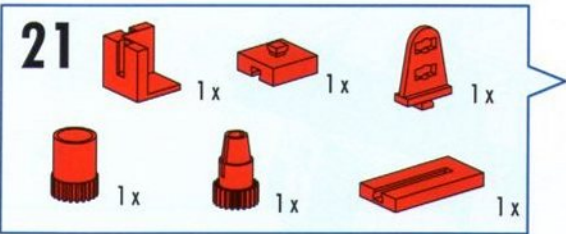


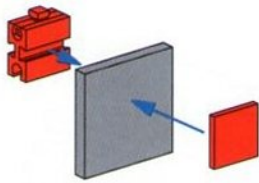
16



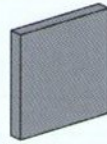


**20**





22



3 x



3 x



3 x

23



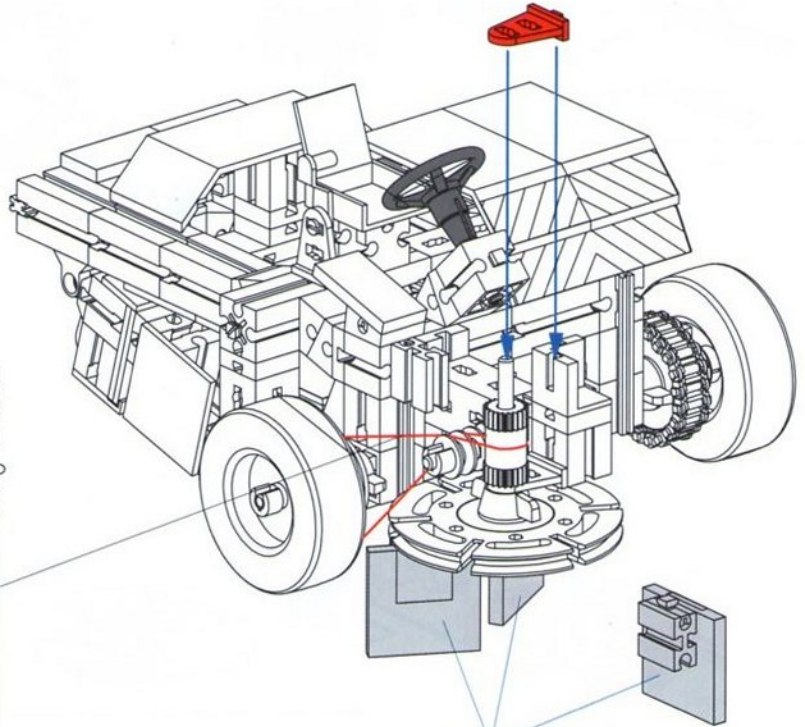
1 x



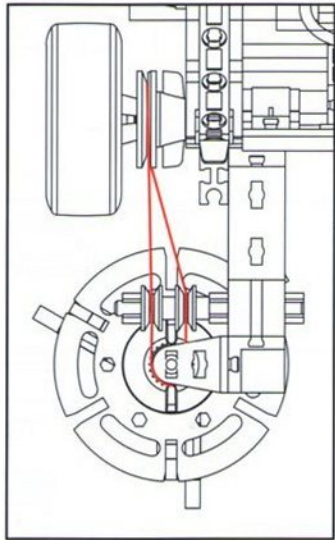
1 x



1 x

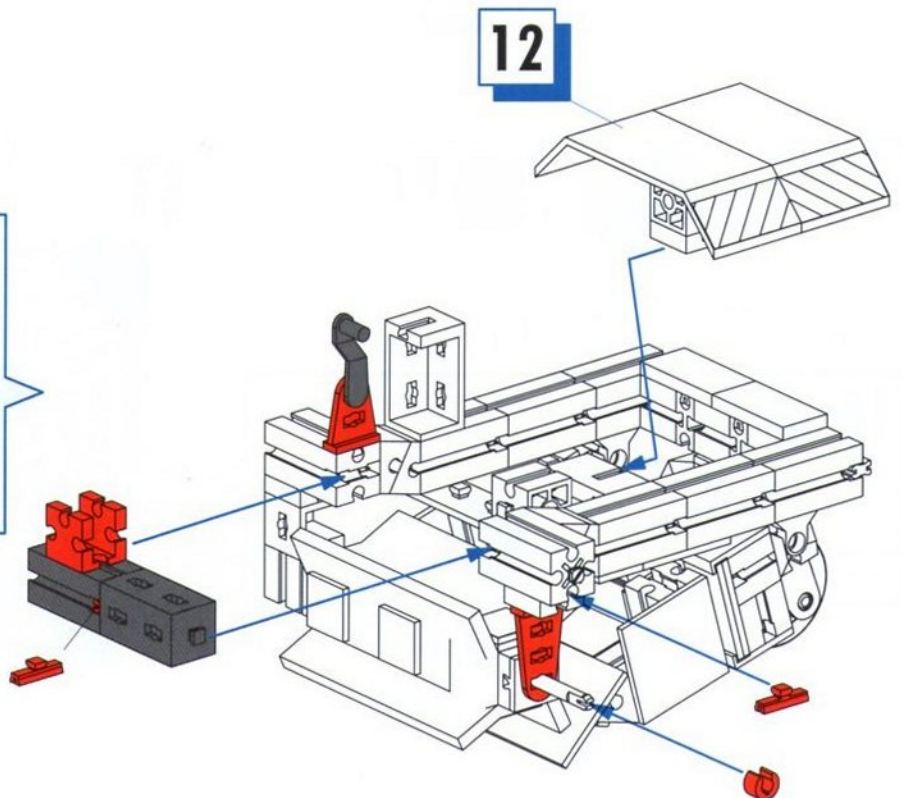
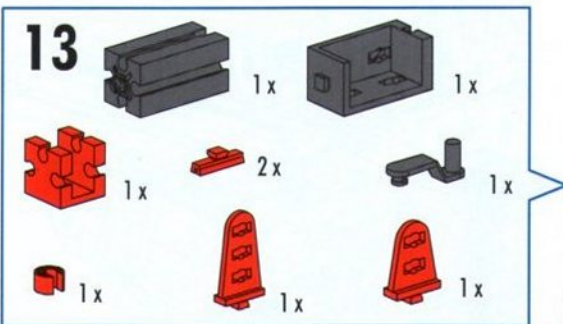
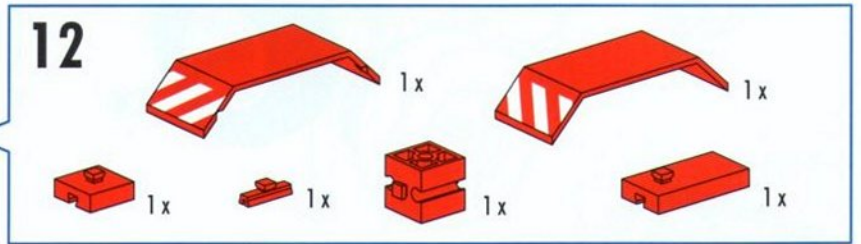
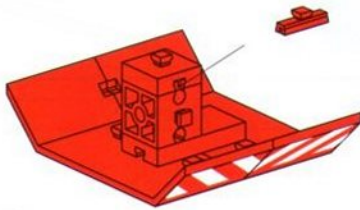
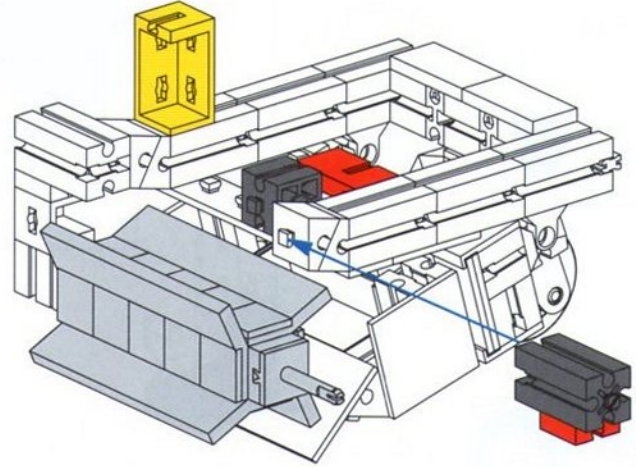
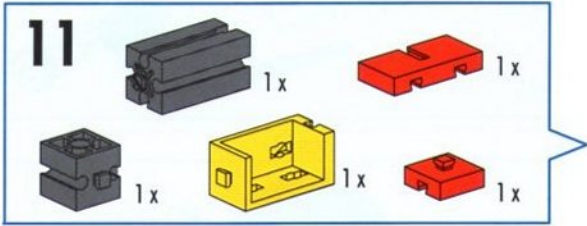


22



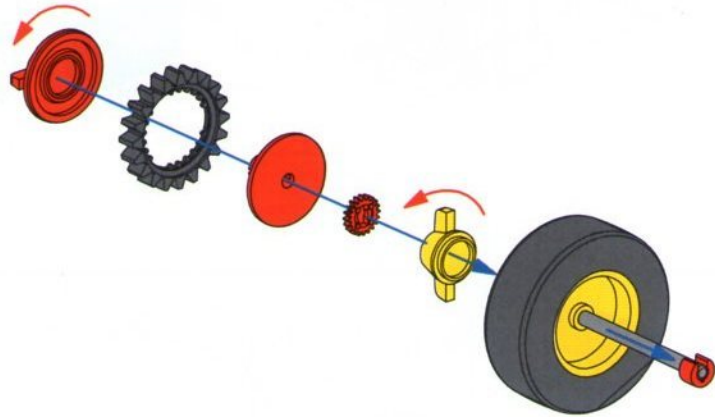
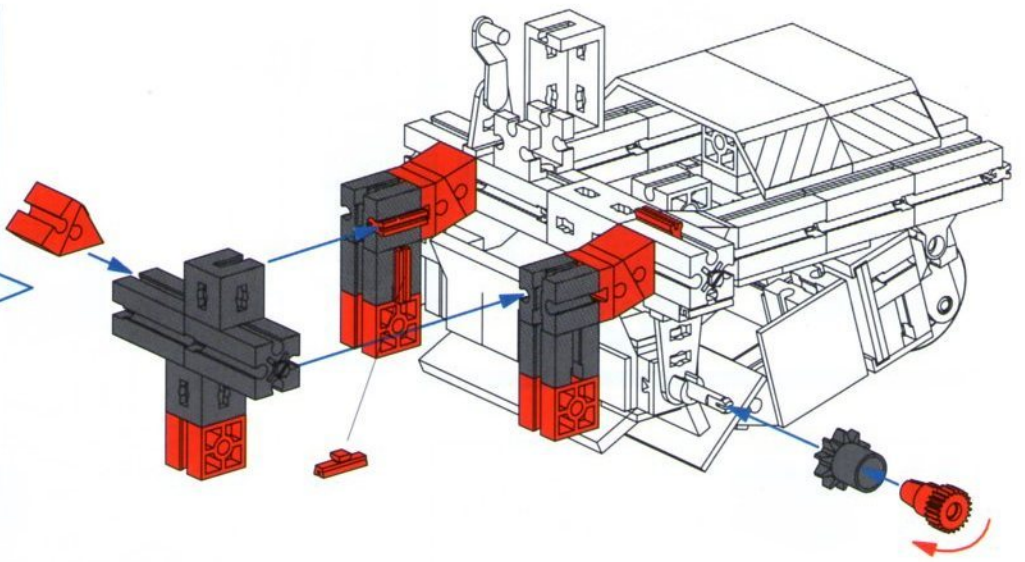
# 1- 10

Seite 3  
 Page 3  
 Page 3  
 Bladzijde 3  
 Pàgina 3  
 Pàgina 3  
 Pàgina 3  
 Страница 3  
 页次 3



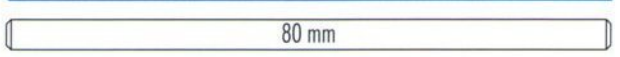
**14**

- 2x (dark grey 1x3 Technic beam)
- 4x (dark grey 1x2 Technic beam)
- 3x (red 1x2 Technic beam)
- 2x (dark grey 1x2 Technic beam)
- 2x (red 1x2 Technic beam)
- 1x (red 60° Technic angle)
- 4x (red 30° Technic angle)
- 1x (red 15° Technic angle)
- 1x (red 1x1 Technic pin)
- 1x (dark grey 1x1 Technic pin)
- 1x (red 1x1 Technic pin)
- 2x (red 1x1 Technic pin)



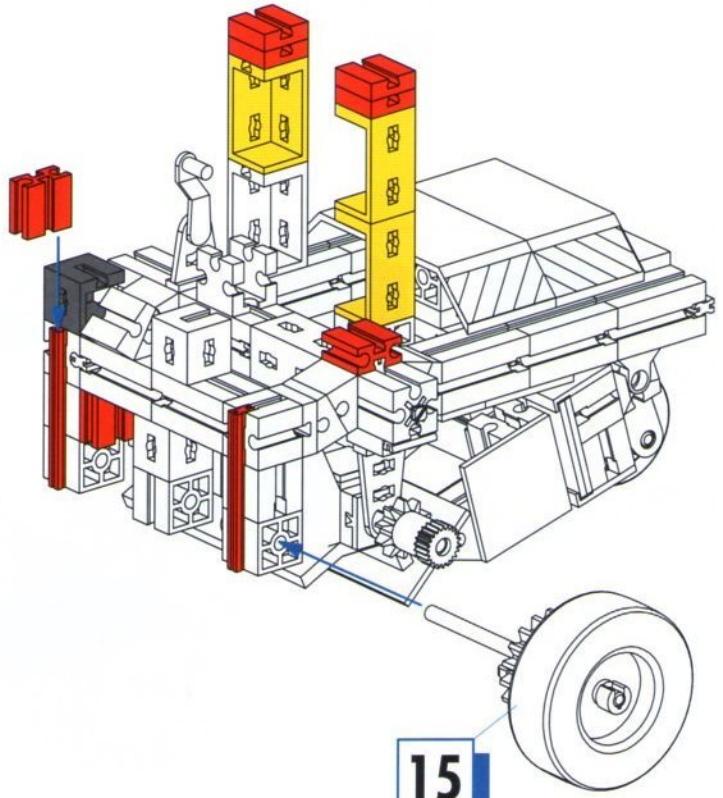
**15**

- 1x (red 1x1 Technic pin)
- 1x (red 1x1 Technic pin)
- 1x (dark grey 1x1 Technic gear)
- 1x (red 1x1 Technic pin)
- 1x (yellow 1x1 Technic pin)
- 1x (red 1x1 Technic pin)
- 1x (dark grey 1x1 Technic gear)
- 1x (black axle)
- 1x (black wheel)

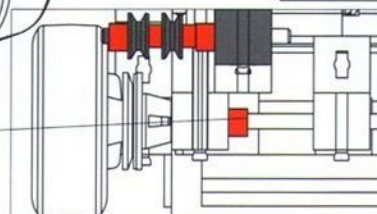
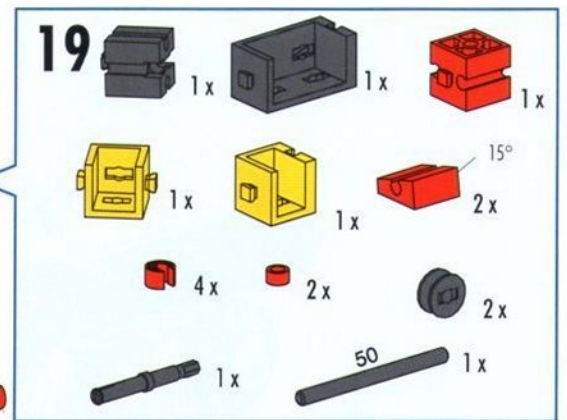
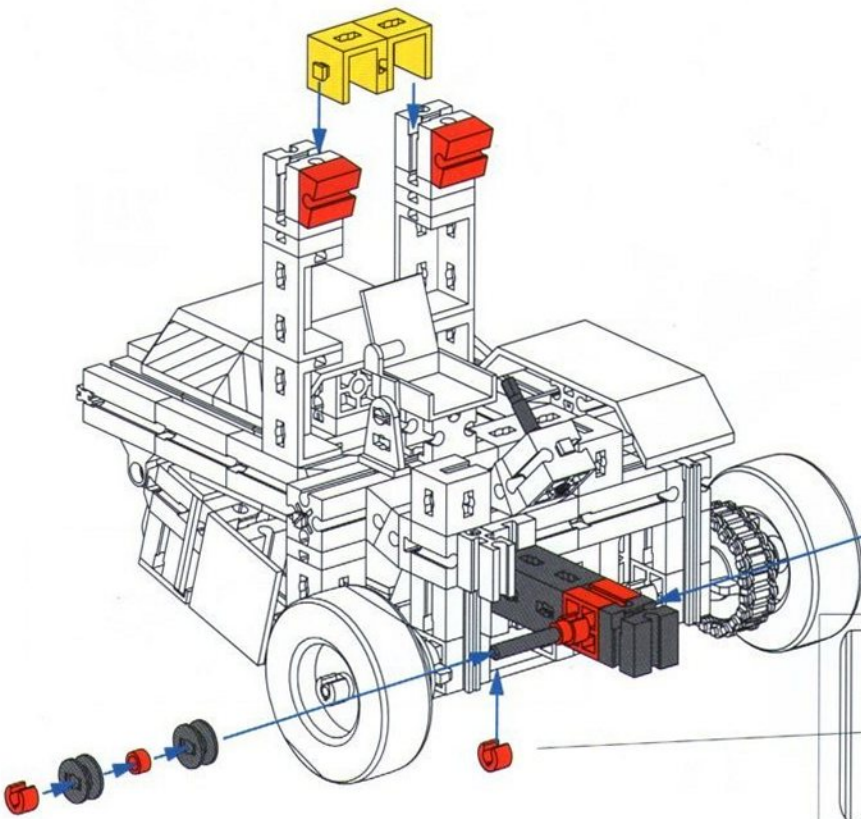
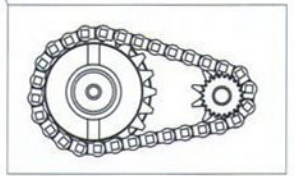
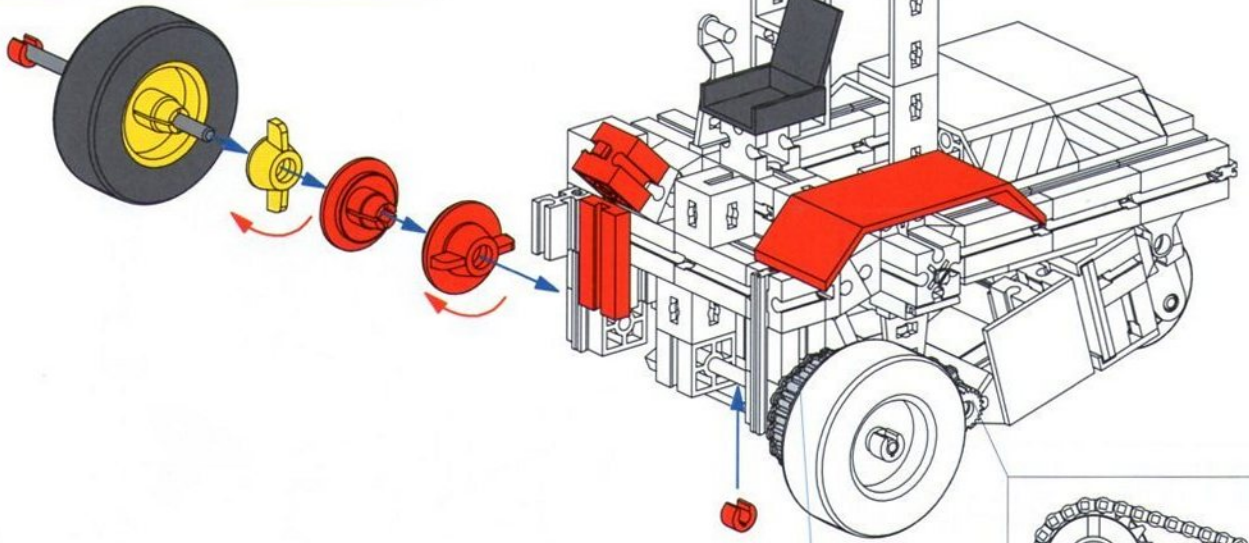
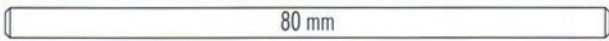
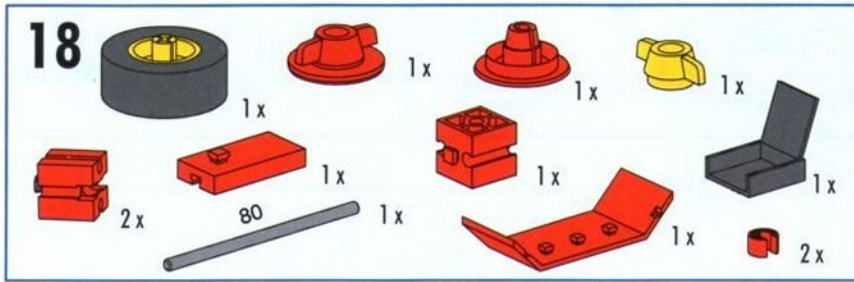
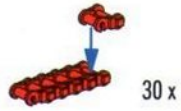


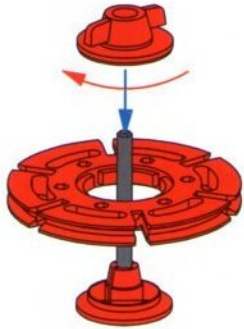
**16**

- 3x (red 1x3 Technic beam)
- 4x (red 1x2 Technic beam)
- 3x (yellow 1x3 Technic beam)
- 2x (red 45 Technic axle)
- 1x (dark grey 1x2 Technic beam)









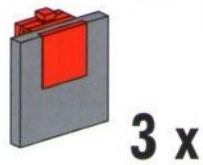
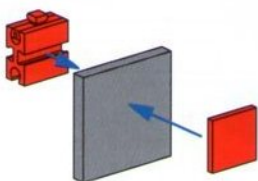
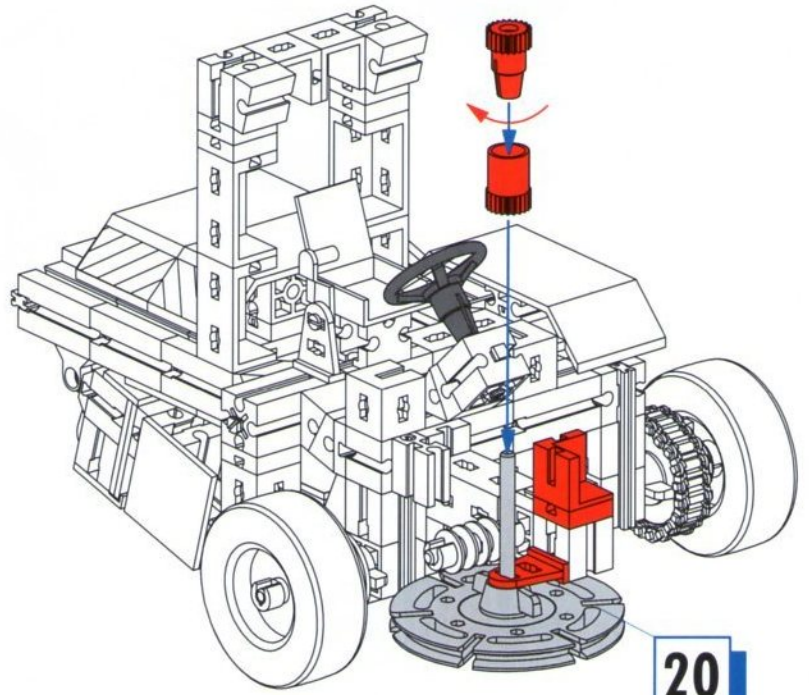
**20**

- 1x (Red circular base)
- 1x (Red cap)
- 1x (Red cap)
- 1x (Grey axle, length 50)

50 mm

**21**

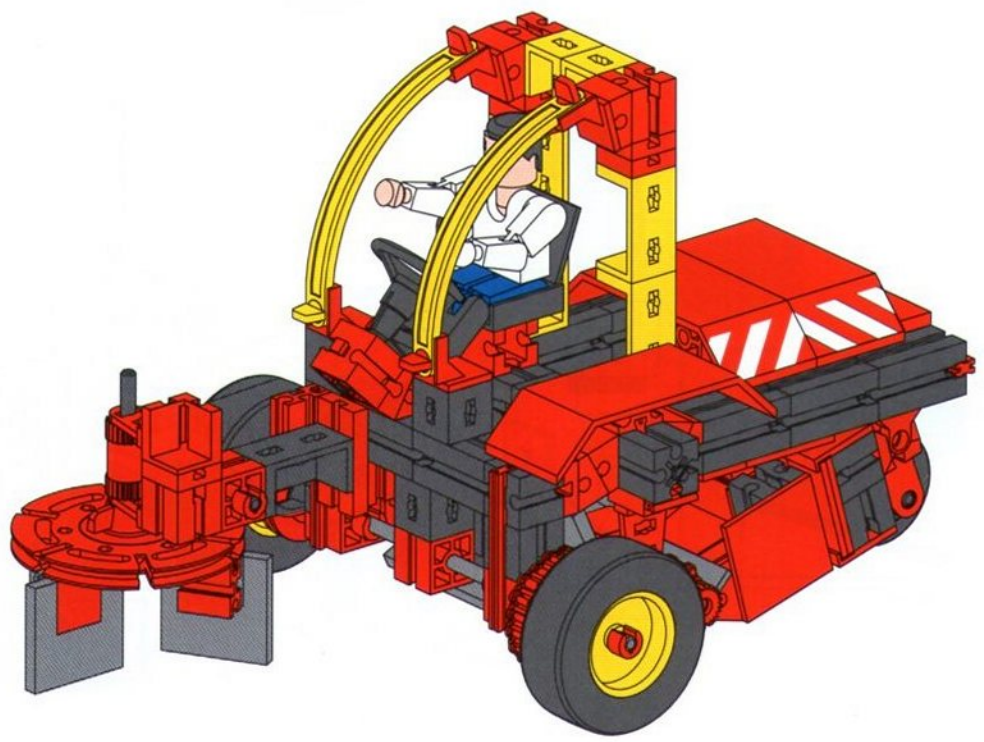
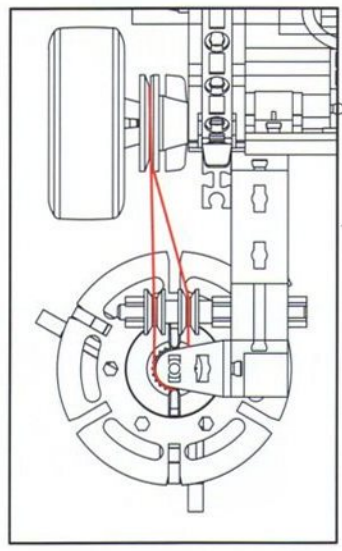
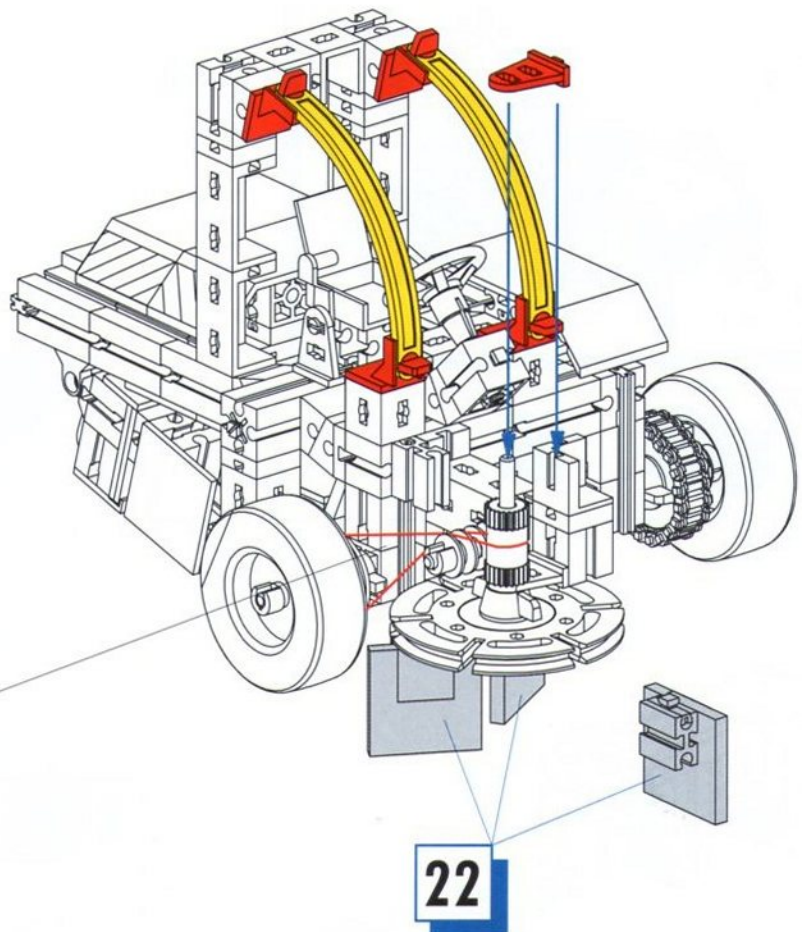
- 1x (Red L-shaped connector)
- 1x (Red 1x2 Technic brick)
- 1x (Red 1x2 Technic brick with hole)
- 1x (Red axle pin)
- 1x (Red axle pin)
- 1x (Grey steering wheel)



**22**

- 3x (Grey 1x2 Technic plate)
- 3x (Red 1x2 Technic brick)
- 3x (Red 1x2 Technic brick with hole)
- 3x (Red 1x2 Technic brick)

- 23**
- 4 x
  - 2 x
  - 4 x
  - 1 x
  - 1 x



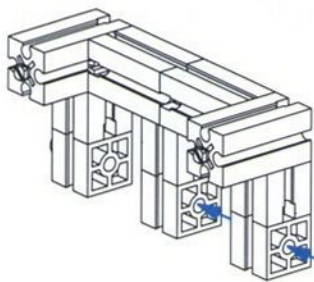
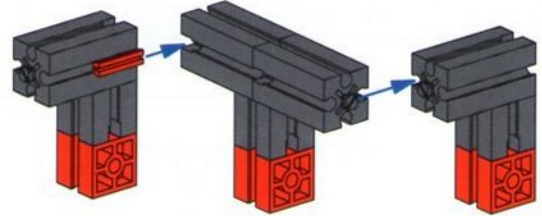
# 1-6

Seite 3  
 Page 3  
 Page 3  
 Bladzijde 3  
 Página 3  
 Pagina 3  
 Pagina 3  
 Страница 3  
 页次 3



**7**

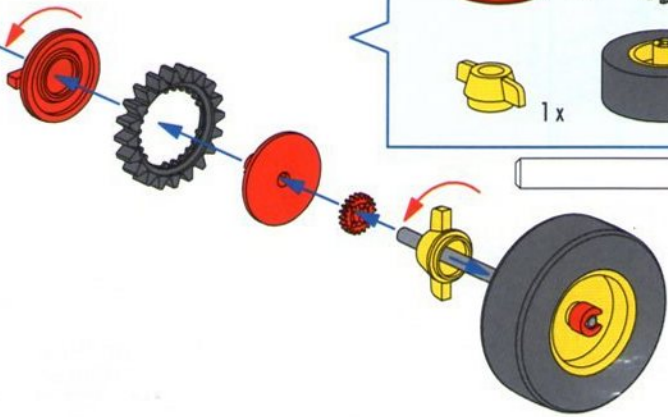
- 4x [Grey Technic Beam 1x3]
- 3x [Grey Technic Beam 1x2]
- 3x [Red Technic Connector 1x2]
- 1x [Red Technic Pin 1x1]



**8**

- 1x [Red Technic Pin 1x1]
- 1x [Black Technic Gear 24]
- 1x [Red Technic Pin 1x1]
- 1x [Red Technic Pin 1x1]
- 1x [Yellow Technic Pin 1x1]
- 1x [Grey Technic Wheel 40]
- 1x [Red Technic Pin 1x1]
- 1x [Grey Technic Pin 80]

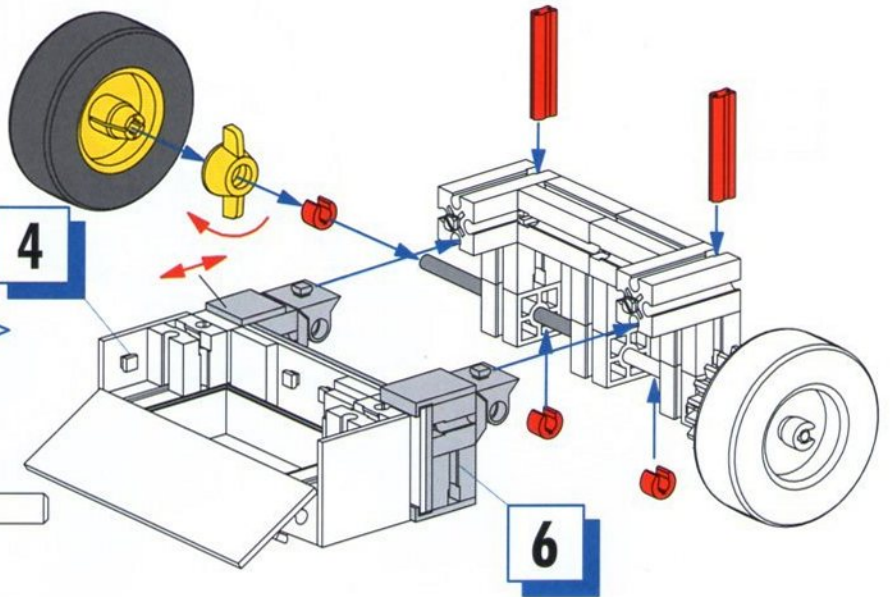
80 mm

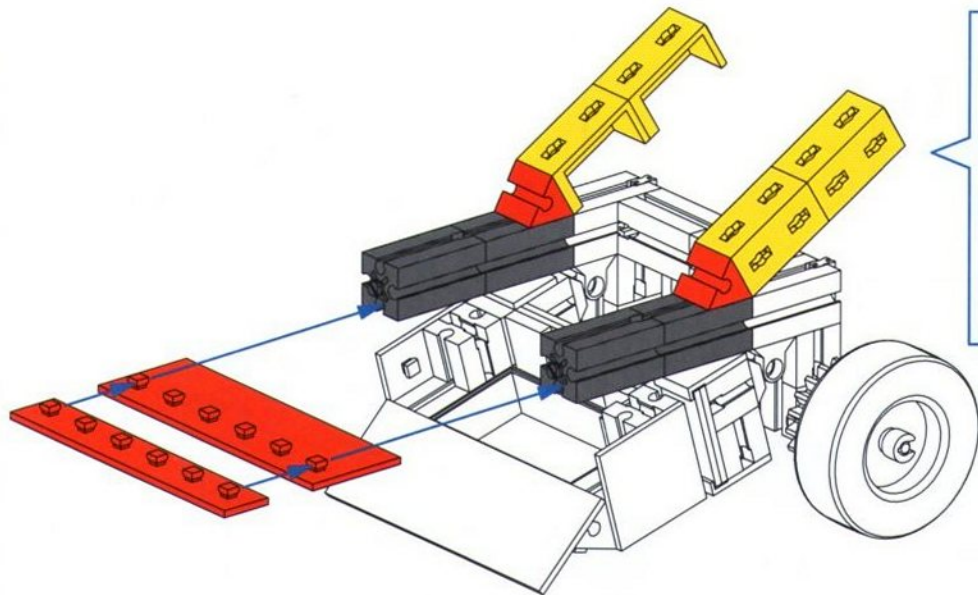


**9**

- 1x [Yellow Technic Pin 1x1]
- 1x [Grey Technic Wheel 40]
- 3x [Red Technic Pin 1x1]
- 2x [Red Technic Pin 30]
- 1x [Grey Technic Pin 80]

80 mm





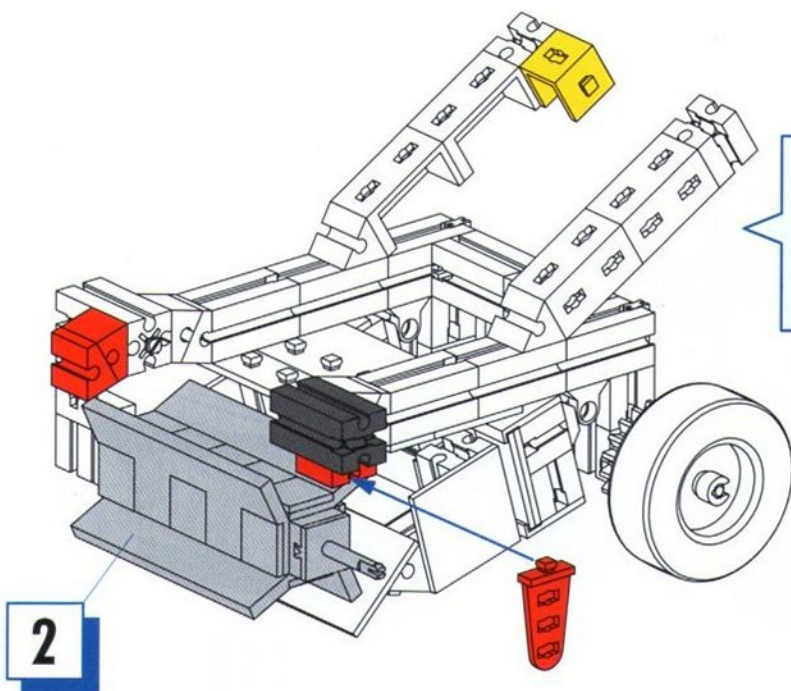
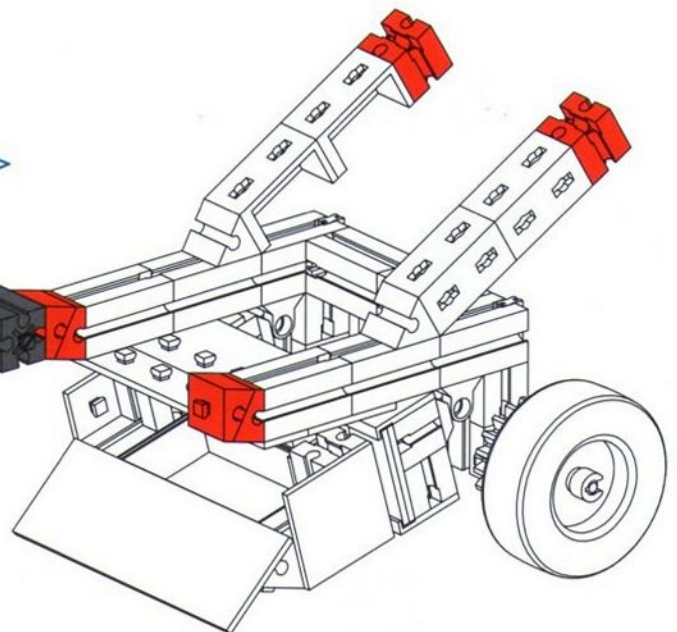
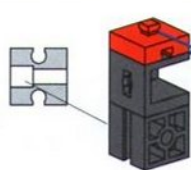
**10**

- 4 x Black Technic axle
- 4 x Yellow Technic axle
- 1 x Red Technic beam 1x7
- 1 x Red Technic beam 1x5
- 2 x Red Technic bush 60°

**11**

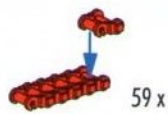
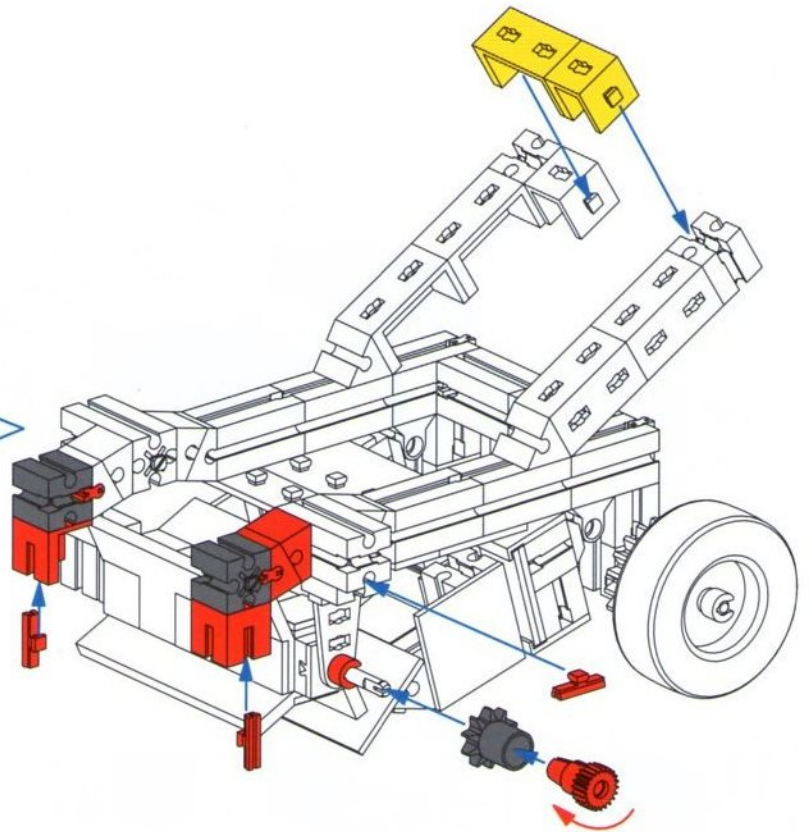
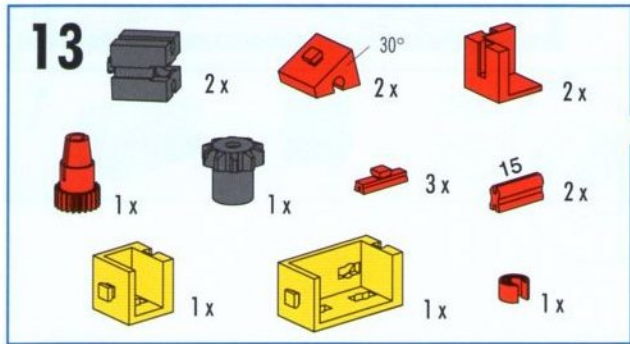
- 1 x Black Technic axle
- 2 x Red Technic bush 30°
- 1 x Black Technic axle
- 1 x Black Technic axle
- 1 x Red Technic bush 30°
- 4 x Red Technic bush 30°

Große Bohrung  
 Large drilling  
 Alésage large  
 Grote boring  
 Perforación grande  
 Orificio grande  
 Grande foro  
 Большое отверстие  
 大孔

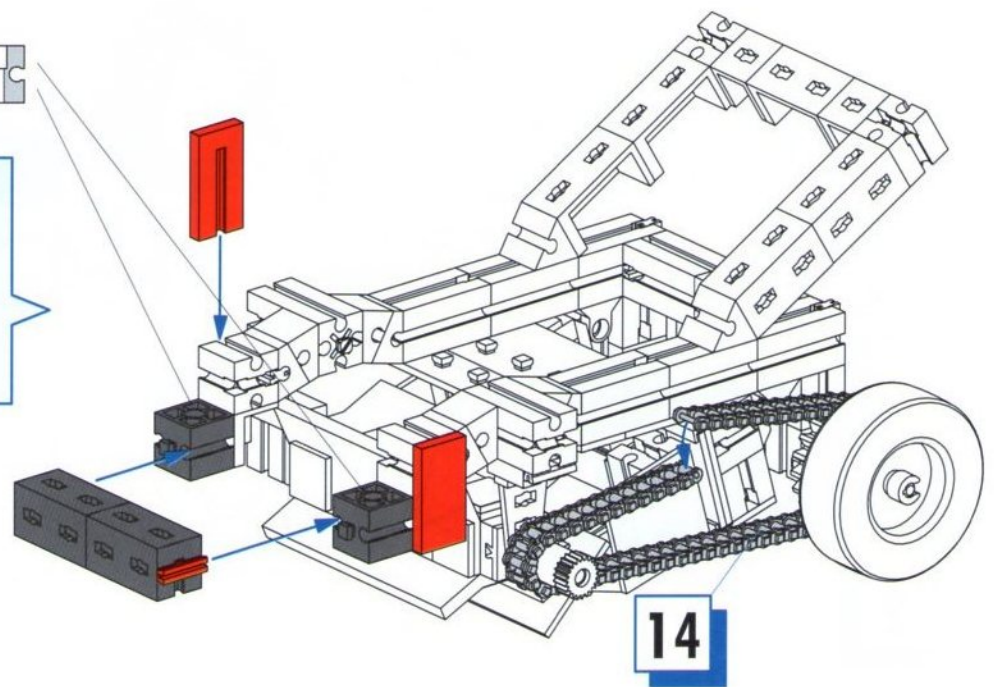
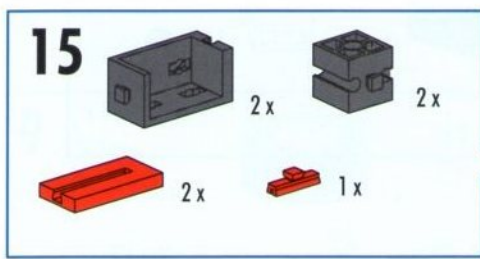


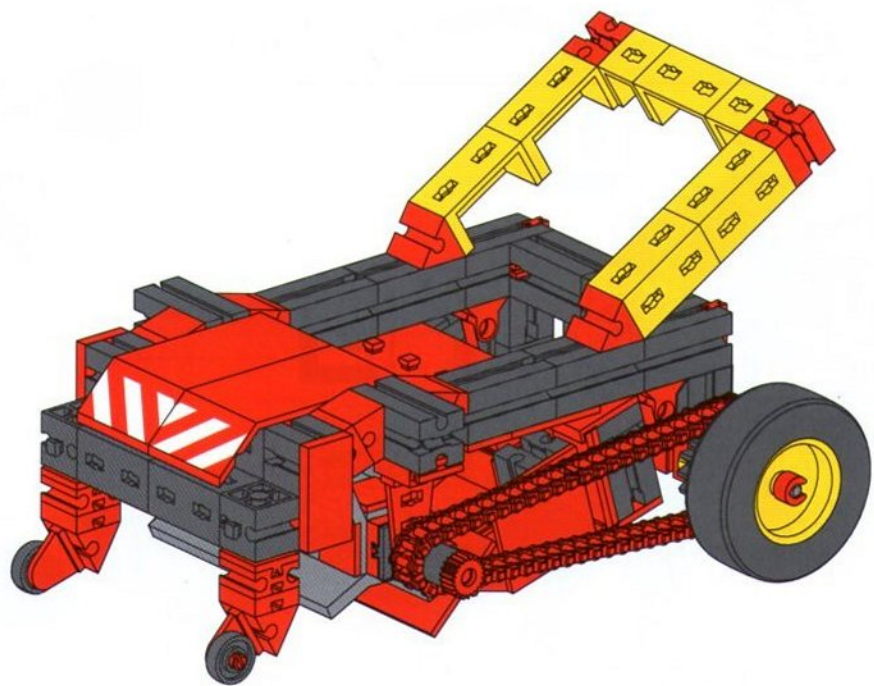
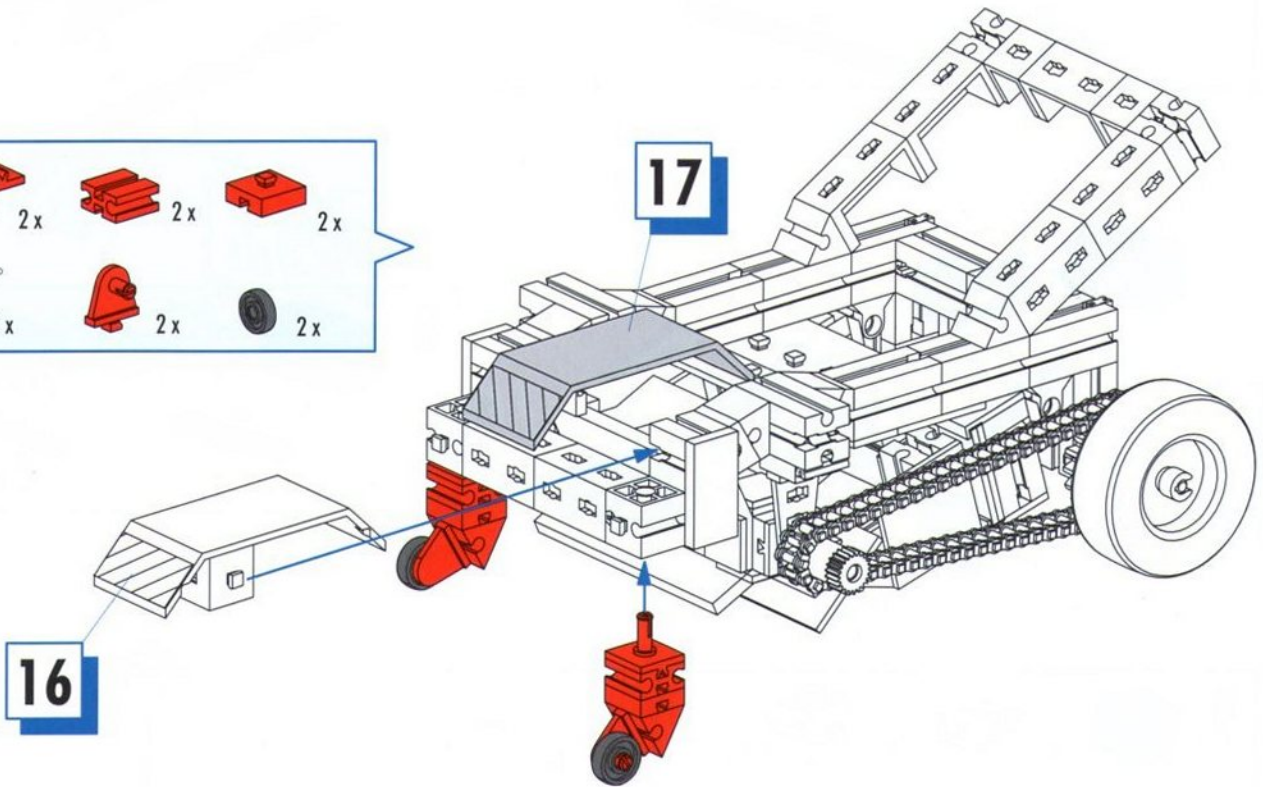
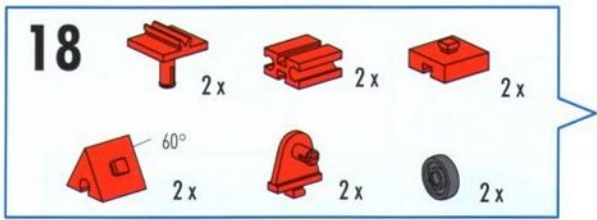
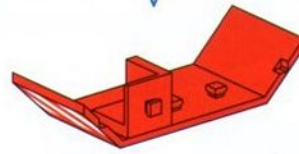
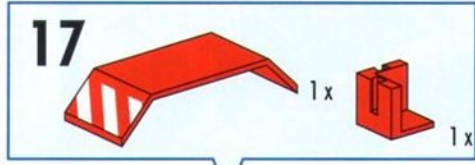
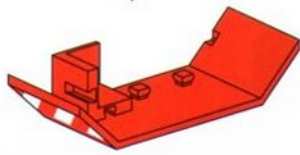
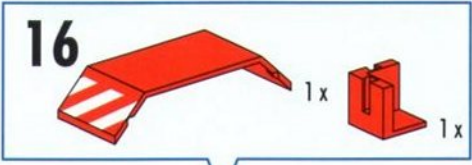
**12**

- 1 x Black Technic axle
- 1 x Yellow Technic axle
- 2 x Red Technic bush 30°
- 1 x Red Technic bush 30°
- 1 x Red Technic bush 30°



Große Bohrung  
 Large drilling  
 Alésage large  
 Grote boring  
 Perforación grande  
 Orificio grande  
 Grande foro  
 Большое отверстие  
 大孔

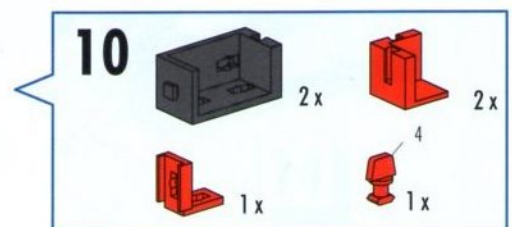
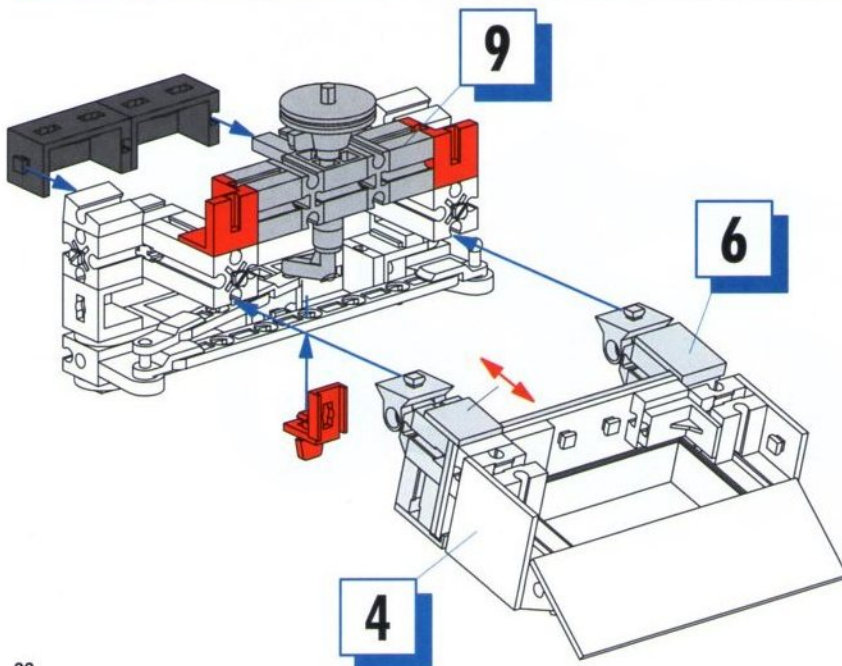
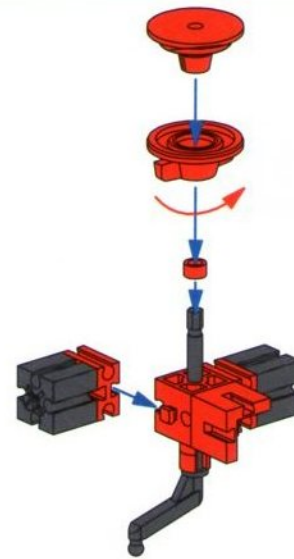
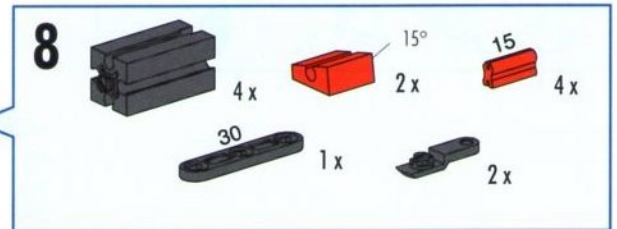
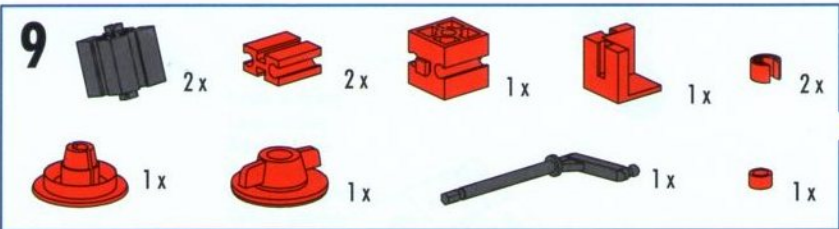
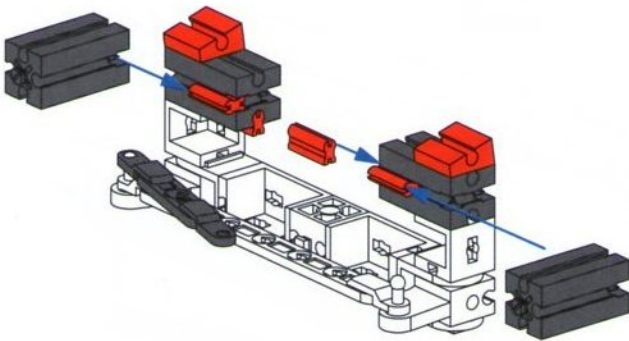
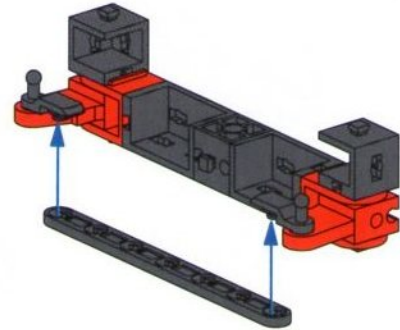
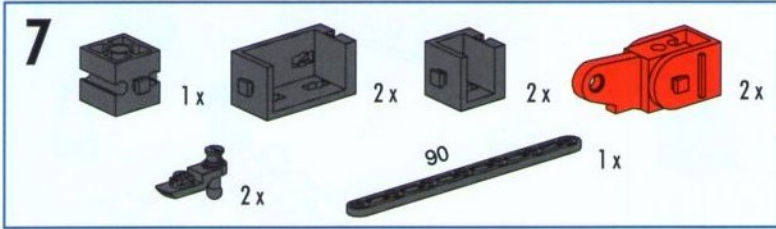




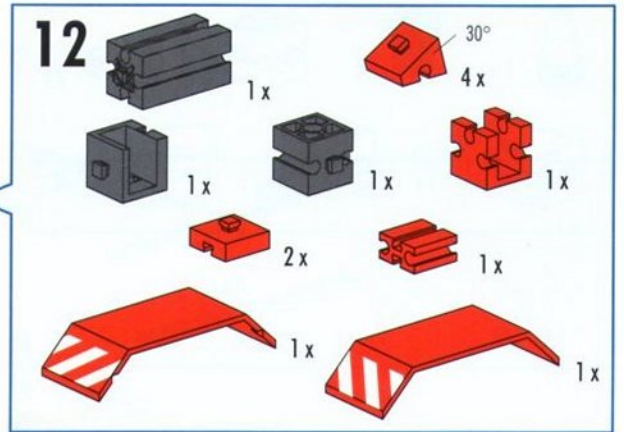
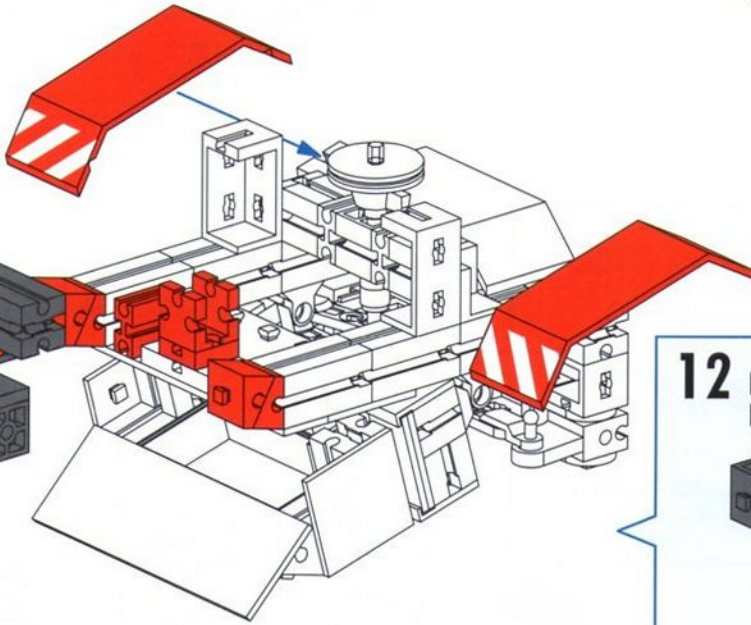
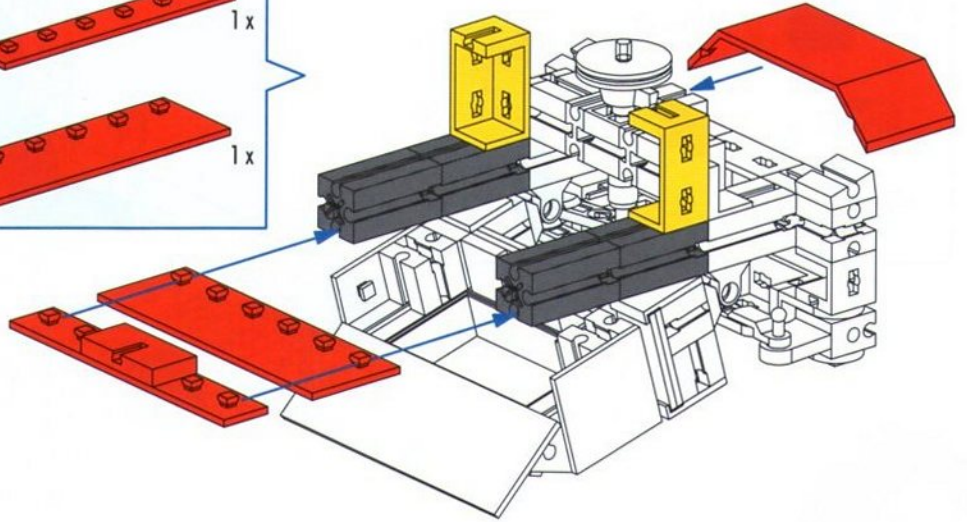
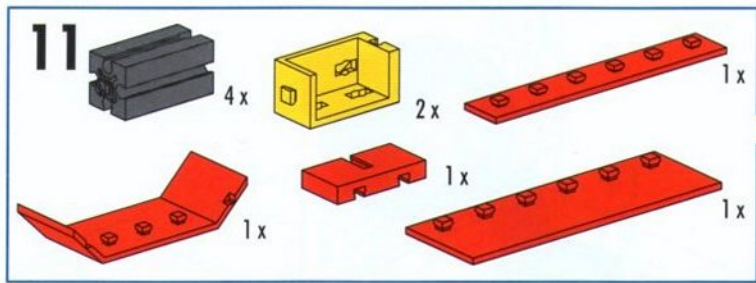


# 1-6

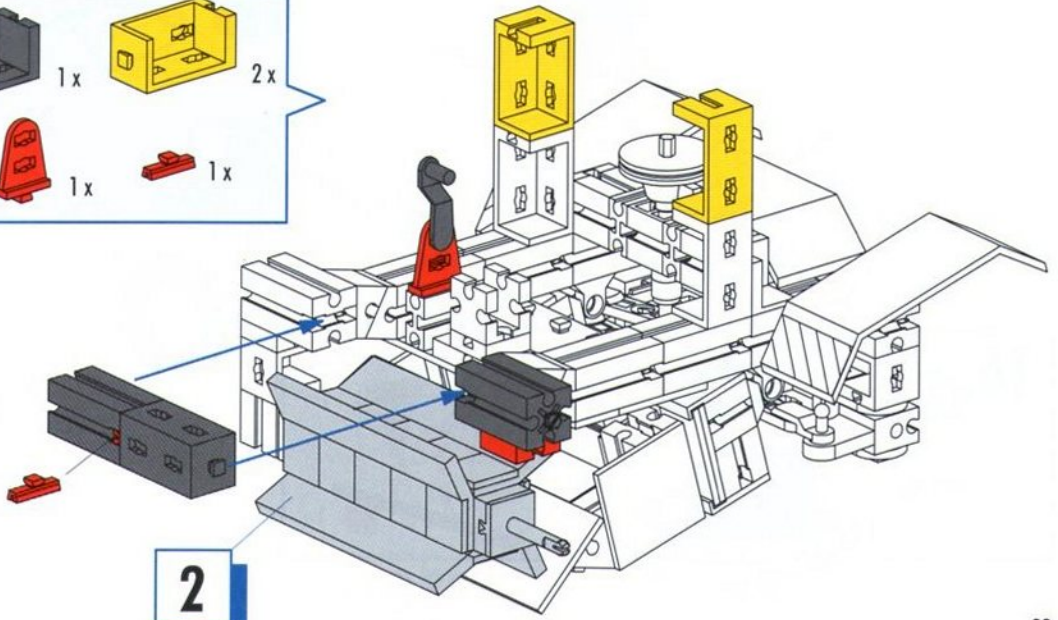
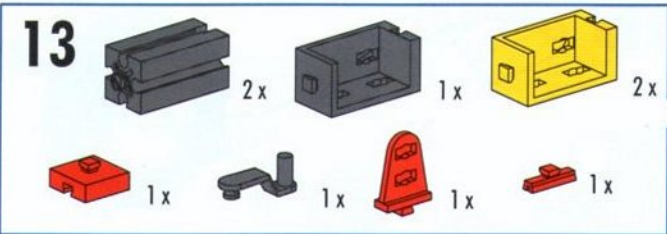
Seite 3  
 Page 3  
 Page 3  
 Bladzijde 3  
 Página 3  
 Pagina 3  
 Pagina 3  
 Страница 3  
 页次 3







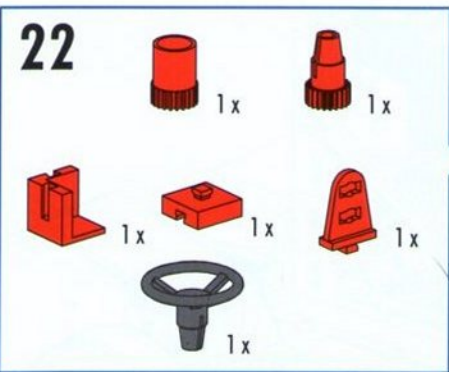
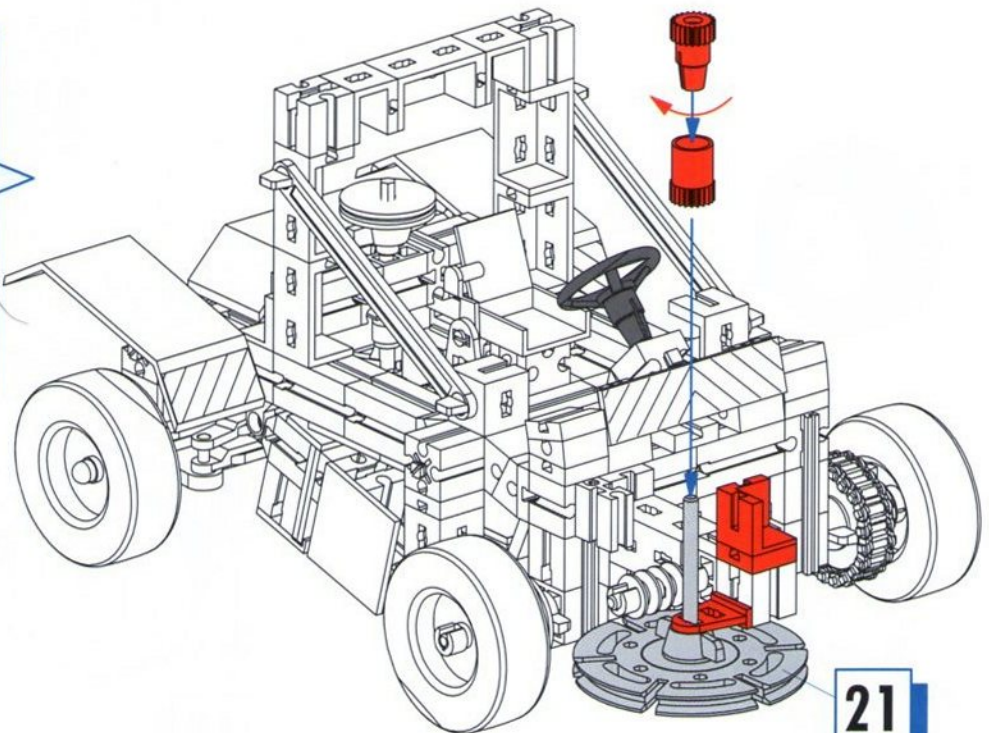
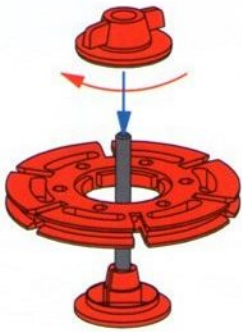
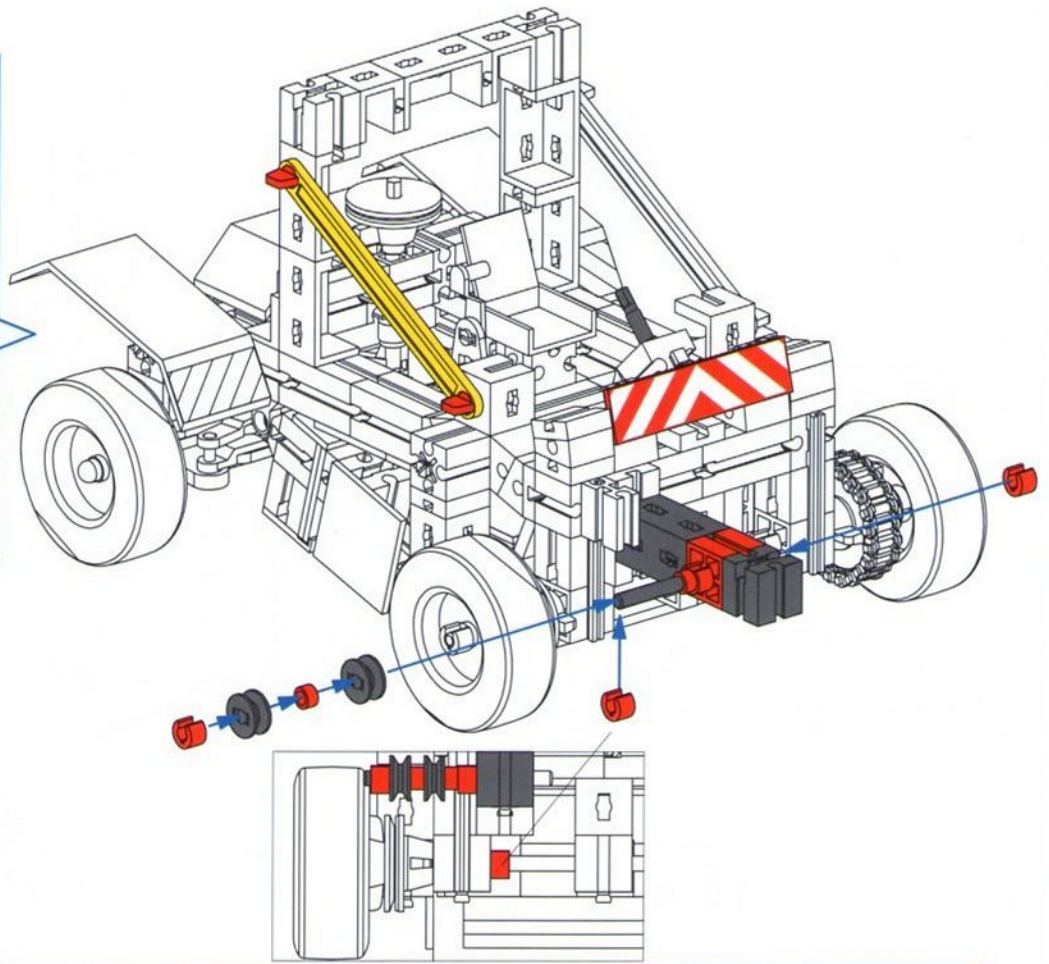
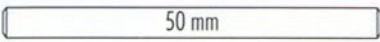
Große Bohrung  
 Large drilling  
 Alésage large  
 Grote boring  
 Perforación grande  
 Orificio grande  
 Grande foro  
 Большое отверстие  
 大孔



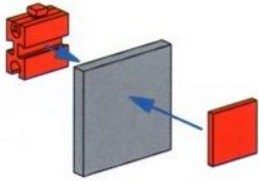
**2**





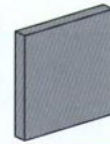


**21**



3 x

23



3 x



3 x



3 x



3 x

24



1 x



1 x



4 x



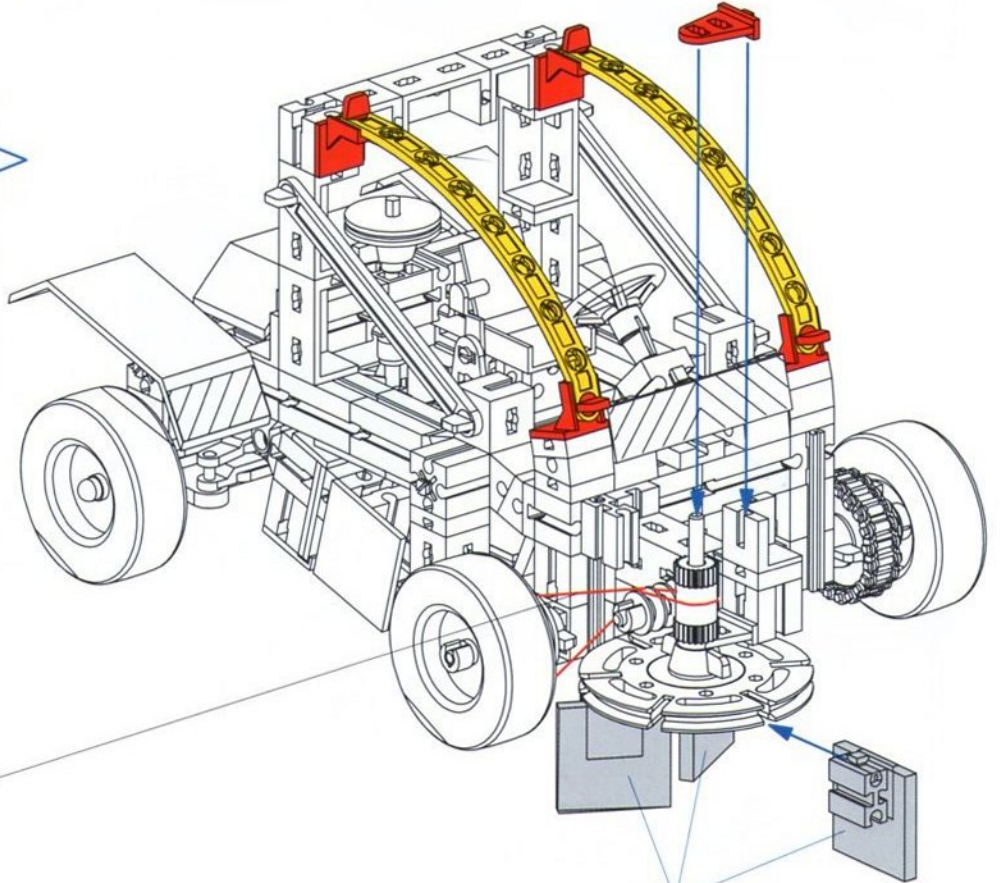
4

4 x

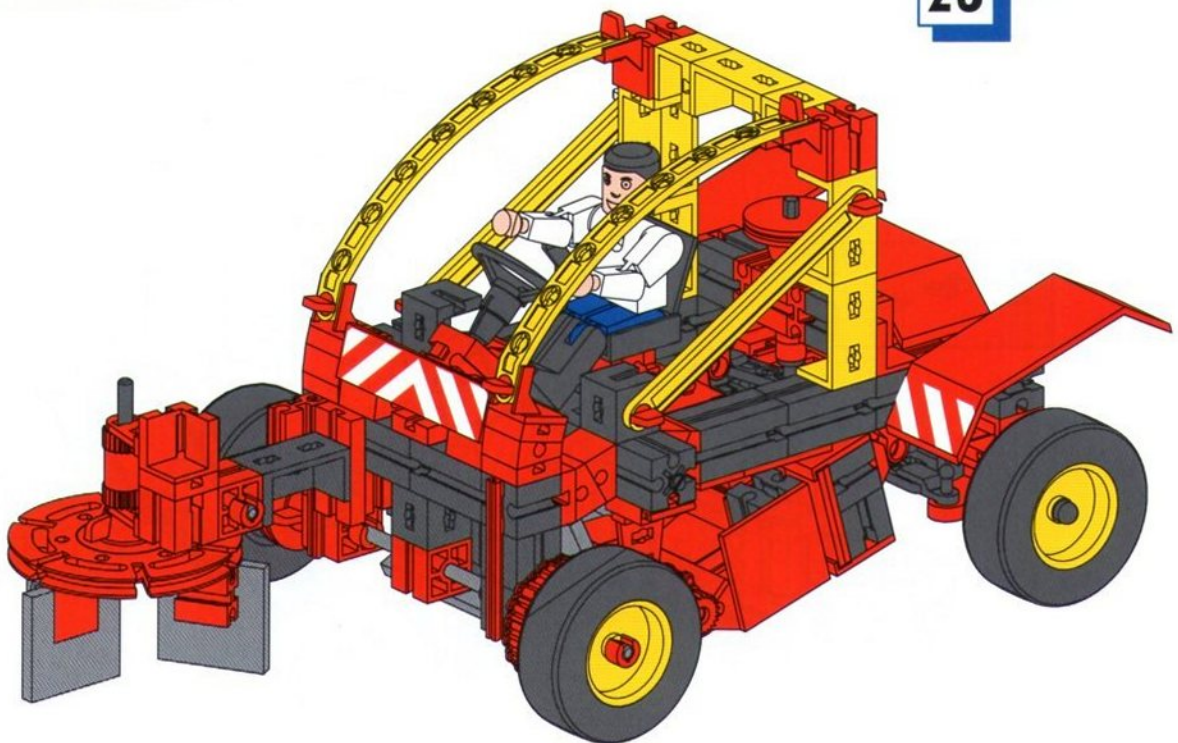
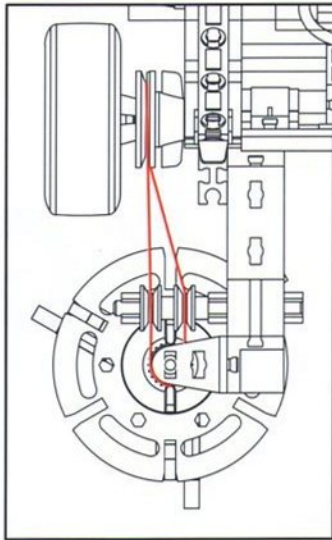


120

2 x



23

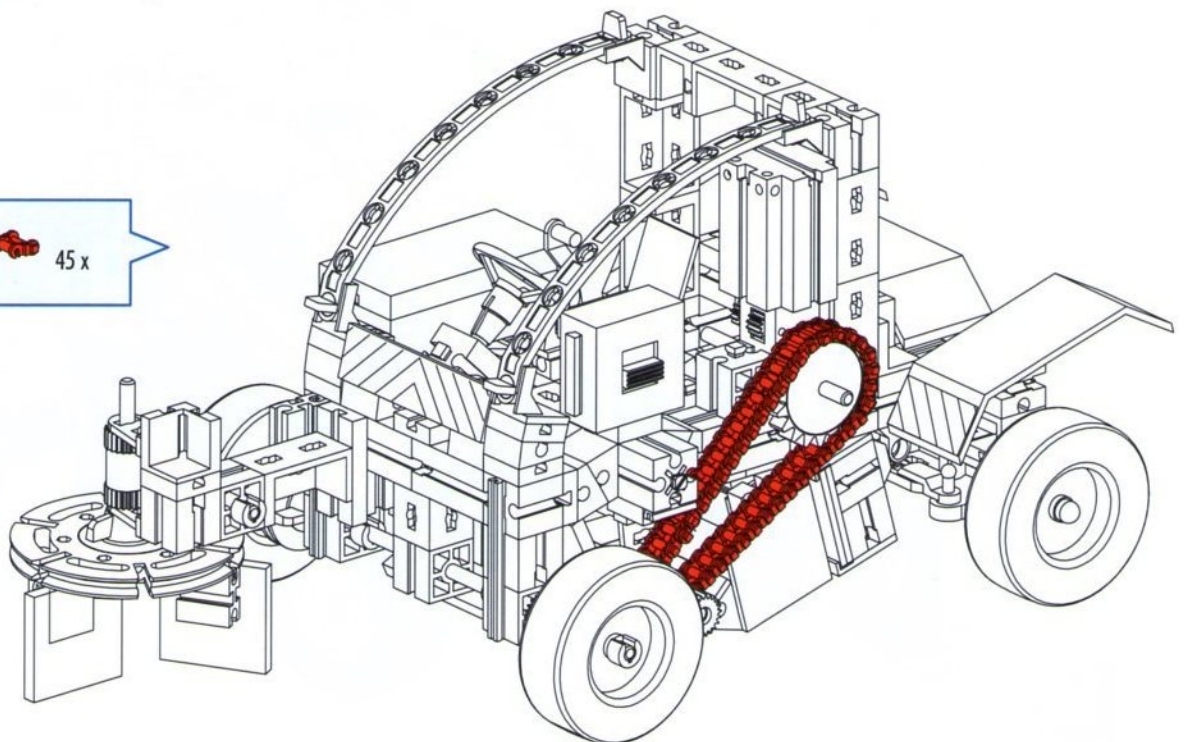
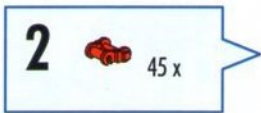
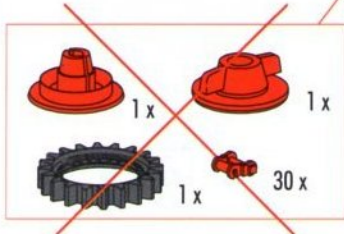
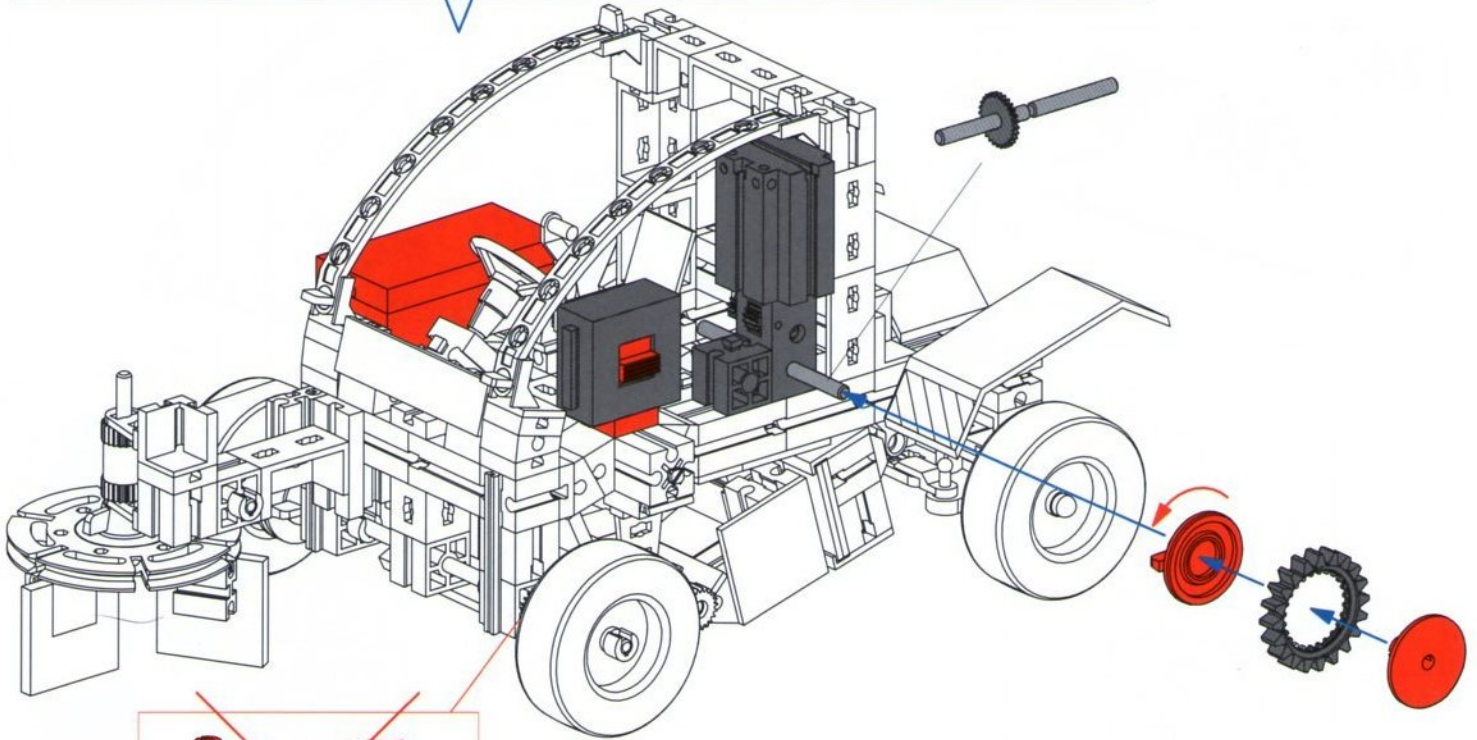
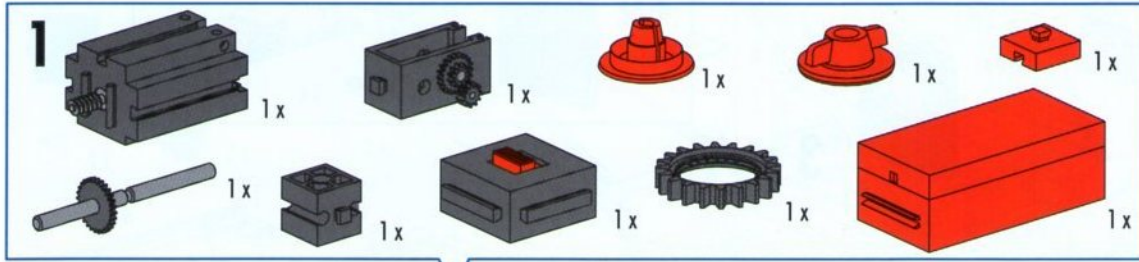


Motorisierung  
Motorization  
Motorisation

Motorisering  
Motorización  
Motorizaçao

Motorizzazione  
Моторизация  
机动化

Mini Motor  
Set  
30342



fischertechnik GmbH  
Weinhalde 14-18  
72178 Waldachtal  
Germany  
Phone +49 74 43/12-43 69  
Fax +49 74 43/12-45 91  
info@fischertechnik.de  
www.fischertechnik.de

**fischertechnik** 

**ADVANCED**

