



fischertechnik 

ADVANCED

Bauanleitung
Assembly instruction
Instructions de montage
Bouwhandleiding
Instrucciones de construcción
Manual de montagem
Istruzioni di montaggio
Инструкция по сборке
安装说明书



Trucks

5 MODELS

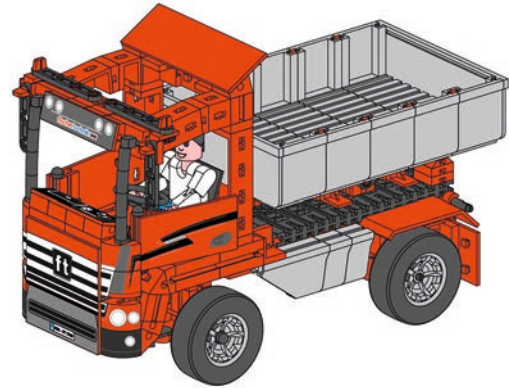
Inhalt
Contents
Contenu

Inhoud
Contenido
Conteúdo

Contenuto
Содержание
目录

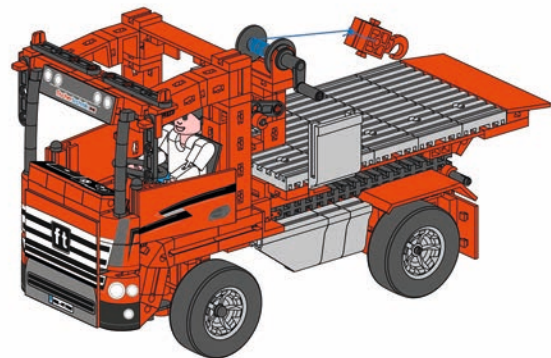
Einzelteilübersicht / Spare parts list / Liste des pièces détachées / Onderdelenoverzicht / Lista da piezas / Resumo de peça individual / Singoli componenti / Перечень деталей / 零件概览 1

Montagetips / Tips for assembly / Tuyaux pour le montage / Montagetips / Consejos para el montaje / "Dicas" para montagem / Consigli per il montaggio / Советы по сборке / 装配建议 2



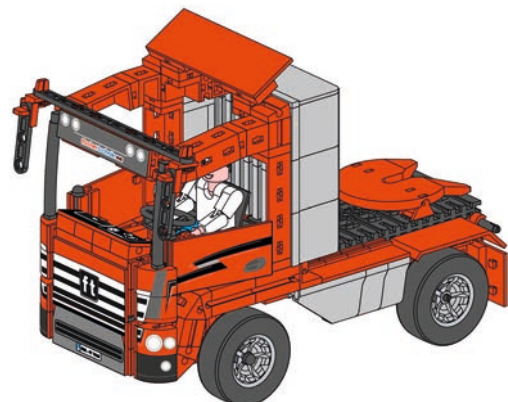
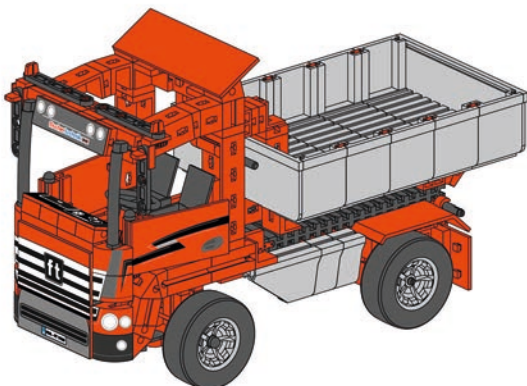
LKW-Basismodell / Truck basic model / Camion de base / Basismodel voor vrachtwagens / Modelo básico del camión / Caminhão-Modelo básico / Modello base autocarro / Базовая модель грузового автомобиля / 卡车基本模型 4

Kipper / Kipper truck / Benne basculante / Kiepwagen / Camión volquete / Caminhão com caçamba basculante / Ribaltabile / Самосвал / 翻斗车 16



LKW mit Ladekran / Truck with lifting crane / Camion avec grue de chargement / Vrachtwagen met laad- en loskraan / Camión con grúa de carga / Caminhão com guincho de carregamento / Autocarro con gru di carico / Грузовой автомобиль с погрузочным краном / 带装载起重机的卡车 21

Abschleppwagen / Tow truck / Dépanneusekraanwagen / Coche-grúa / Carro reboque / Carro attrezzi / Автомобиль-эвакуатор / 牵引车 28




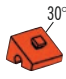

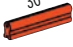













Container Truck / Контейнеровоз / 集装箱拖车 33

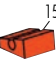



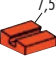



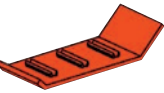




Sattelzugmaschine / Tractor unit / Véhicule tracteur / Truck met oplegger / Vehículo tractor / Veículo trator / Trattore per semirimorchio / Седельный тягач / 鞍式牵引车 37

Einzelteilübersicht
Spare parts list
Liste des pièces détachées

Onderdelenoverzicht
Lista da piezas
Resumo de peça individual







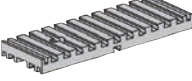












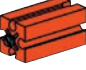


Singoli componenti
Перечень деталей
零件概览

	31 010 4 x
	31 011 4 x
	31 060 5 x
	31 061 10 x
	31 263 1 x
	31 330 3 x
	31 426 2 x
	31 436 2 x
	31 597 2 x
	31 670 2 x
	31 690 1 x
	31 766 2 x
	31 843 2 x
	31 848 6 x
	31 888 2 x
	31 894 1 x
	31 915 1 x

	31 916 1 x
	31 981 14 x
	31 982 40 x
	31 983 3 x
	32 064 13 x
	32 071 6 x
	32 852 1 x
	32 870 5 x
	32 913 4 x
	35 033 2 x
	35 039 1 x
	35 049 10 x
	35 050 2 x
	35 061 1 x
	35 062 1 x
	35 063 1 x
	35 067 1 x

	35 069 1 x
	35 070 1 x
	35 088 1 x
	35 129 2 x
	35 414 2 x
	35 806 1 x
	35 973 1 x
	35 977 1 x
	35 998 2 x
	36 323 5 x
	36 324 2 x
	36 334 5 x
	36 819 1 x
	36 912 5 x
	36 913 4 x
	36 914 1 x

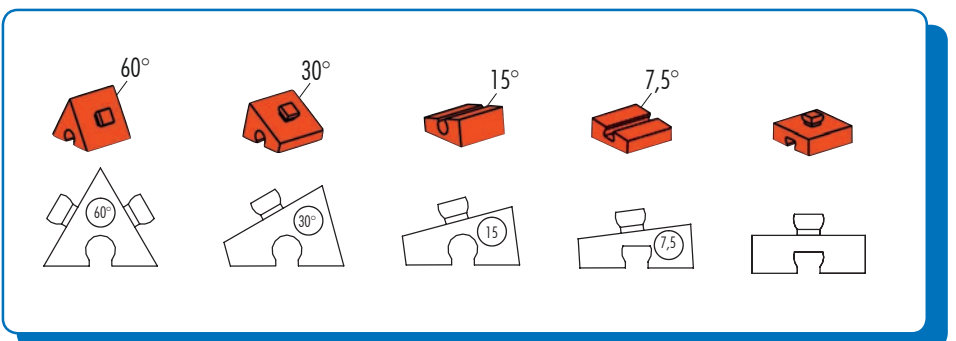
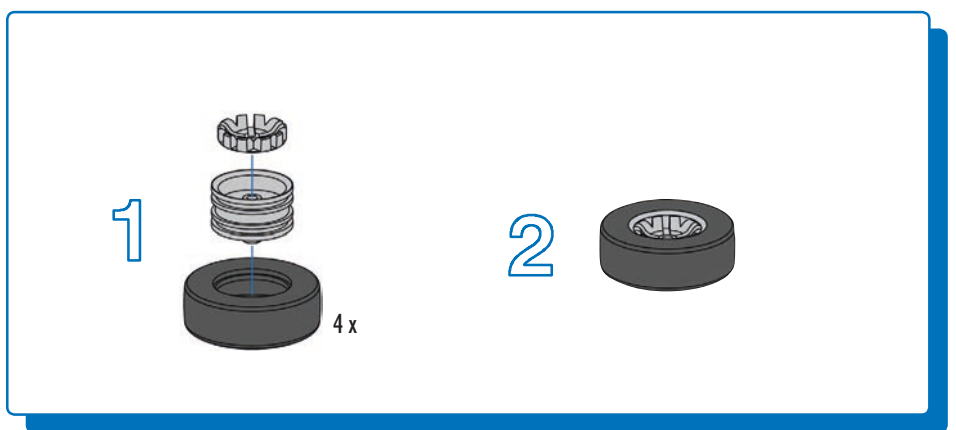
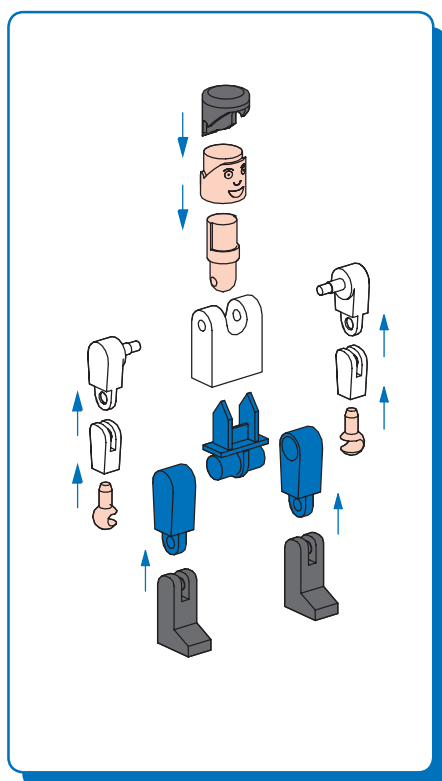
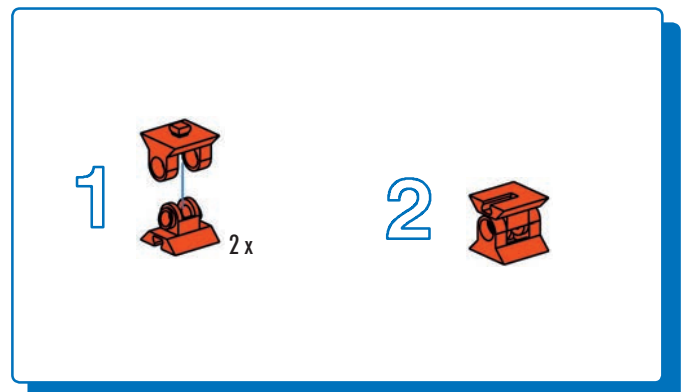
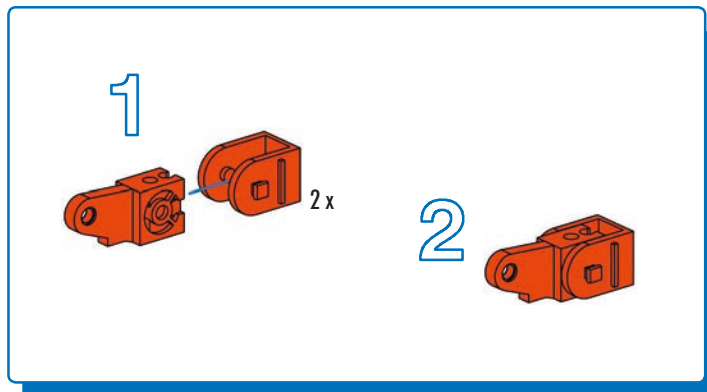
	37 237 30 x
	37 468 41 x
	37 636 3 x
	37 679 8 x
	38 225 1 x
	38 240 10 x
	38 241 6 x
	38 242 3 x
	38 244 1 x
	38 246 2 x
	38 249 4 x
	38 251 1 x
	38 259 2 x
	38 413 2 x
	38 415 1 x
	38 423 7 x
	38 428 6 x

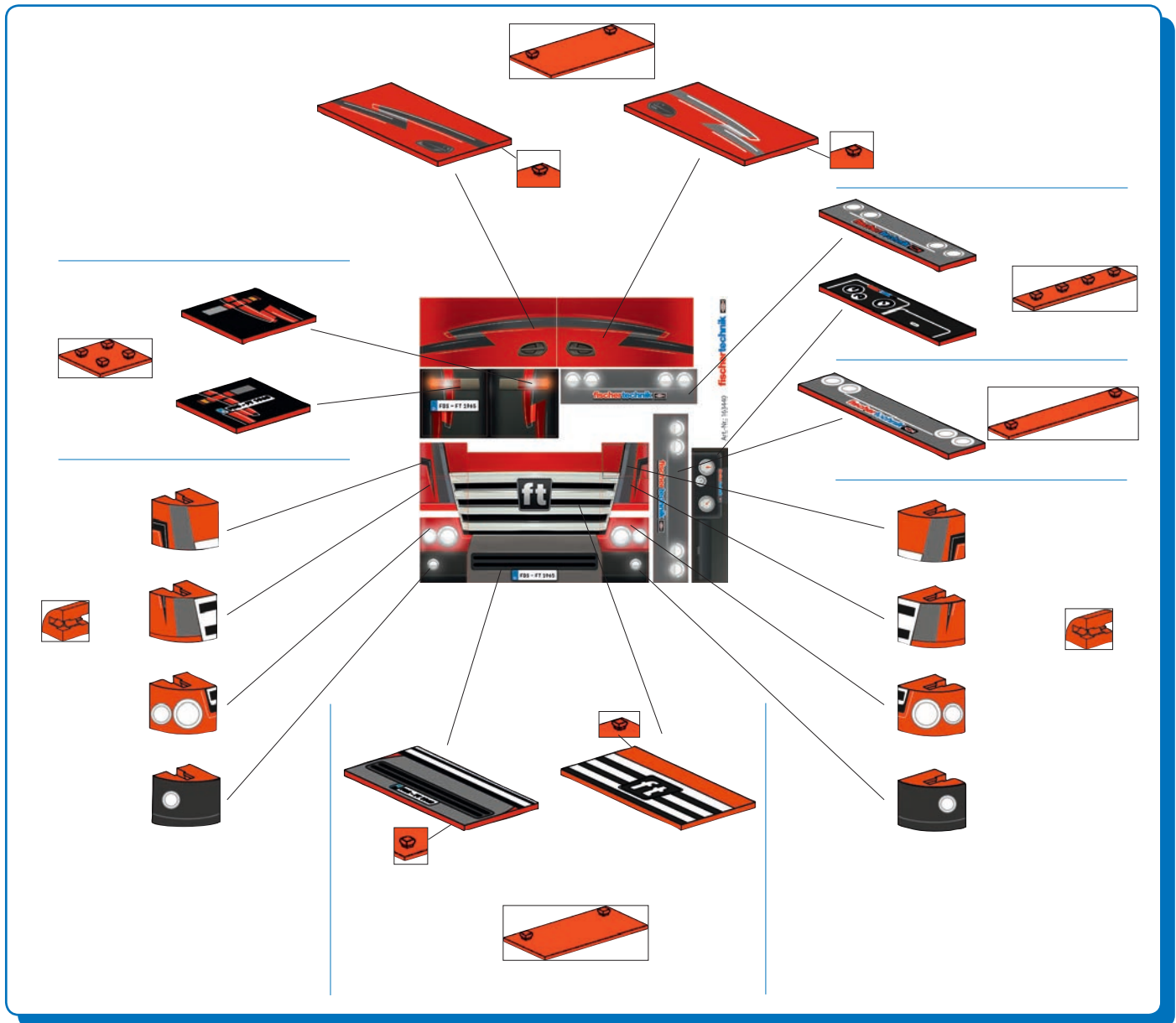
	38 446 2 x		116 252 12 x		163 204 2 x		163 438 4 x
	38 464 6 x		116 913 4 x		163 433 5 x		163 440 1 x
	38 472 1 x		127 471 4 x		163 434 2 x		163 519 2 x
	38 546 1 x		127 472 7 x		163 435 10 x		163 605 4 x
	78 728 2 x		163 201 8 x		163 436 1 x		
	116 251 4 x		163 203 2 x		163 437 1 x		

Montagetipps
Tips for assembly
Tuyaux pour le montage

Montagetips
Consejos para el montaje
"Dicas" para montagem

Consigli per il montaggio
Советы по сборке
装配建议





Sicherheitshinweise
Safety Information
Consignes de sécurité

Veiligheidsrichtlijnen
Indicaciones de seguridad
Observações sobre segurança

Informazioni per la sicurezza
Указания по технике безопасности
安全指南

- Alle Einzelteile, insbesondere bewegliche Teile sind falls notwendig zu warten und zu reinigen.
- All components, especially moving parts, should be maintained and cleaned as necessary.
- Toutes les pièces détachées et en particulier les pièces mobiles, sont, si nécessaire, à entretenir et à nettoyer.
- Alle onderdelen, vooral de bewegende delen, kunnen, indien noodzakelijk, onderhouden en gereinigd worden.
- Es necesario limpiar y mantener en buen estado todas las diferentes piezas - especialmente las piezas móviles.
- Caso necessário, todas as peças individuais, especialmente peças móveis, tem que ser submetidas à manutenção e ser limpas.
- Se necessario, tutti i singoli componenti, soprattutto le parti mobili, si devono eventualmente sottoporre a manutenzione e pulizia.
- Все детали, особенно подвижные, требуют ухода и чистки.
- 必要时应保养和清洁所有零件，尤指运动部件。

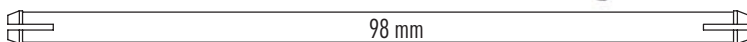
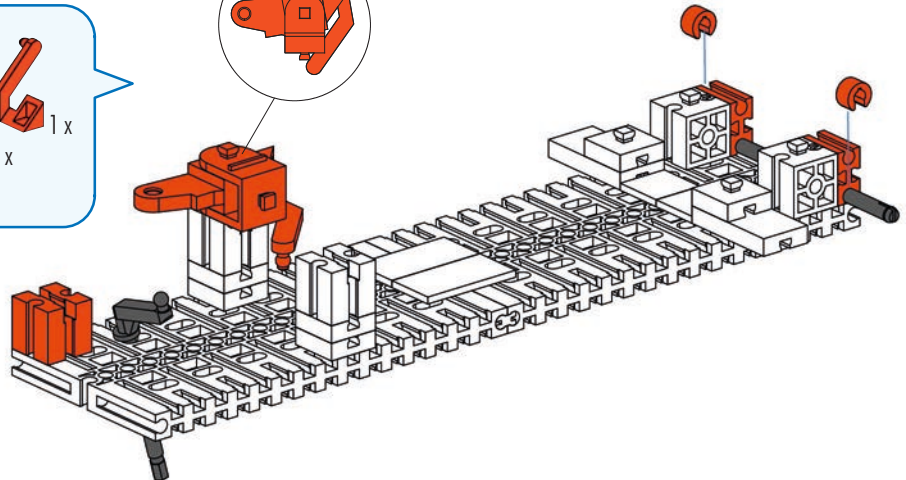
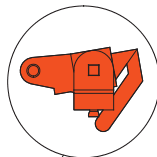
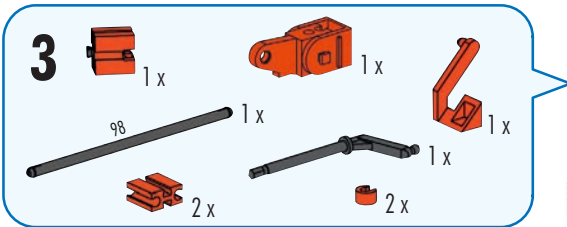
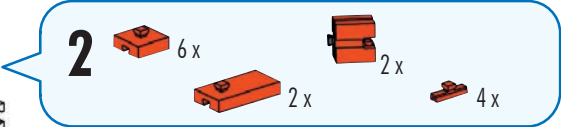
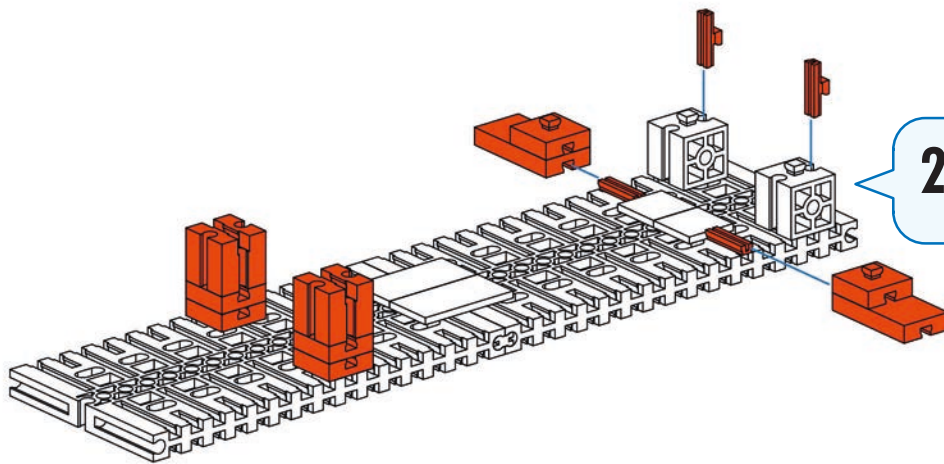
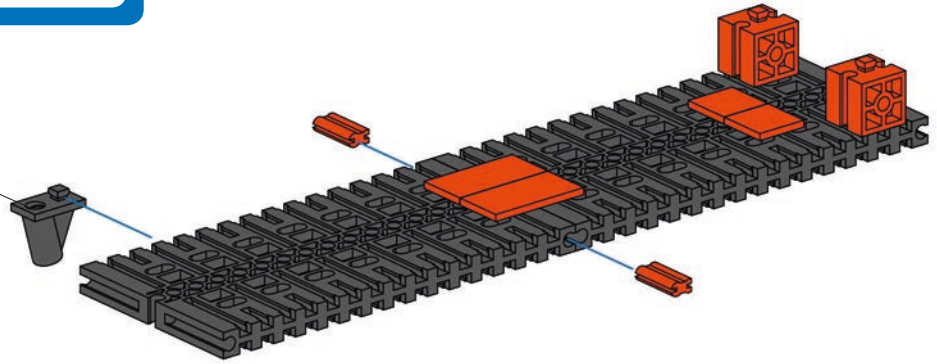
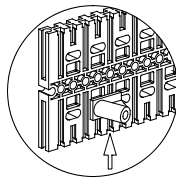
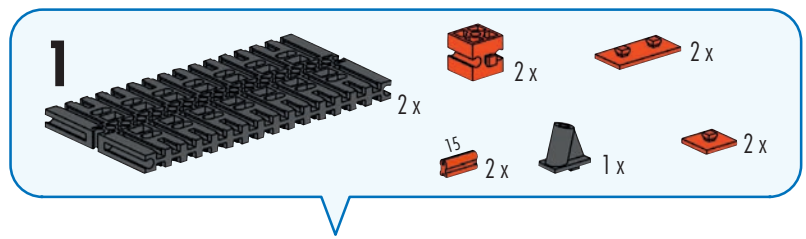
- Achtung! Verletzungsgefahr an Bauteilen mit funktionsbedingten scharfen Kanten und Spitzen!
- Caution! Be careful not to hurt yourself on components with sharp or pointed edges!
- Attention! Risque de blessure sur les éléments comportant des arêtes et o pointes vives indispensables au bon fonctionnement!
- Let op! U kunt zich bezeren aan bouwstenen met scherpe randen of punten!
- Attenzione! Esiste il pericolo di lesione con i pezzi di costruzione che hanno bordi e punte spigolosi necessari per la funzionalità del pezzo!
- Atenção! Perigo de ferimentos em peças componentes com cantos vivos e pontas obrigatórios para o funcionamento!
- Attenzione! Pericolo di lesioni dovute a componenti con spigoli vivi e punte per motivi funzionali!
- Будьте осторожны! Об острые края деталей и и наконечники можно порезаться!
- 注意！因功能需要而带有锋利的棱边和尖角的部件可能会带来受伤危险！



LKW-Basismodell
Truck basic
Camion de base

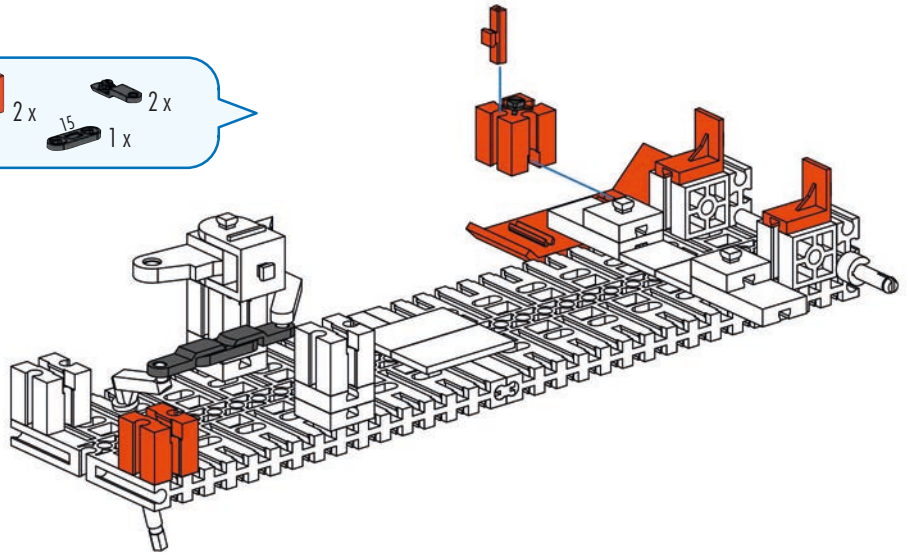
Basismodel voor
vrachtwagens
Modelo básico del camión
Caminhão-Modelo básico

Modello base autocarro model
Базовая модель грузового
автомобиля
卡车基本模型



4

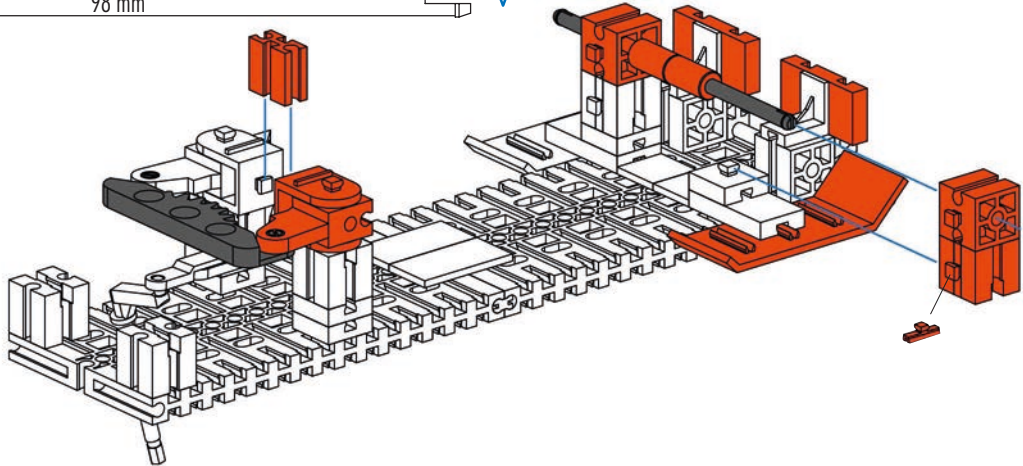
- 1 x [Orange Technic Plate 1x5 with 3 holes]
- 2 x [Orange Technic Pin with Friction Ridge]
- 1 x [Orange Technic Pin with Friction Ridge]
- 2 x [Orange Technic Pin with Friction Ridge]
- 2 x [Black Technic Pin with Friction Ridge]
- 1 x [Black Technic Pin with Friction Ridge]



5

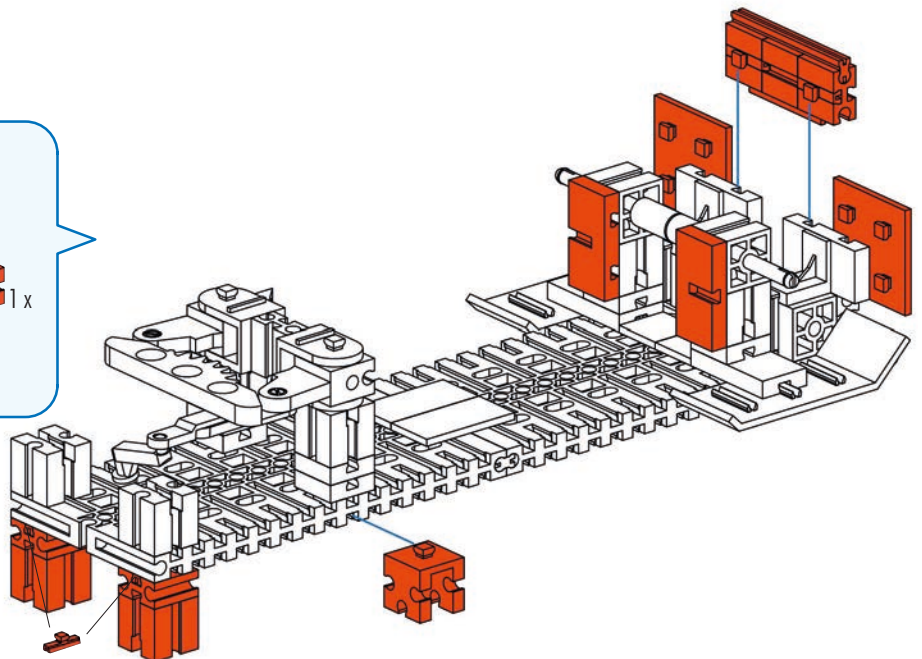
- 1 x [Orange Technic Plate 1x98]
- 1 x [Black Technic Pin with Friction Ridge]
- 2 x [Orange Technic Pin with Friction Ridge]
- 1 x [Black Technic Pin with Friction Ridge]
- 1 x [Orange Technic Pin with Friction Ridge]
- 1 x [Orange Technic Pin with Friction Ridge]
- 2 x [Orange Technic Pin with Friction Ridge]
- 2 x [Orange Technic Pin with Friction Ridge]

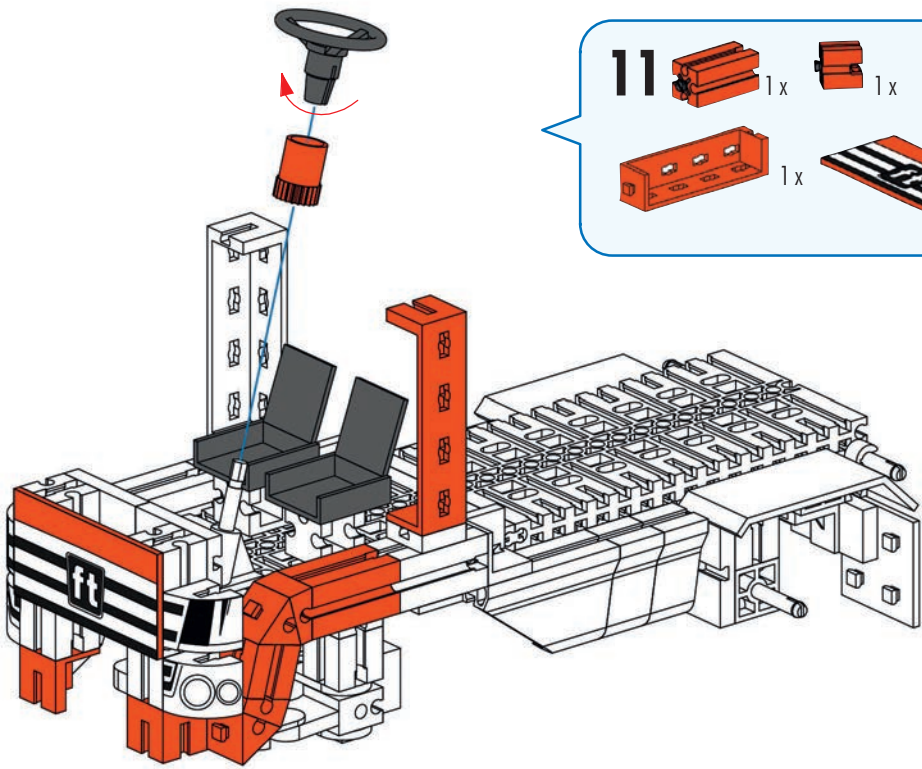
98 mm



6

- 2 x [Orange Technic Pin with Friction Ridge]
- 5 x [Orange Technic Pin with Friction Ridge]
- 2 x [Orange Technic Pin with Friction Ridge]
- 4 x [Orange Technic Pin with Friction Ridge]
- 1 x [Orange Technic Pin with Friction Ridge]
- 1 x [Orange Technic Pin with Friction Ridge]
- 1 x [Orange Technic Pin with Friction Ridge]
- 1 x [Orange Technic Pin with Friction Ridge]

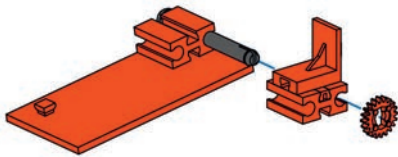
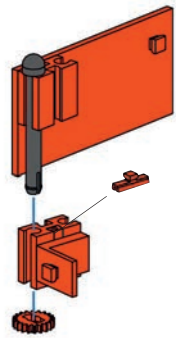




- 11**
- 1x Orange Technic Beam (1x5)
 - 1x Orange Technic Beam (1x3)
 - 2x Orange Technic Beam (1x2)
 - 2x Orange Technic Beam (1x1)
 - 2x Orange Technic Beam (1x1) at 15°
 - 2x Orange Technic Beam (1x1) at 60°
 - 2x Orange Technic Beam (1x1)
 - 1x Orange Technic Beam (1x10)
 - 1x Orange Technic Plate (1x10)
 - 1x Orange Technic Pin
 - 1x Orange Technic Pin
 - 1x Grey Steering Wheel
 - 2x Grey Technic Seat



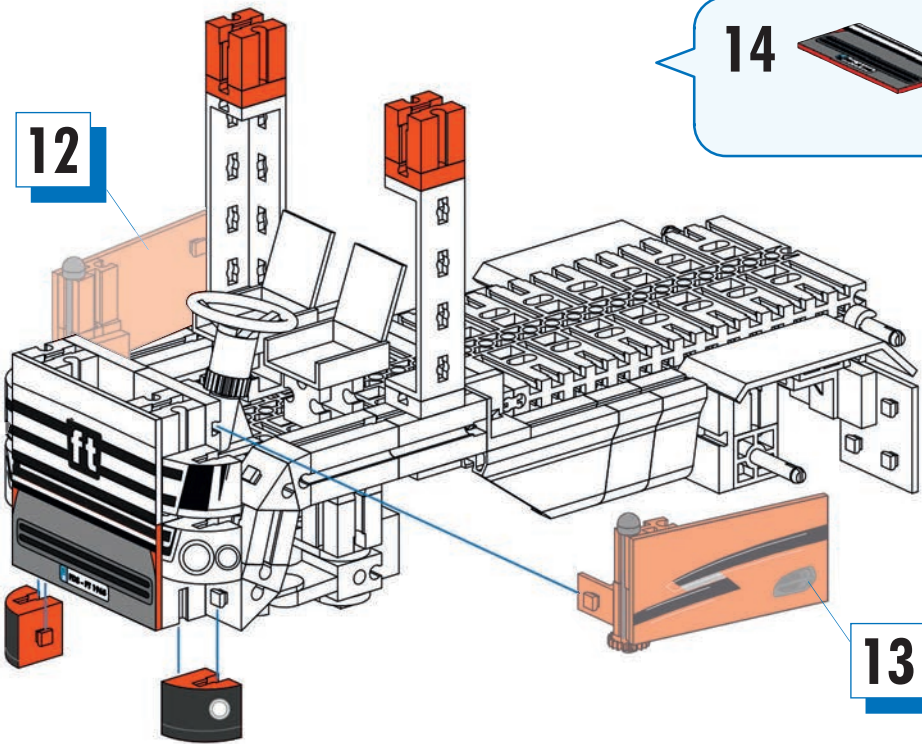
- 12**
- 1x Red Technic Plate (1x10)
 - 1x Grey Technic Pin
 - 1x Black Technic Pin
 - 1x Orange Technic Pin
 - 2x Orange Technic Beam (1x2)
 - 1x Orange Technic Beam (1x1)



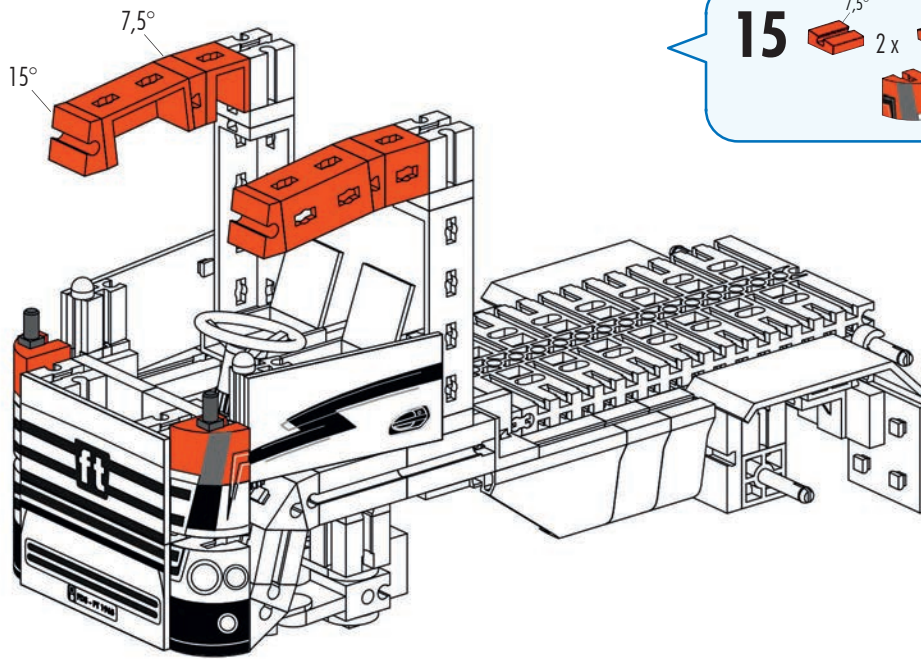
- 13**
- 1x Red Technic Plate (1x10)
 - 1x Grey Technic Pin
 - 1x Black Technic Pin
 - 1x Orange Technic Pin
 - 2x Orange Technic Beam (1x2)
 - 1x Orange Technic Beam (1x1)

12

- 14**
- 1x Red Technic Plate (1x10)
 - 2x Orange Technic Beam (1x2)
 - 2x Orange Technic Beam (1x1)
 - 1x Black Technic Pin
 - 1x Black Technic Pin

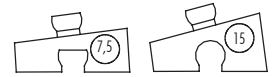


13



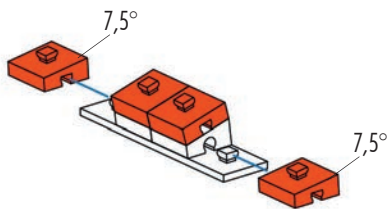
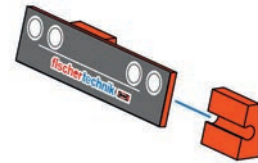
15

- 7,5° 2 x
- 15° 2 x
- 2 x
- 2 x
- 1 x
- 1 x
- 2 x



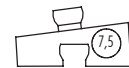
16

- 15° 2 x
- 1 x



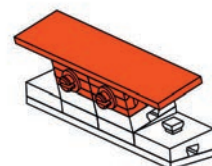
17

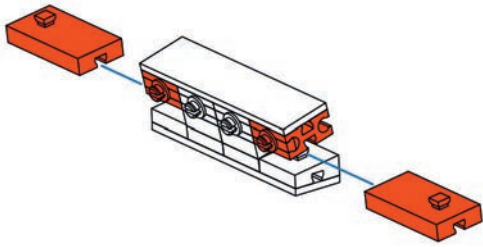
- 7,5° 2 x
- 2 x

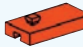




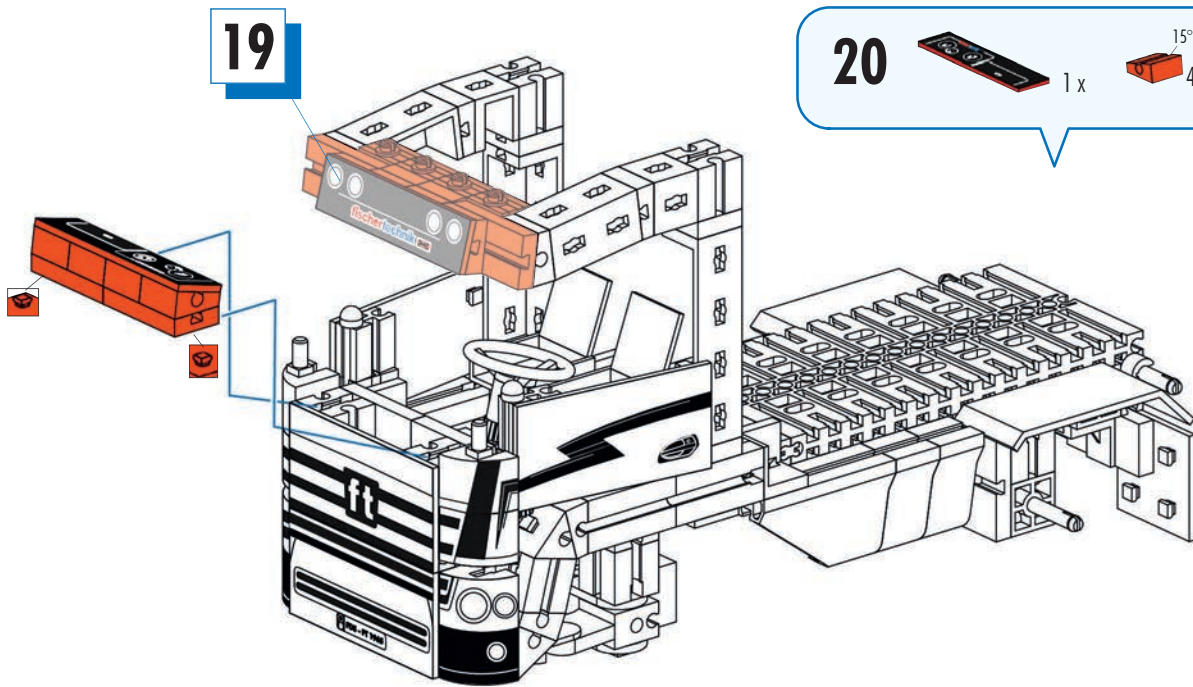
18


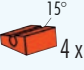
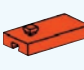
- 1 x
- 2 x
- 2 x
- 2 x

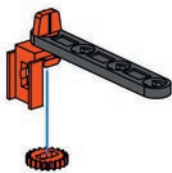
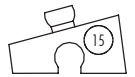





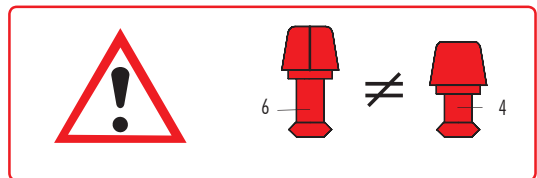
19  2x  2x  2x







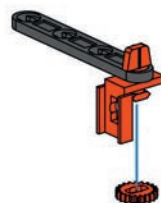
20  1x  4x  2x

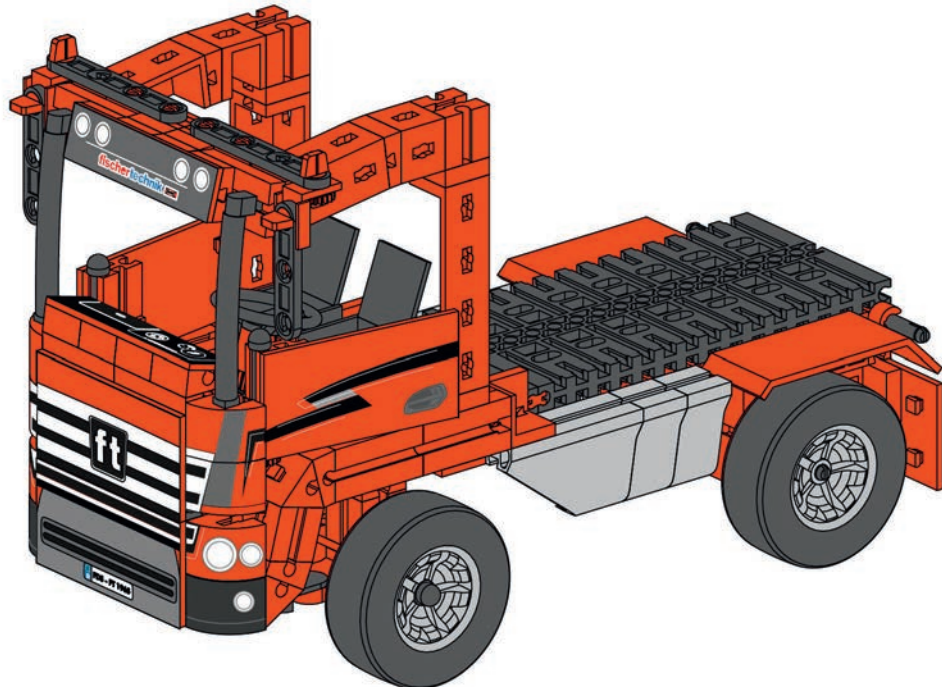
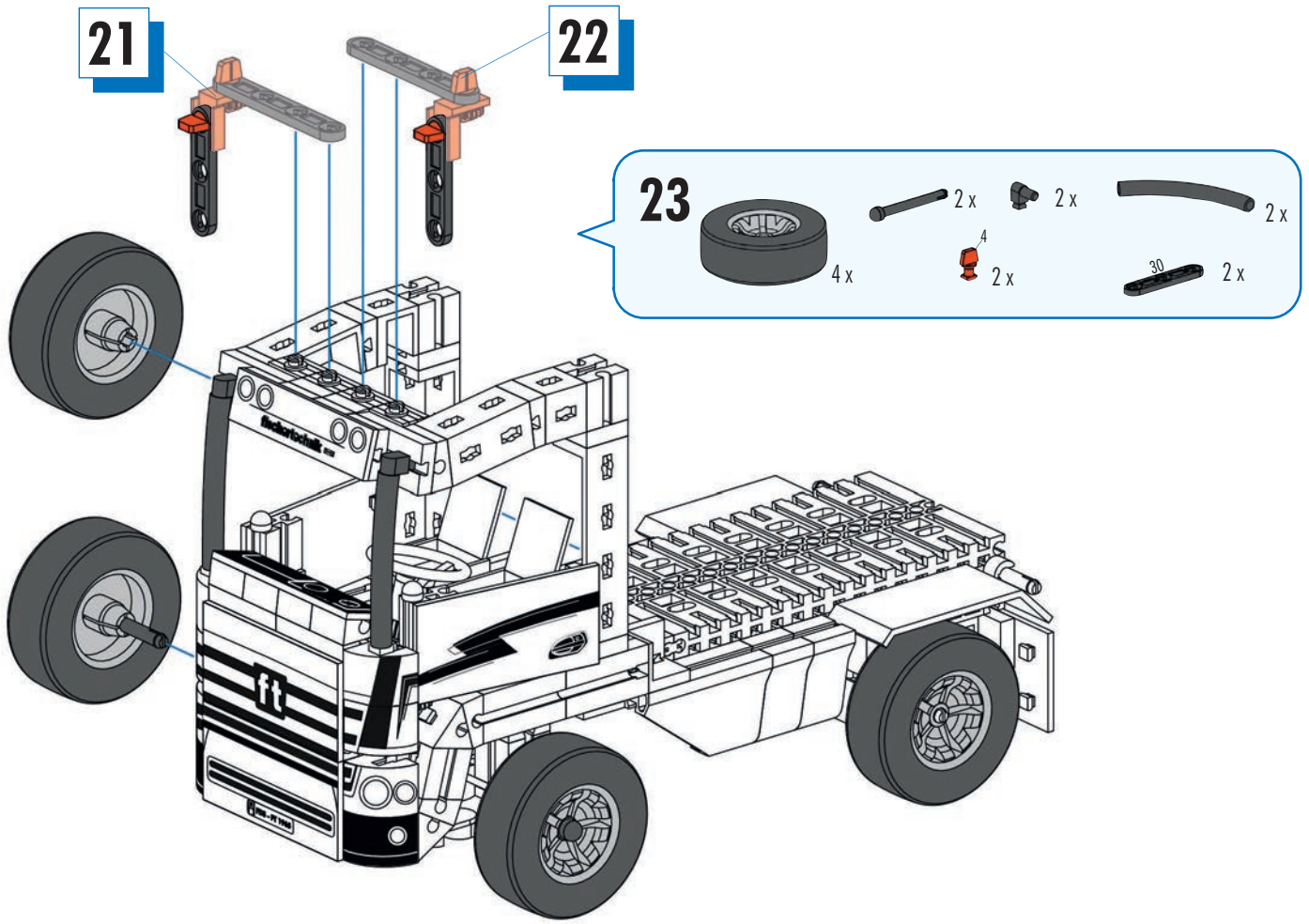


21  1x  1x  1x  1x



22  1x  1x  1x  1x



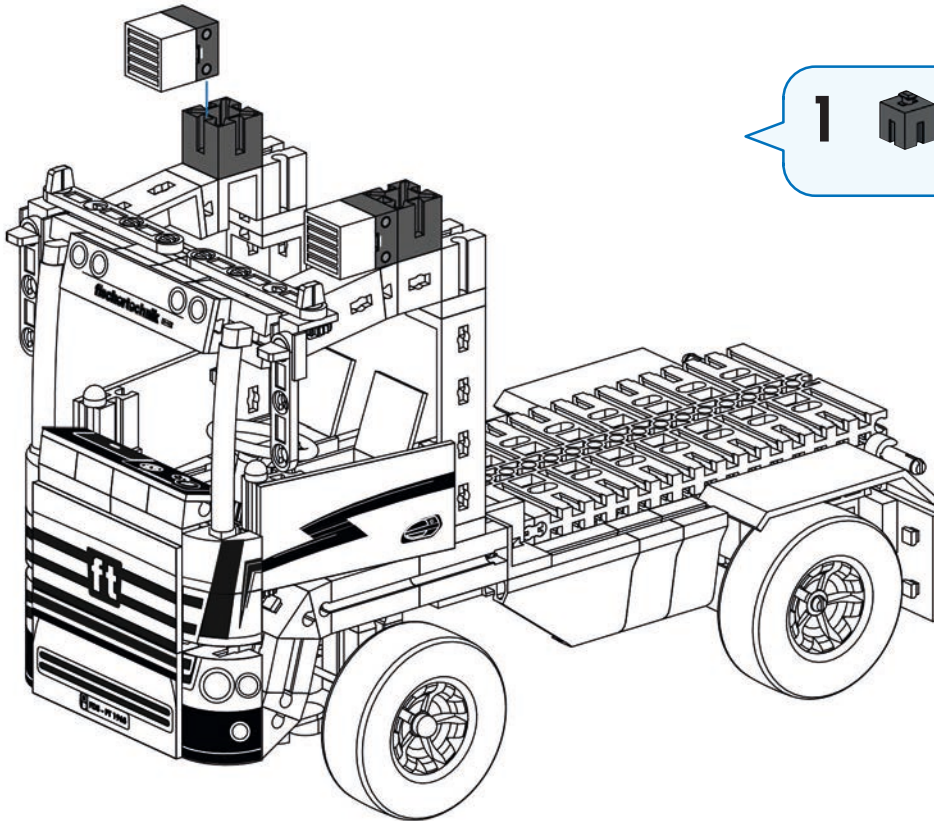





Beleuchtung
Lighting
Éclairage

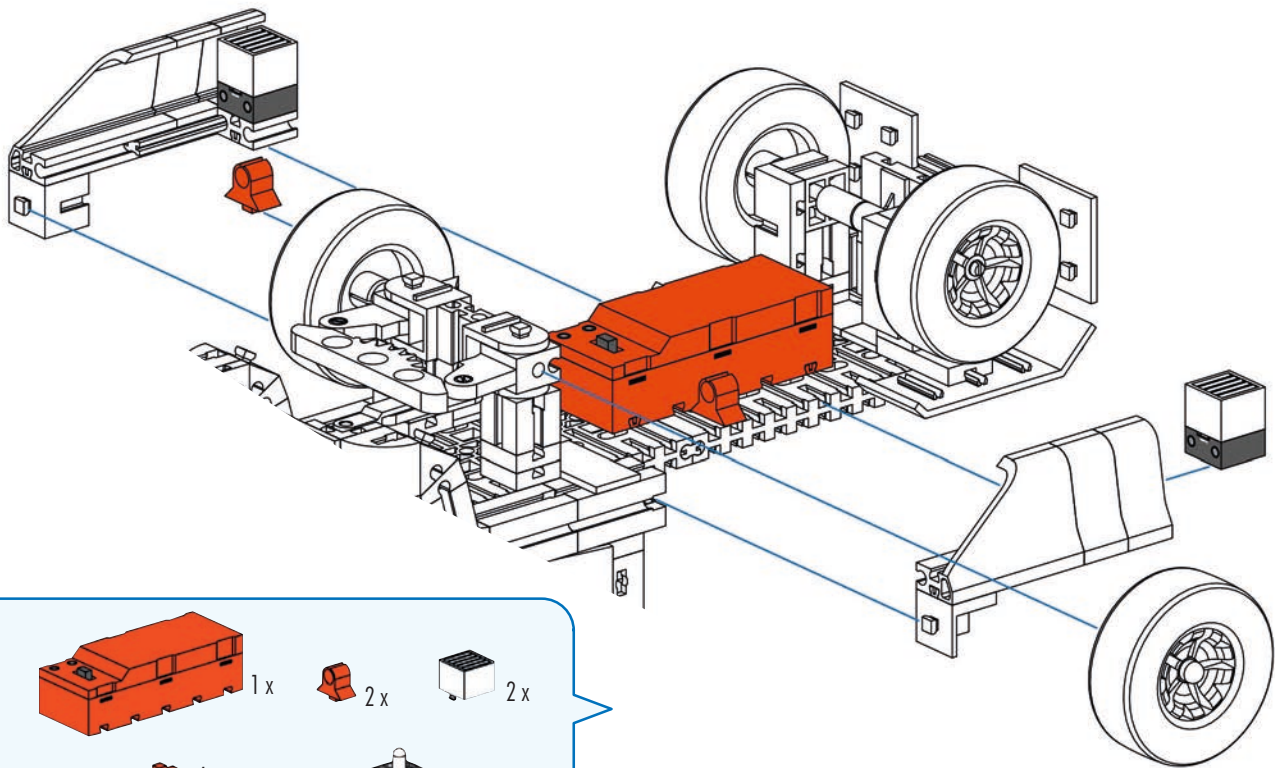
Verlichting
Iluminación
Iluminação

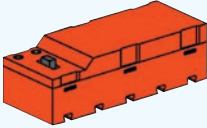




Illuminazione
Освещение
灯

LED Set
533 877



1  2x  2x  2x



2  1x  2x  2x
 4x  2x

Motorisierung und Fernsteuerung
Motorization and remote control
Motorisation et télécommande

Motorisering en afstandsbesturing
Motorización y mando a distancia
Motorização e telecomando

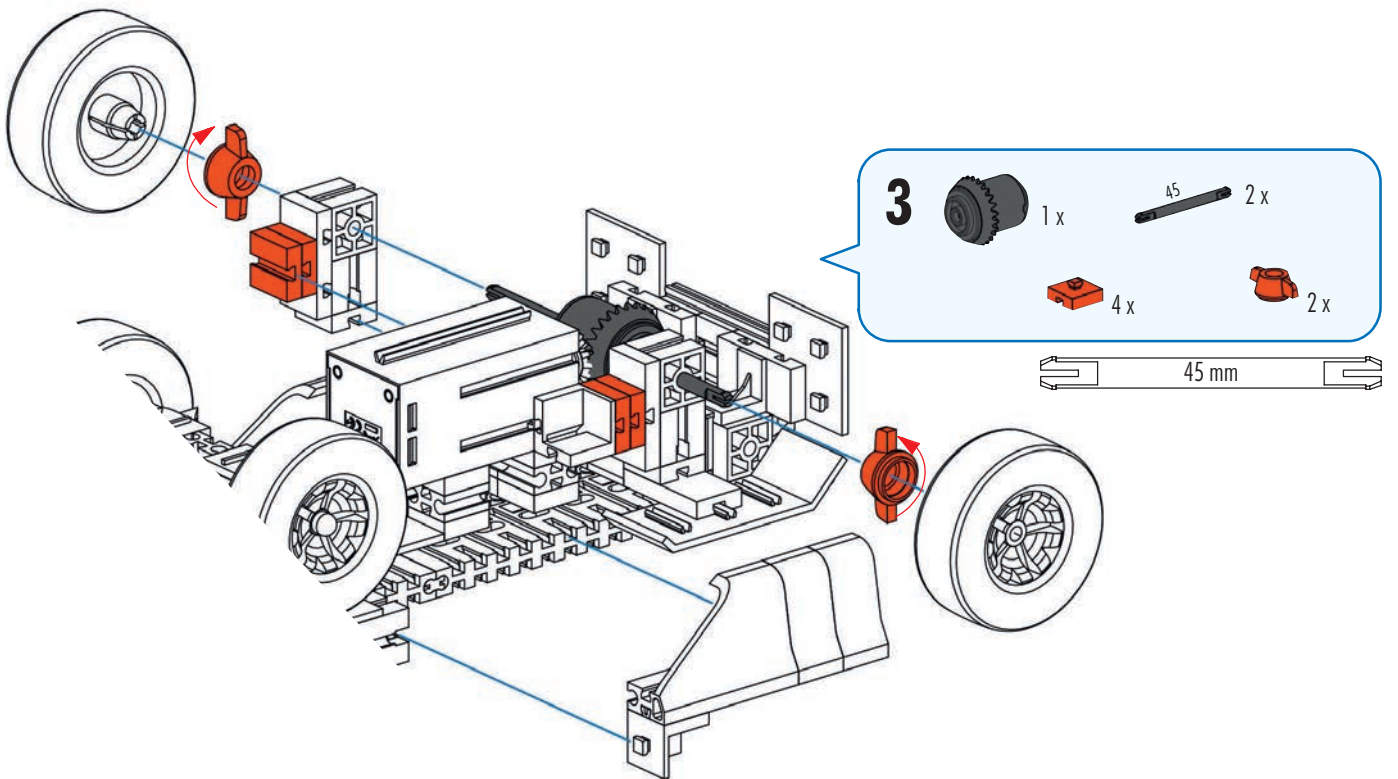
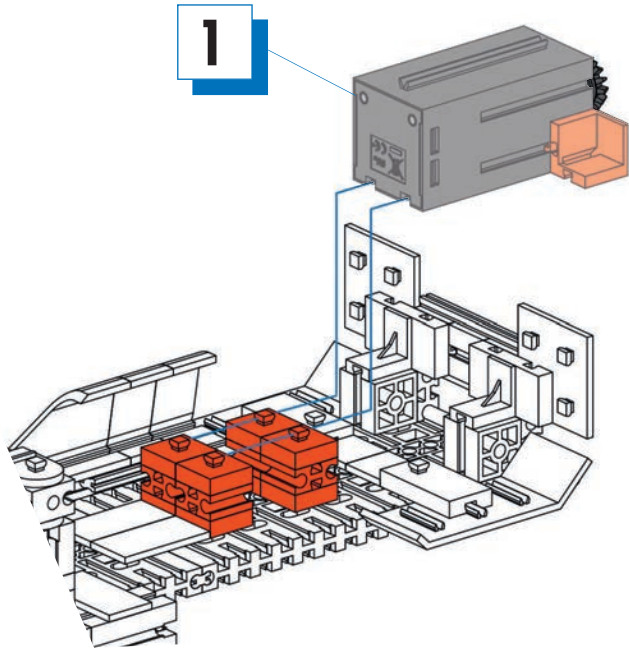
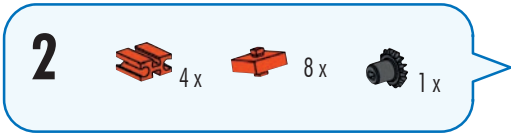
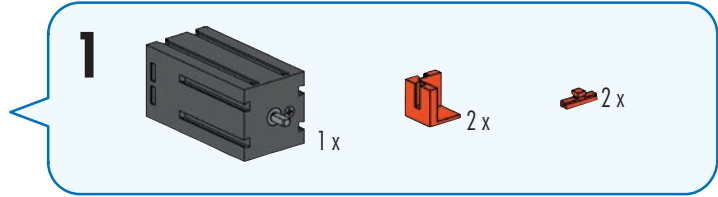
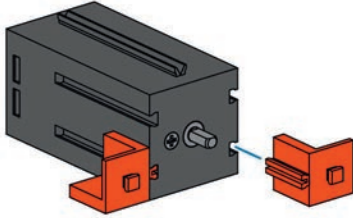
Motorizzazione e comando a distanza
 Приводной механизм и
 дистанционное управление
 机动化与遥控

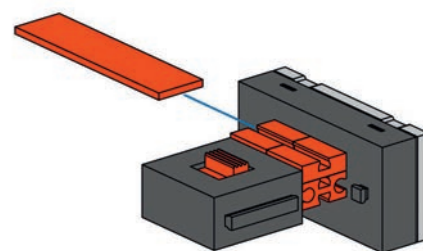
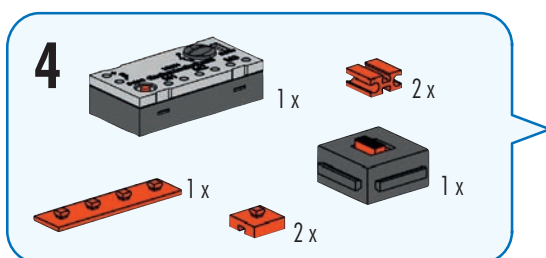
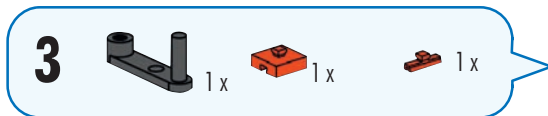
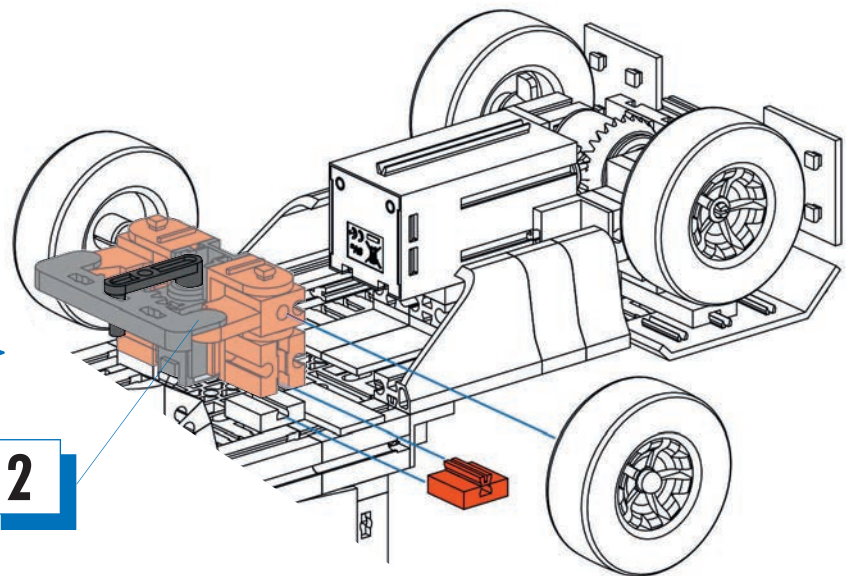
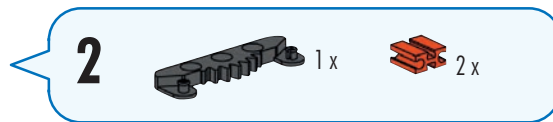
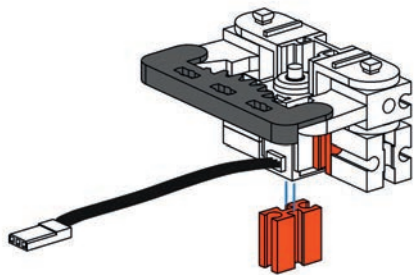
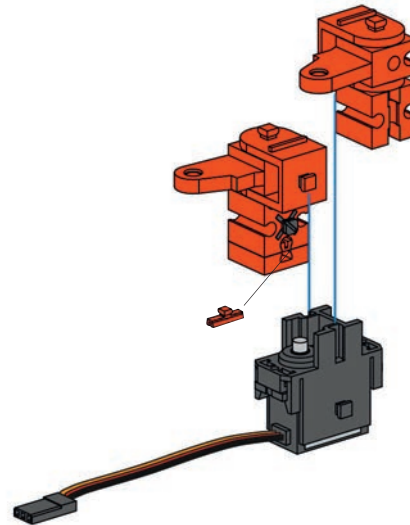
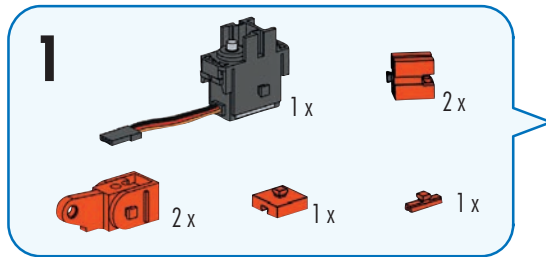
Radantrieb
 Wheel drive
 Entraînement de roue

Wiel aandrijving
 Accionamiento por ruedas
 Tracção às rodas

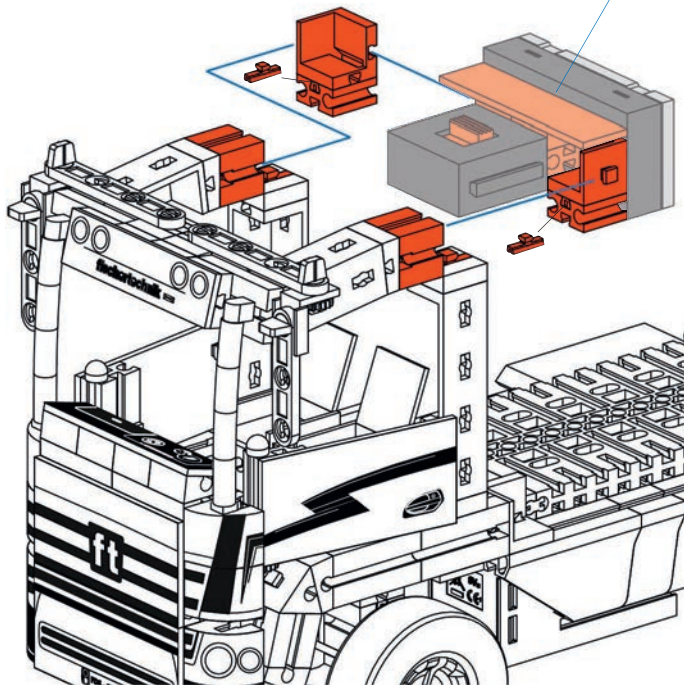
Azionamento ruote
 Привод колес
 车轮驱动装置





Motor Set XM
 505 282




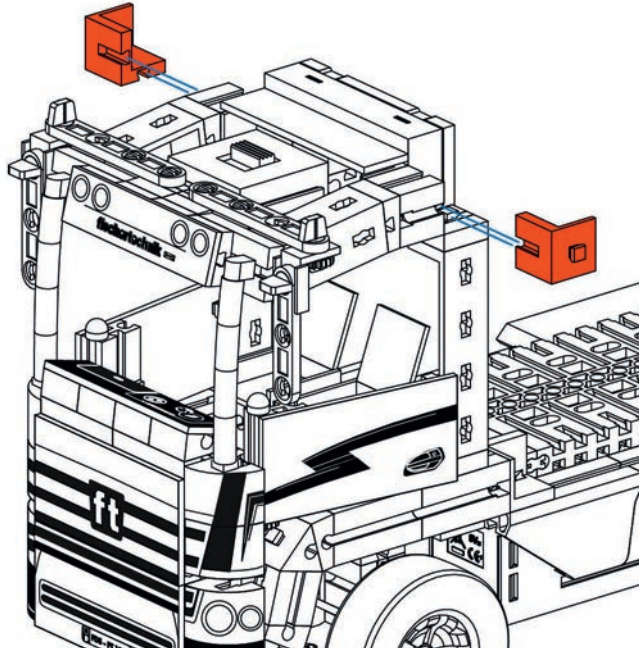


4



5  2x  4x  2x  2x

6  2x

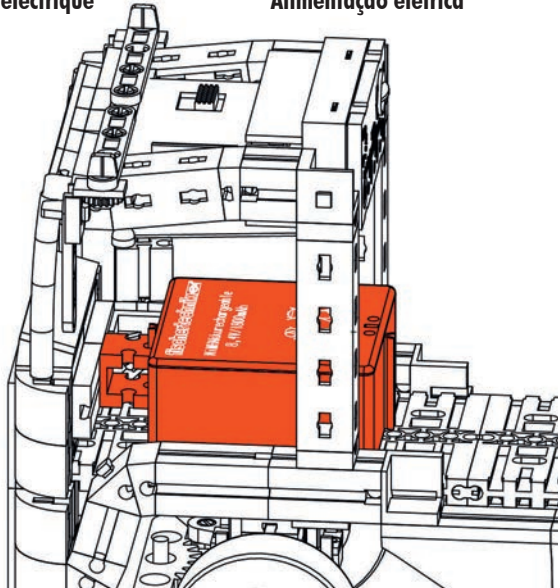




Stromversorgung
Power supply
Alimentation électrique

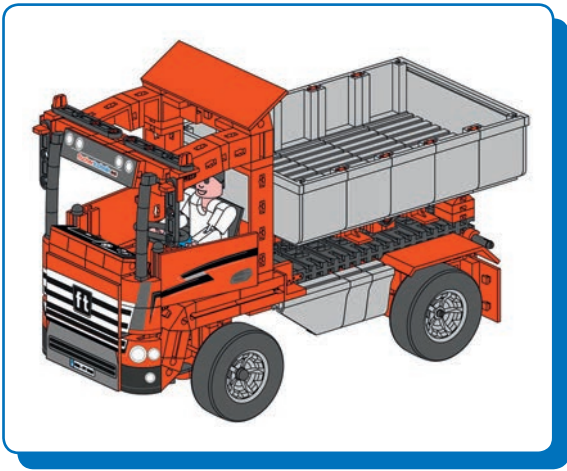
Stroomvoorziening
Alimentación de corriente
Alimentação elétrica

Alimentazione
Электропитание
电源供应装置

ACCU SET
34 969



1  1x  1x



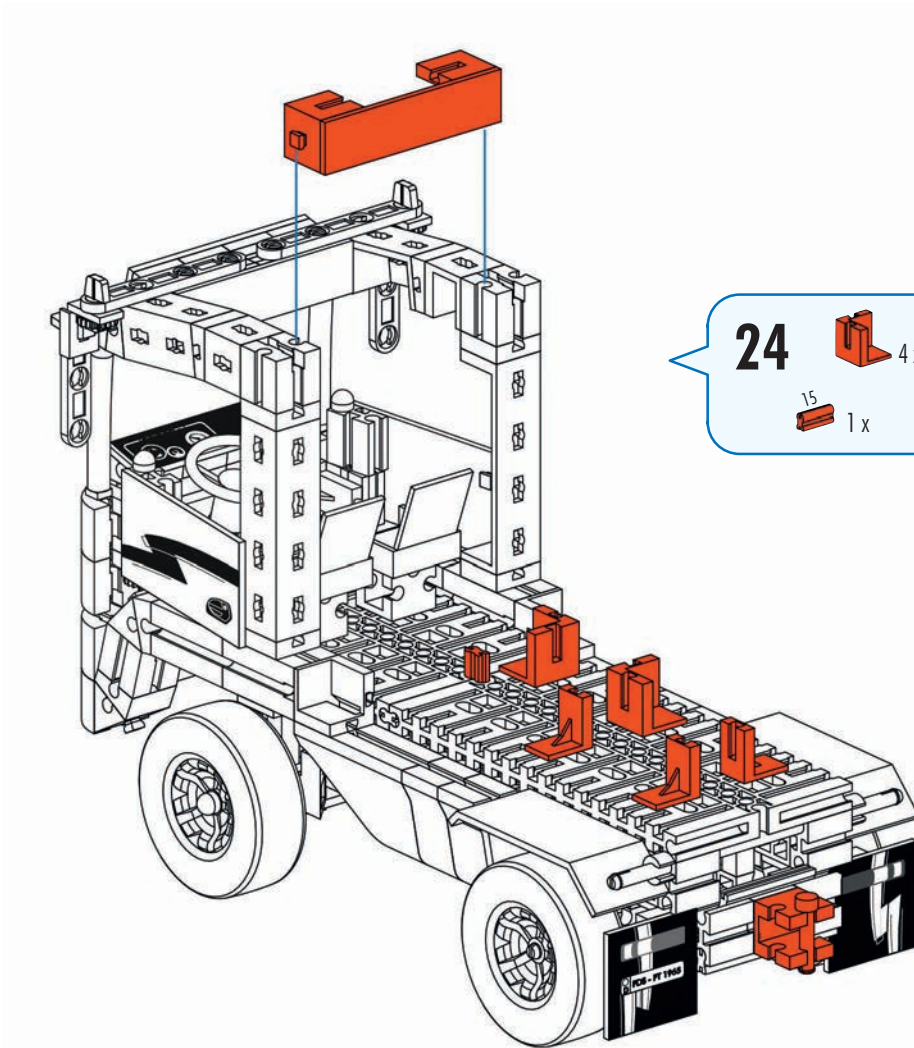
Kipper
Kipper truck
Benne basculante

Kiepwagen
Camión volquete
Caminhão com
caçamba basculante

Ribaltabile
Самосвал
翻斗车

1-23

Seite 4
 Page 4
 Page 4
 Bladzijde 4
 Página 4
 Pagina 4
 Pagina 4
 Страница 4
 页次 4

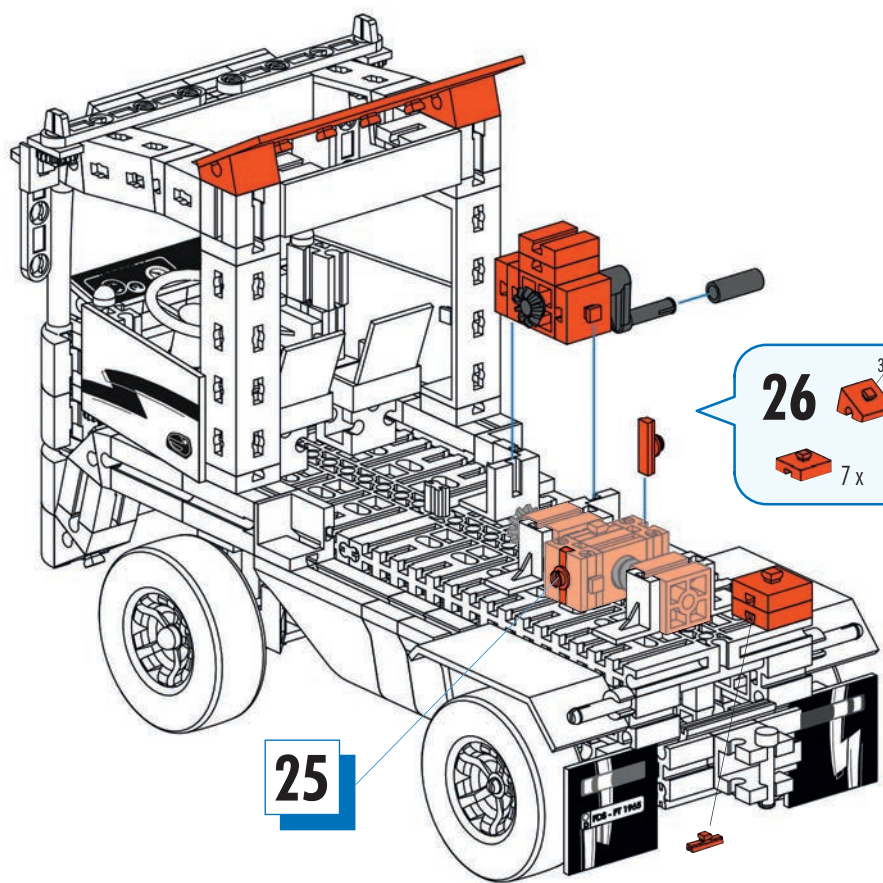
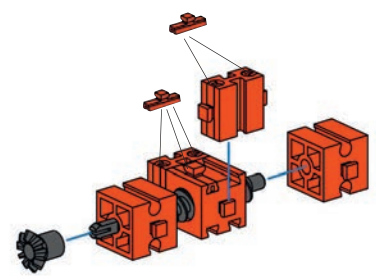


24

- 4x
- 1x
- 3x
- 1x
- 1x
- 1x

25

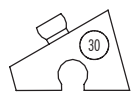
- 1x [Orange 1x2 Technic Brick]
- 2x [Orange 1x2 Technic Brick with Hole]
- 1x [Black Axle]
- 1x [Black Pin]
- 5x [Orange Technic Pin]
- 2x [Orange Technic Pin]



25

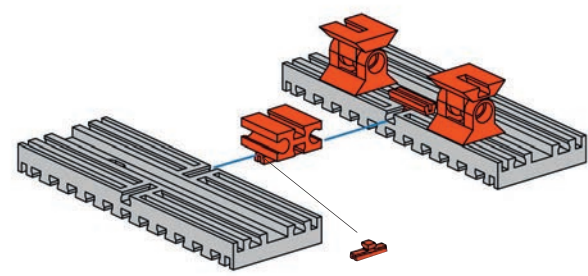
26

- 2x [Orange 30-degree Technic Wedge]
- 1x [Orange 1x6 Technic Beam]
- 7x [Orange 1x2 Technic Brick]
- 2x [Orange Technic Pin]
- 1x [Orange Technic Pin]
- 1x [Black Axle]
- 1x [Black Pin]
- 1x [Black Pin]
- 1x [Orange 1x2 Technic Brick]



27

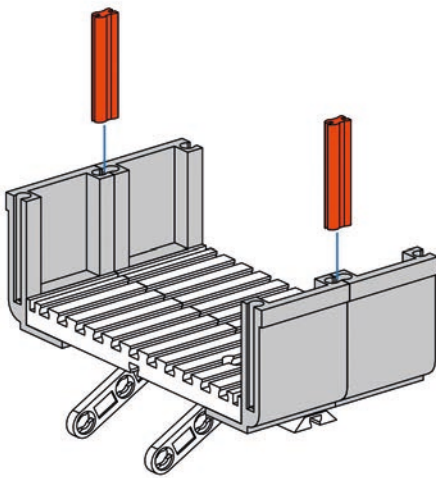
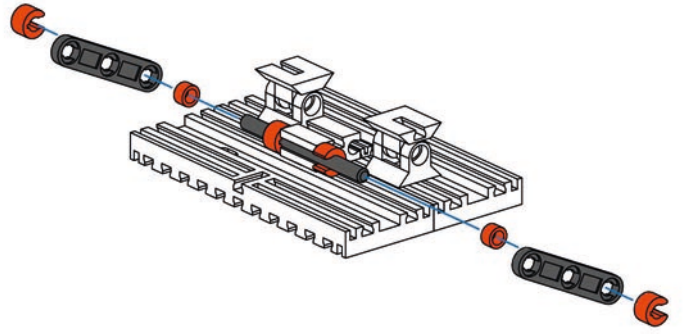
- 2x [Grey Technic Beam]
- 2x [Orange 1x2 Technic Brick]
- 1x [Orange Technic Pin]
- 2x [Orange Technic Pin]



28

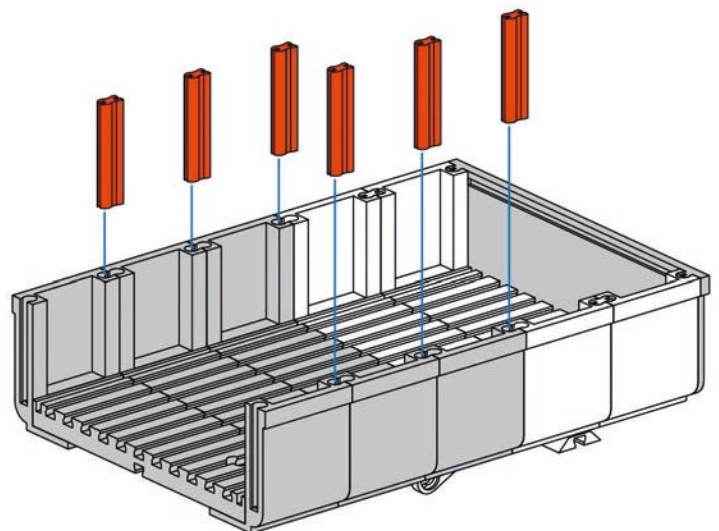
50 1 x 30 2 x 2 x 4 x

50 mm



29

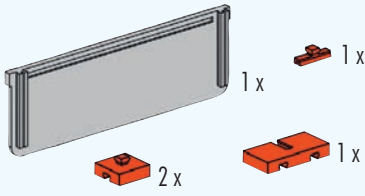
30 2 x 4 x



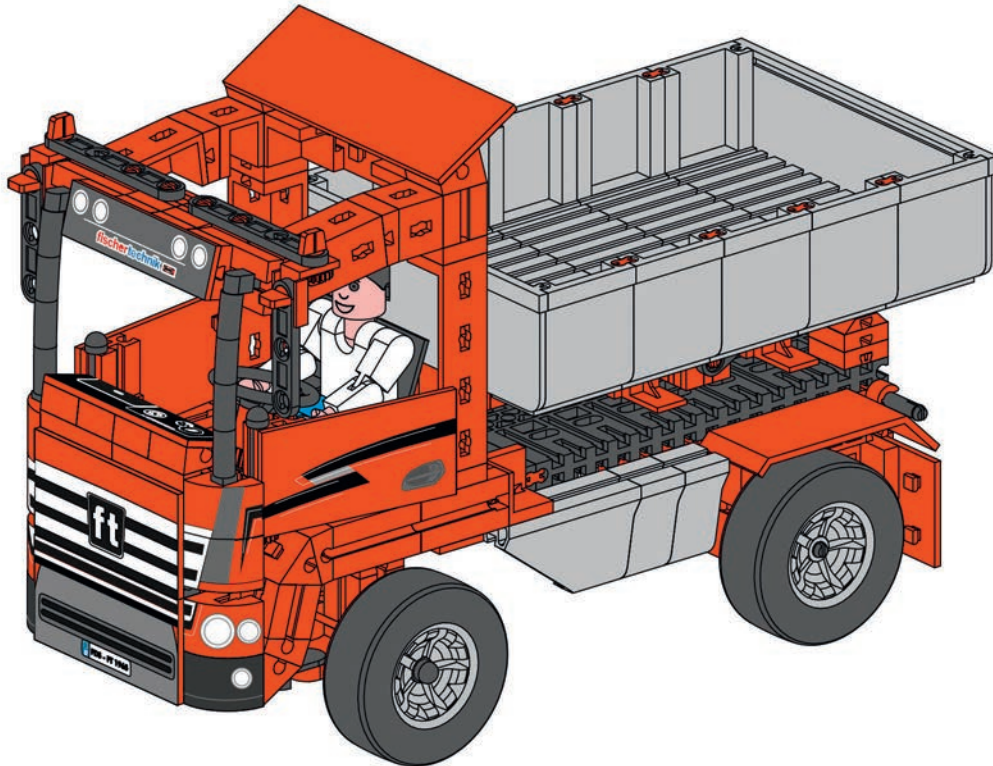
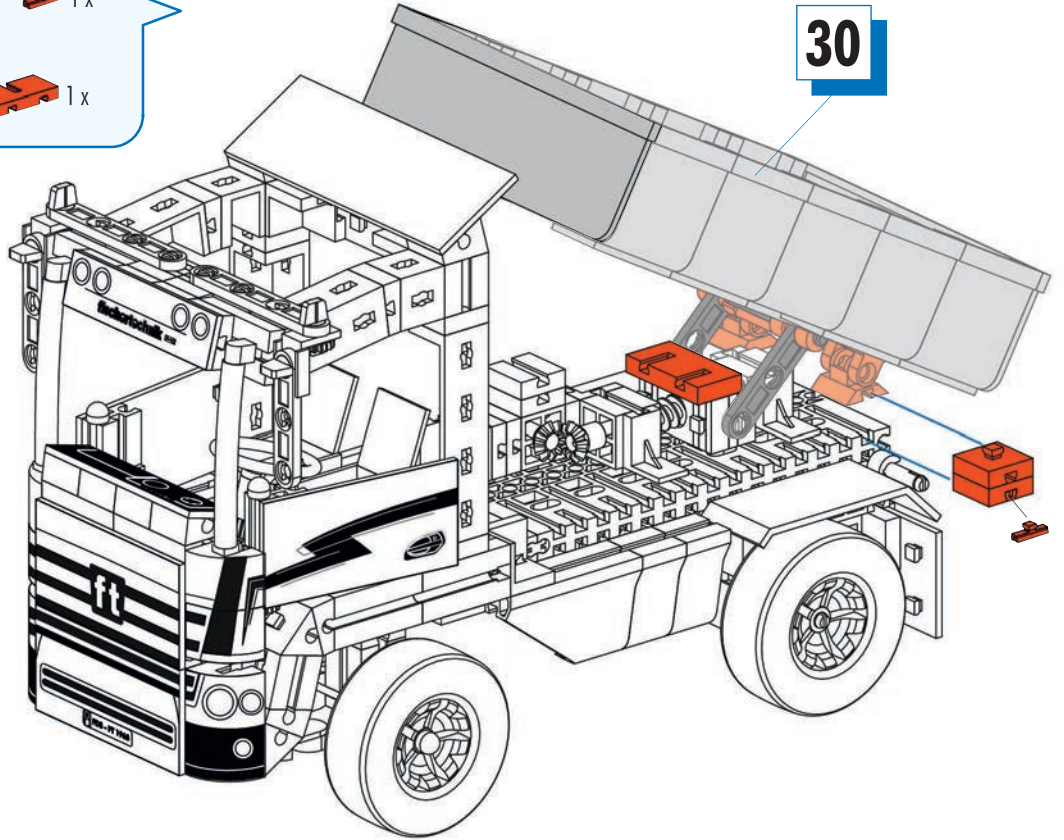
30

3 x 6 x 1 x 30 6 x

31



30

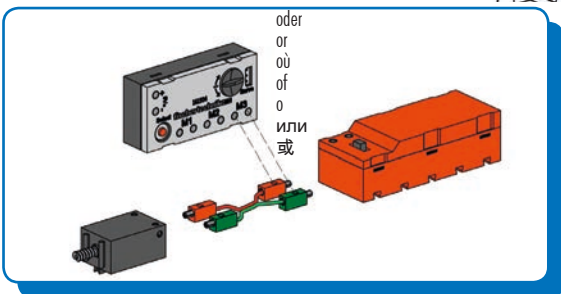
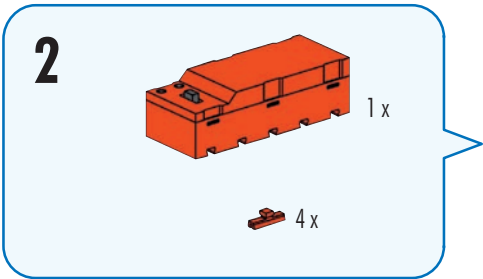
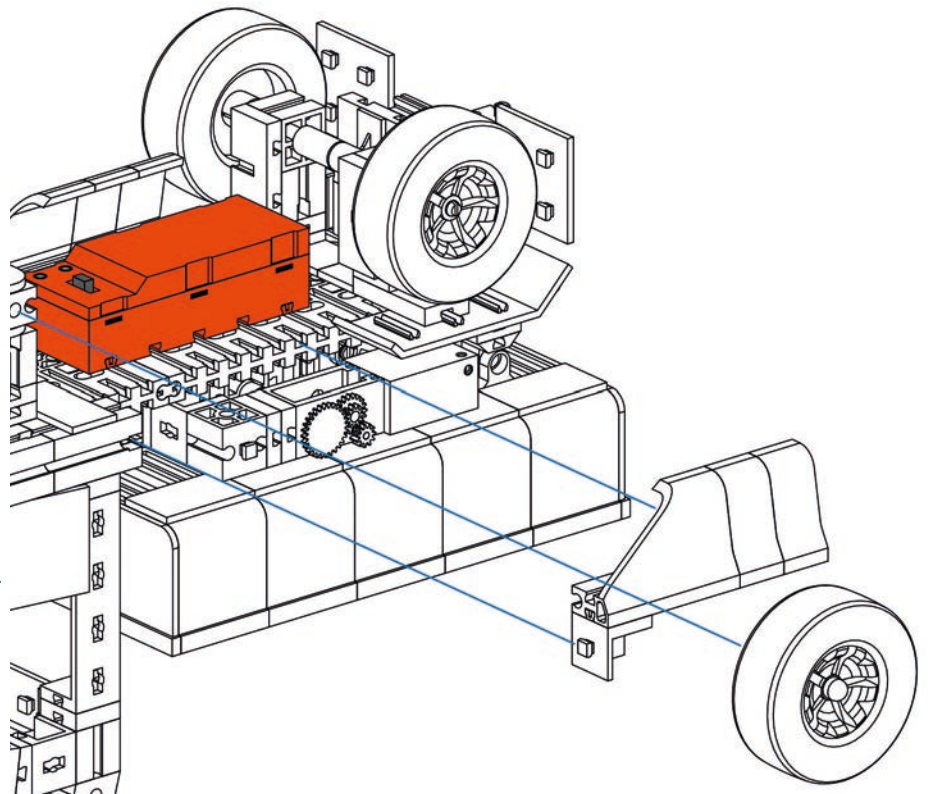
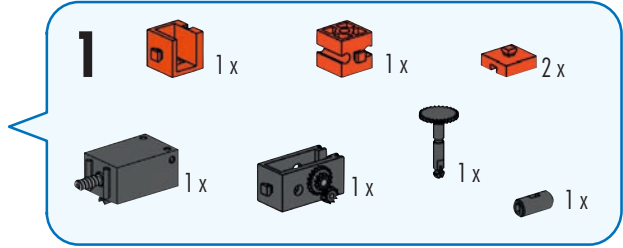
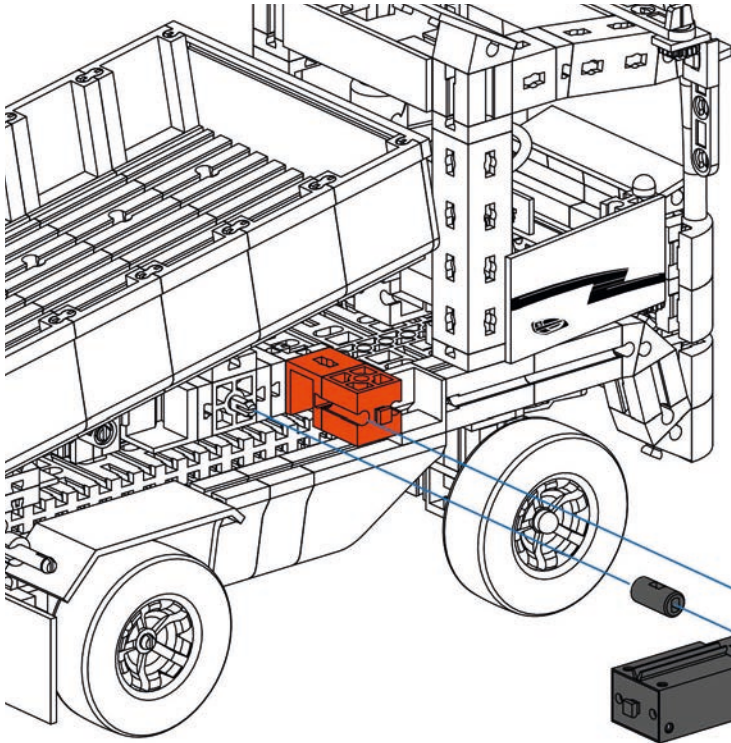


Motorisierung Kipper
Motor unit Kipper truck
Motorisation Benne basculante

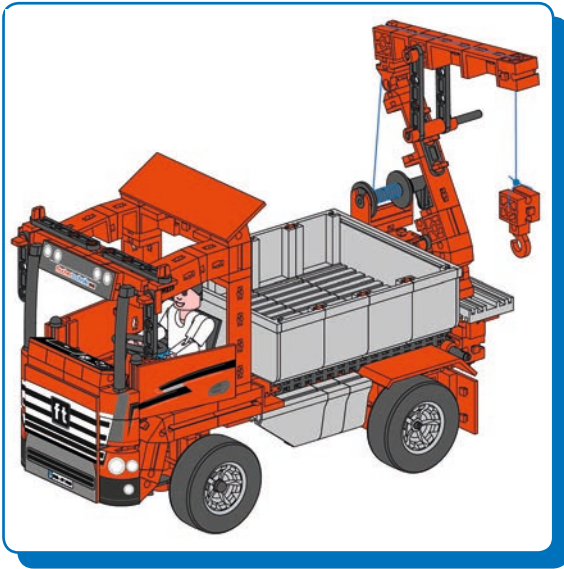
Motorisering Kiepwagen
Motorización Camión volquete
Motorização Caminhão com caçamba basculante

Motorizzazione Ribaltabile
Самосвал с приводом
机动化 翻斗车

Motor Set XS
505 281



Lenkung, Fernsteuerung und Blinklichter siehe Seite 11-15
 Control, remote control and flashing lights, see page 11-15
 Guidage, télécommande et feux clignotants : voir page 11-15
 Besturing, afstandsbesturing en knipperlichten zie pagina 11-15
 Dirección, mando a distancia y luces intermitentes, ver pág. 11-15
 Direcção, telecomando e luzes pisca-pisca, vide página 11-15
 Per lo sterzo, il telecomando e le luci di direzione vedi pagine 11-15
 Рулевое управление, дистанционное управление и проблесковые маячки: см. страницы 11-15
 转向装置，遥控和闪光灯参见第11至15页



LKW mit Ladekran
Truck with lifting crane
Camion avec grue de
chargement

Vrachtwagen met laad - en
loskraan
Camión con grúa de carga
Caminhão com guincho de
carregamento

Autocarro con gru di carico
Грузовой автомобиль с
погрузочным краном
带装载起重机的卡车

1-23

Seite 4
Page 4
Page 4
Bladzijde 4
Página 4
Pagina 4
Página 4
Страница 4
页次 4



24



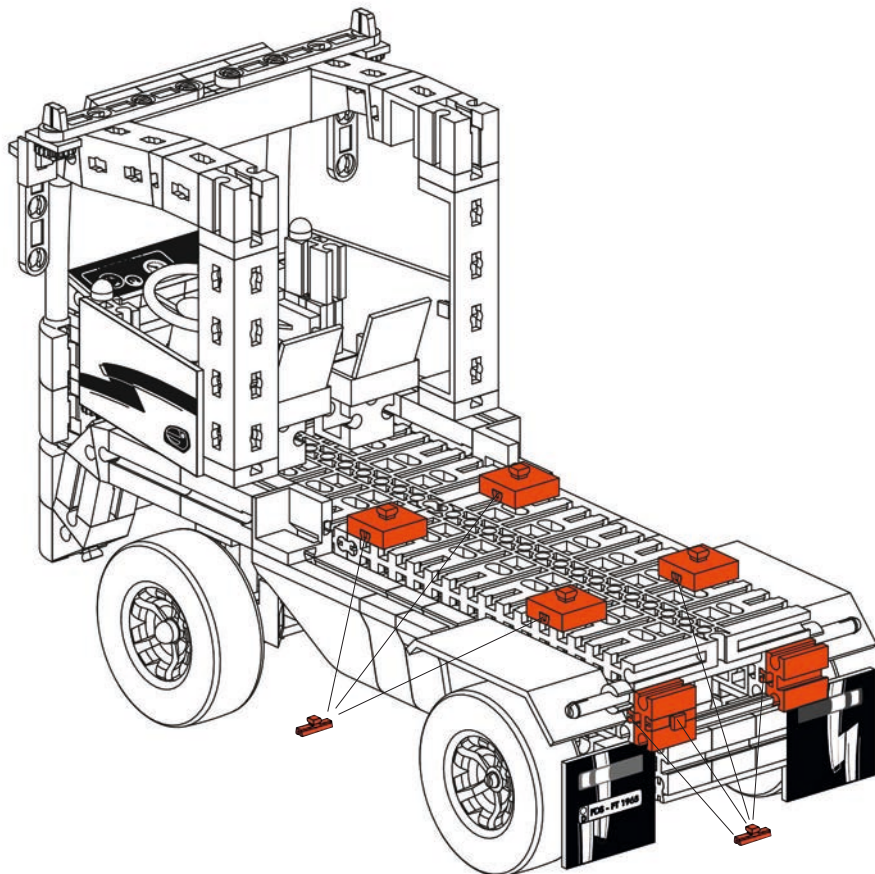
2x



7x

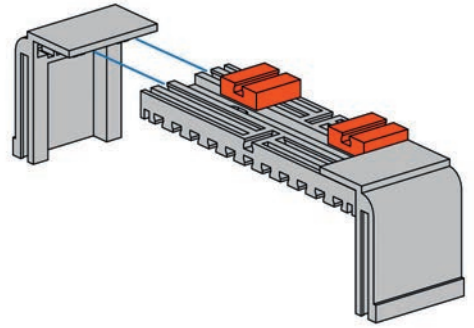


4x



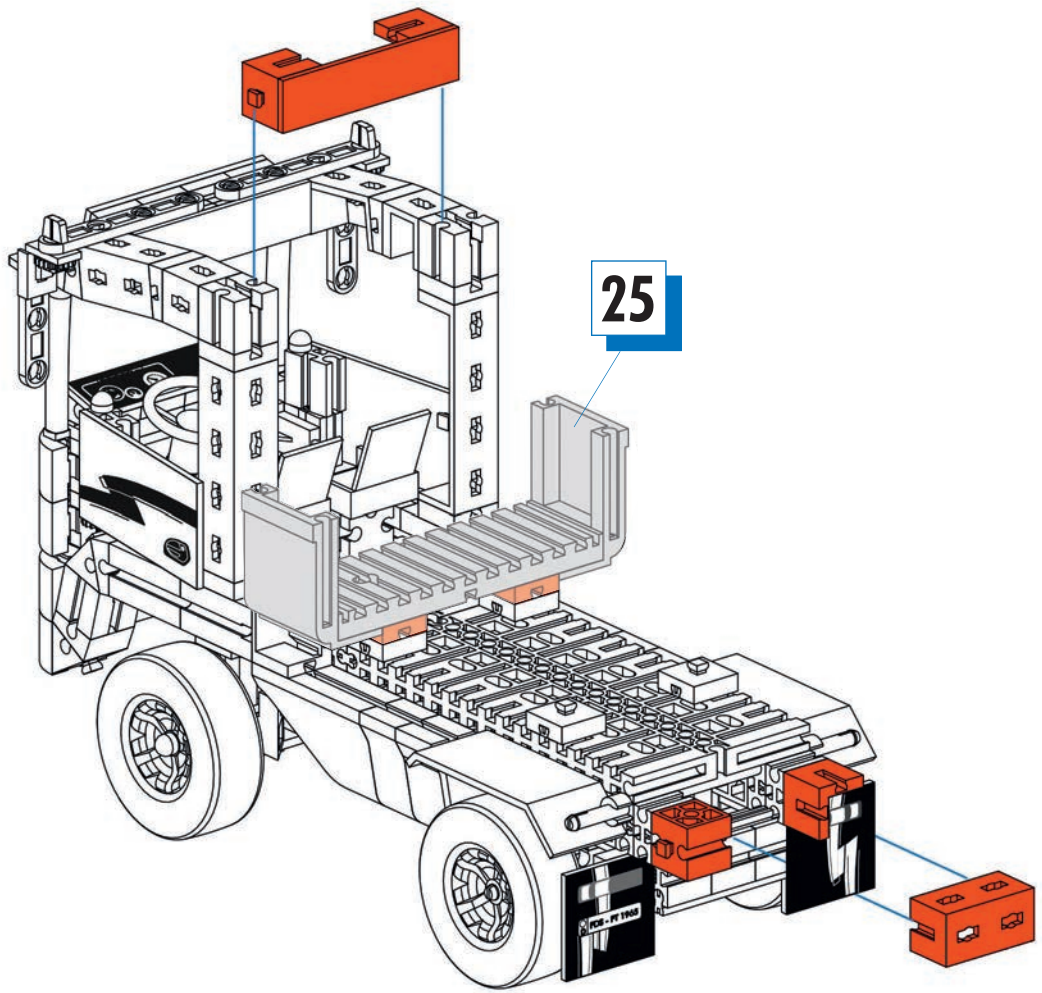
25

2 x 1 x 10 1 x 2 x

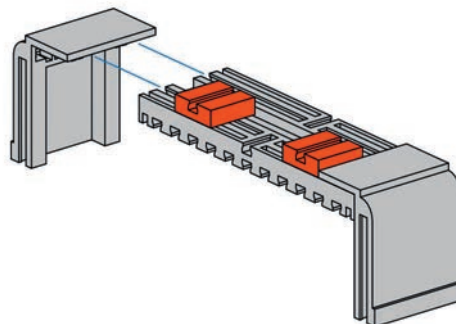
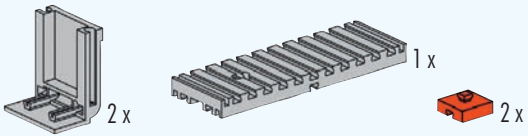


26

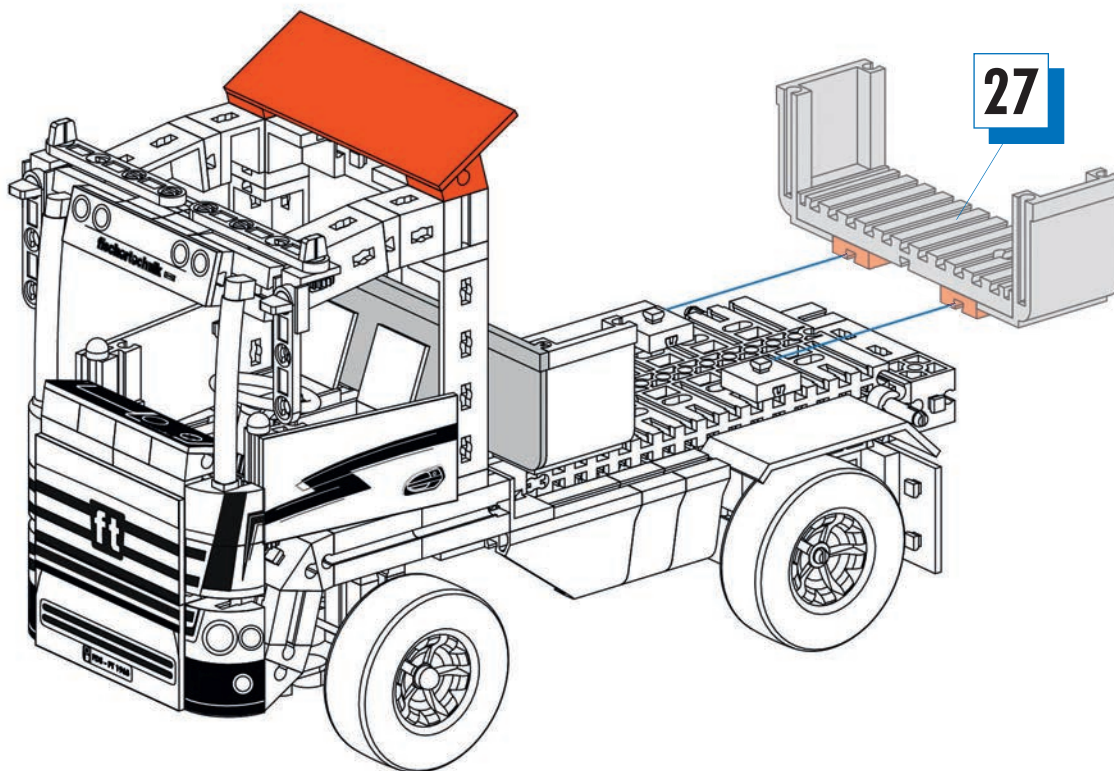
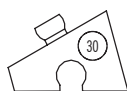
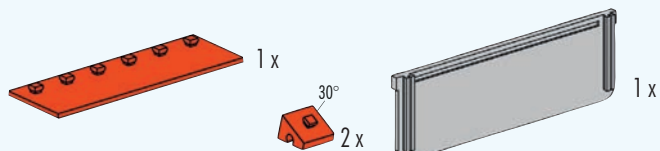
1 x 3 x 1 x 1 x



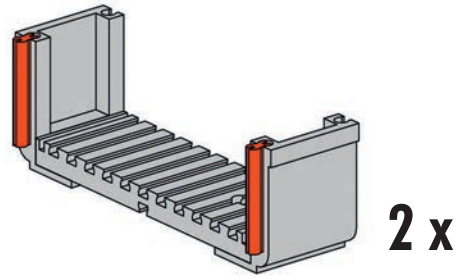
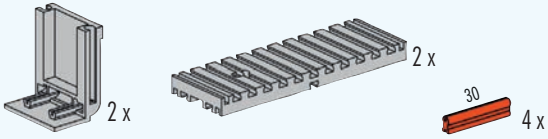
27



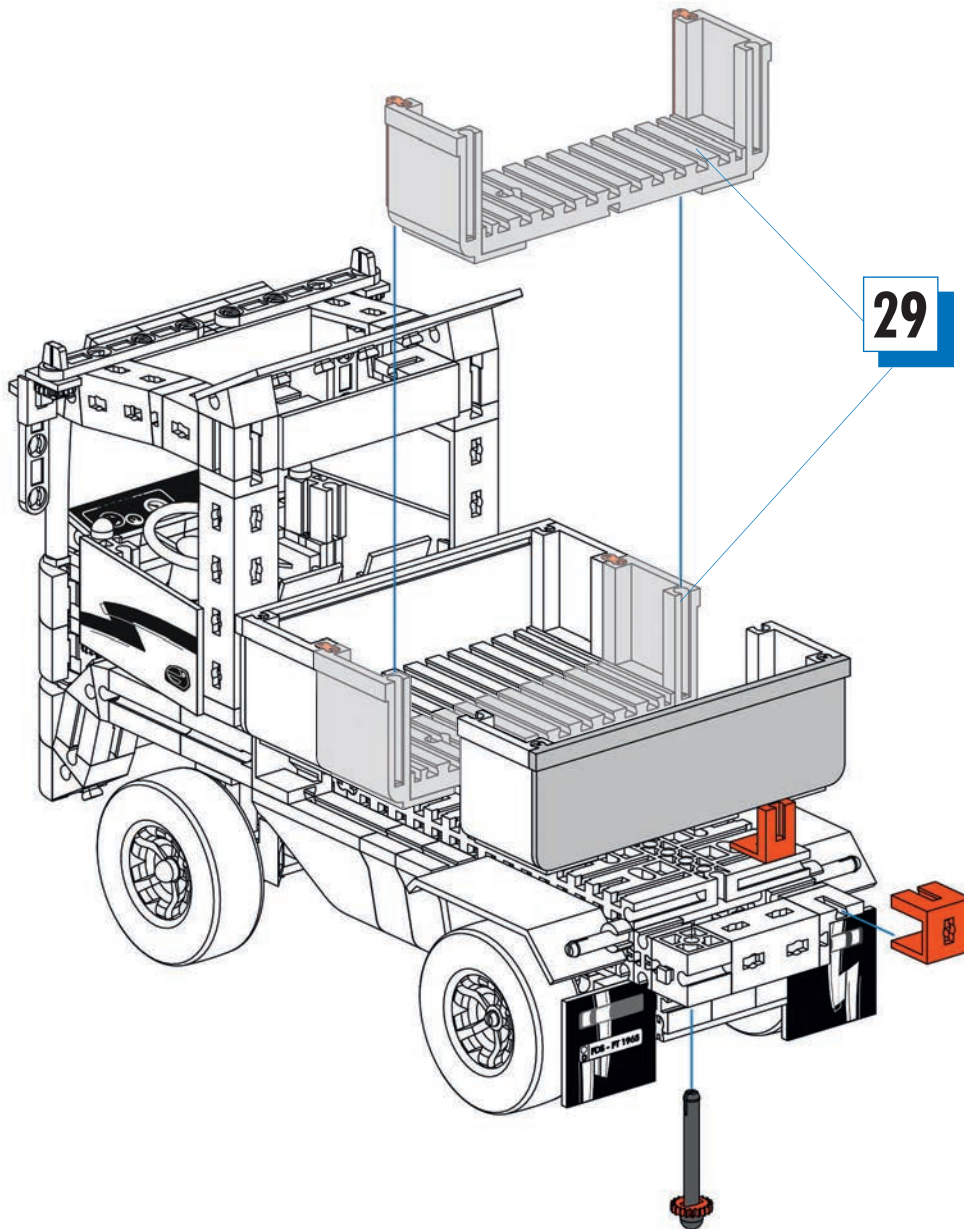
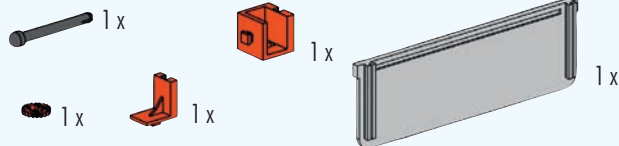
28



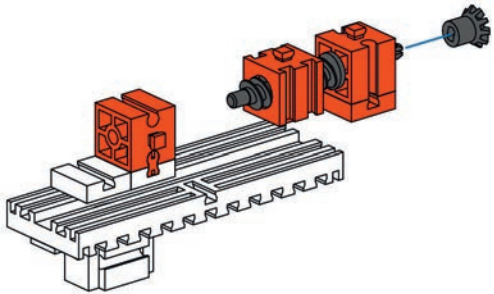
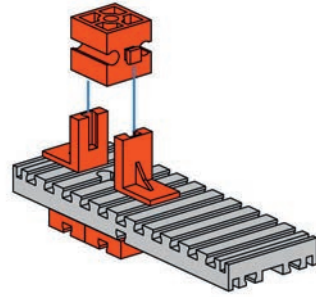
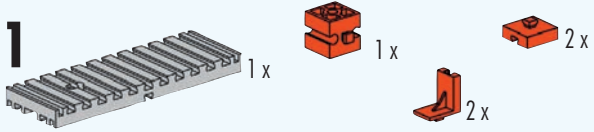
29



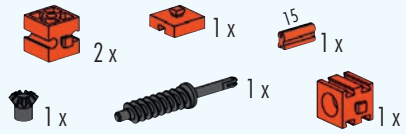
30



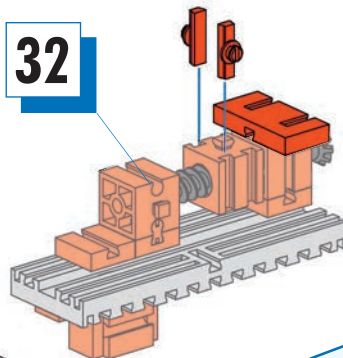
31



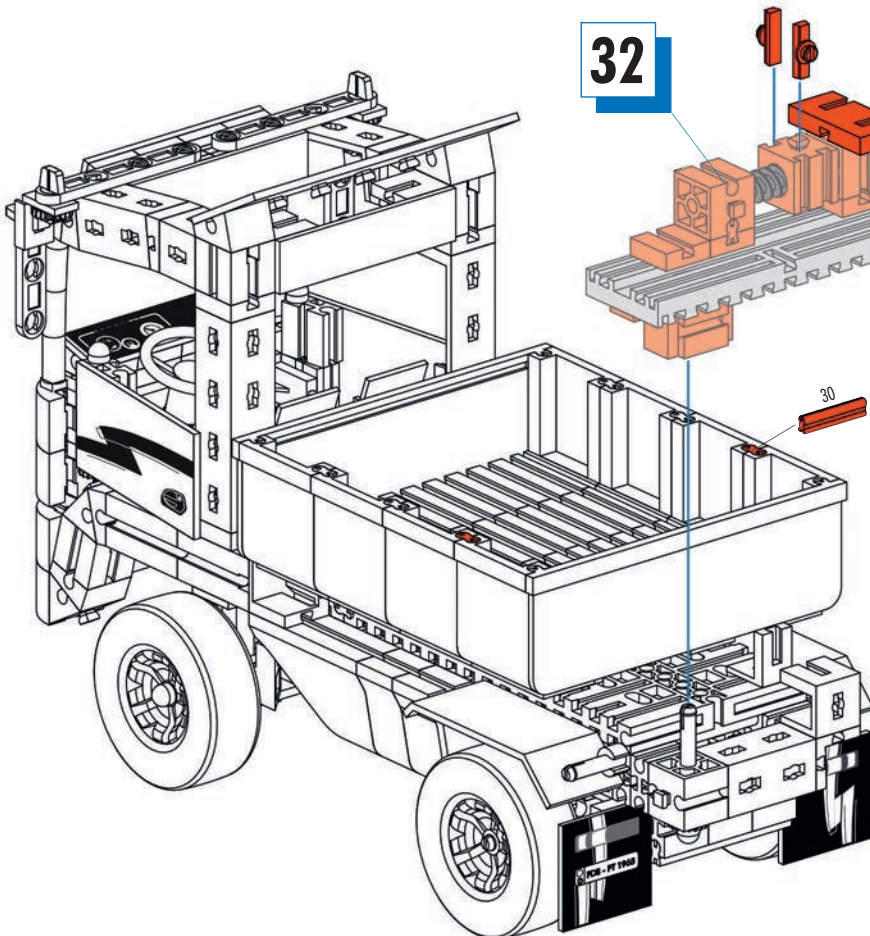
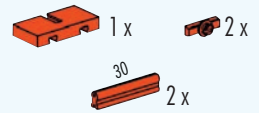
32

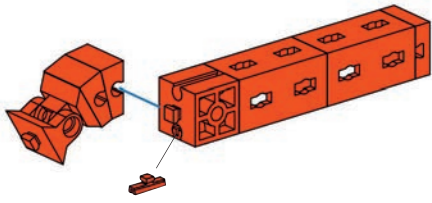


32



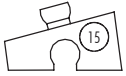
33





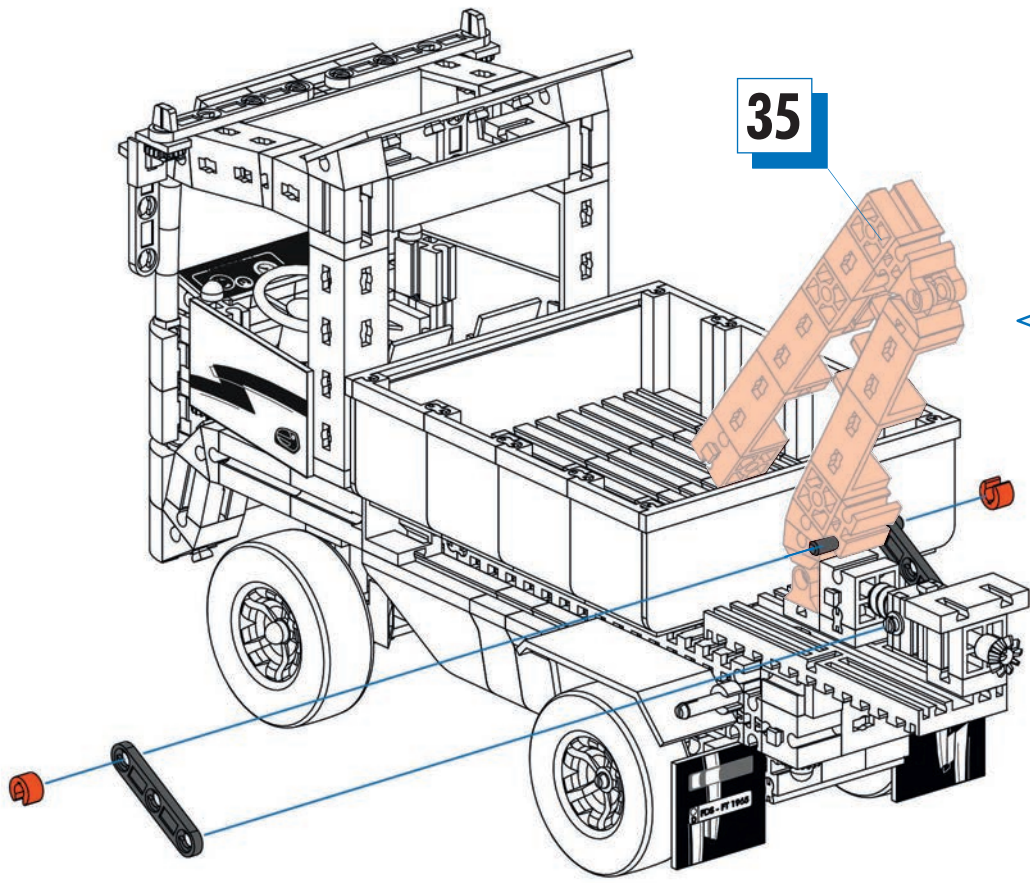
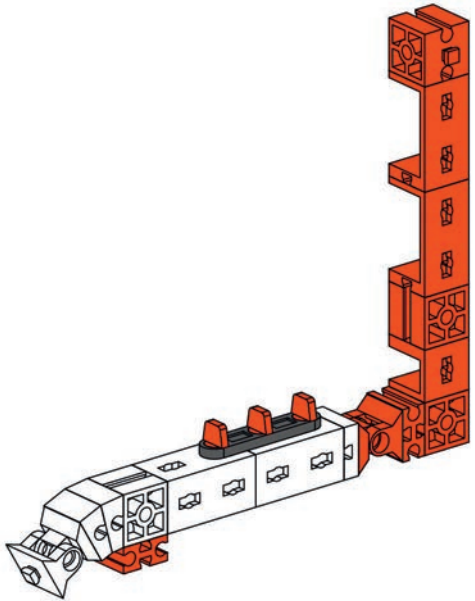
34

- 1 x [Red Technic 1x2 with hole]
- 1 x [Red Technic 1x2 with hole]
- 1 x [Red Technic 1x2 with hole]
- 1 x [Red Technic 1x2 with hole]
- 2 x [Red Technic 1x2 with hole]
- 2 x [Red Technic 1x2 with hole]



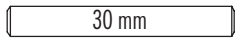
35

- 1 x [Red Technic 1x2 with hole]
- 3 x [Red Technic 1x2 with hole]
- 2 x [Red Technic 1x2 with hole]
- 1 x [Red Technic 1x2 with hole]
- 2 x [Red Technic 1x2 with hole]
- 3 x [Red Technic 1x2 with hole]
- 1 x [Red Technic 1x2 with hole]



36

- 2 x [Red Technic 1x2 with hole]
- 1 x [Red Technic 1x2 with hole]
- 2 x [Red Technic 1x2 with hole]



37

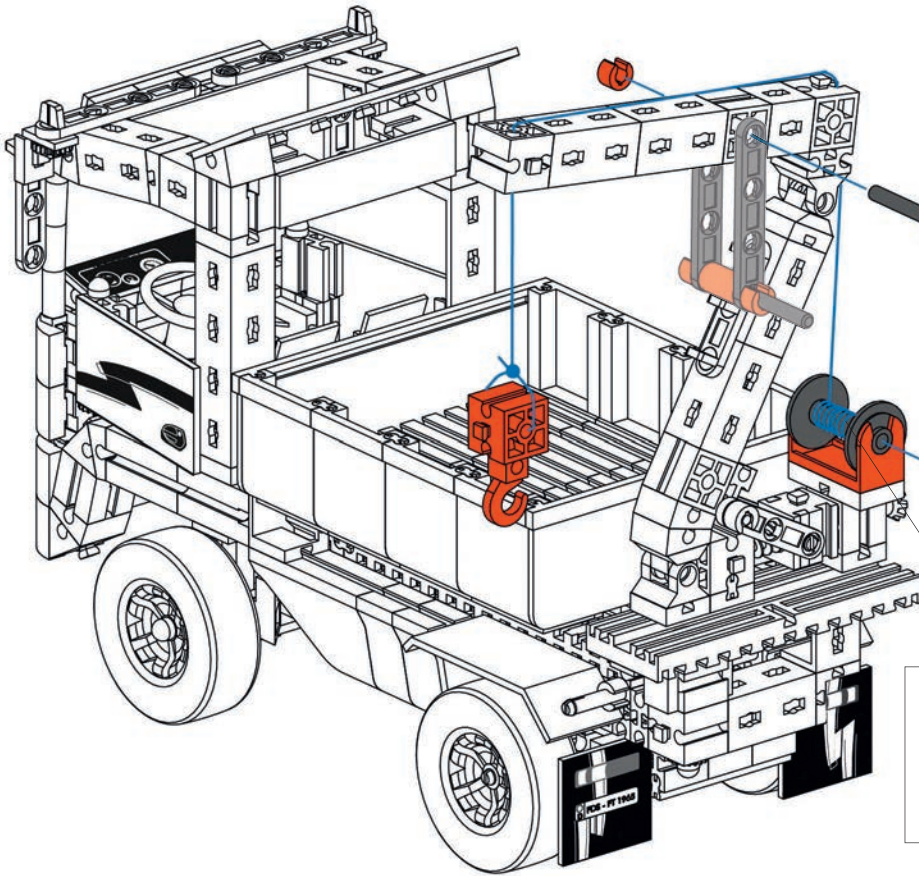
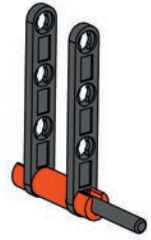
50 1 x

1 x

45 2 x

2 x

50 mm



38

1 x

1 x

1 x

1 x

1 x

1 x

2 x

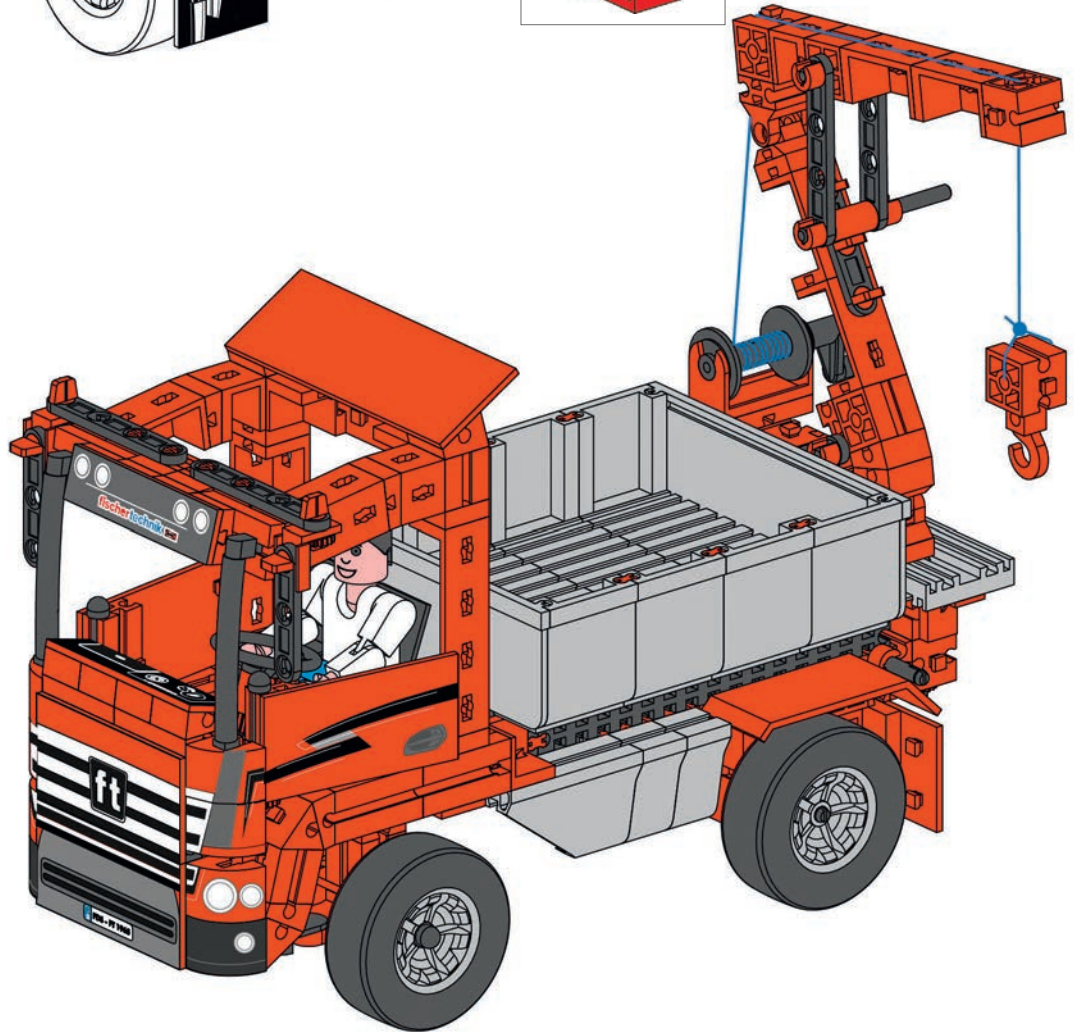
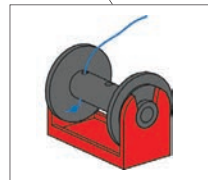
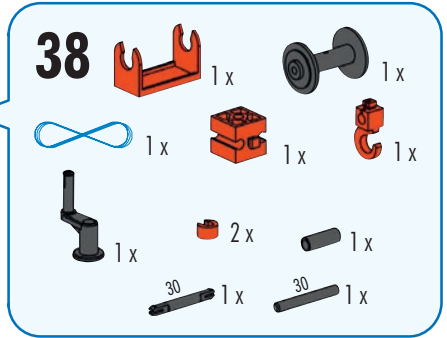
1 x

30 1 x

30 1 x

30 mm

30 mm



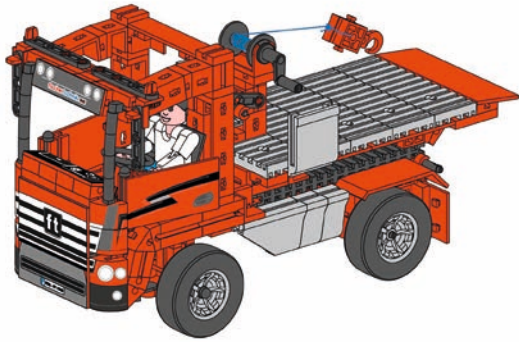
Abschleppwagen
Tow truck
Dépanneuse

Kraanwagen
Coche-grúa
Carro reboque

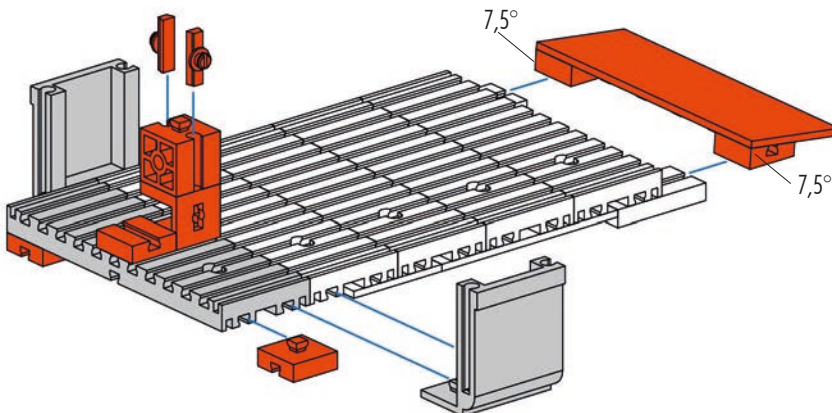
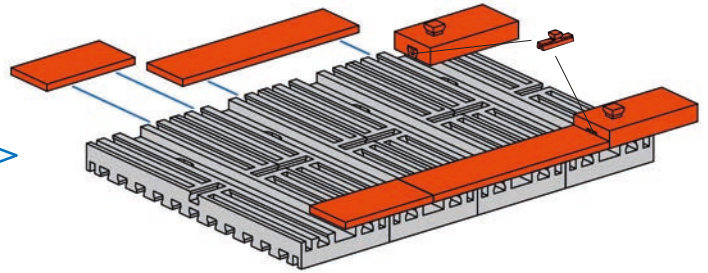
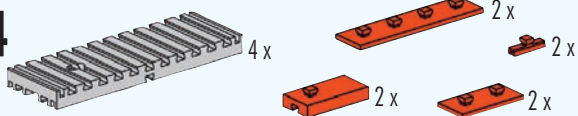
Carro attrezzi
Автомобиль-эвакуатор
牽引車

1-23

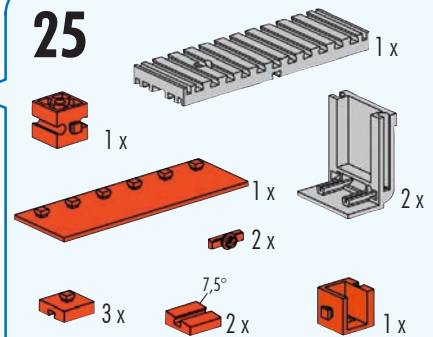
Seite 4
Page 4
Page 4
Bladzijde 4
Página 4
Pagina 4
Página 4
Страница 4
页次 4

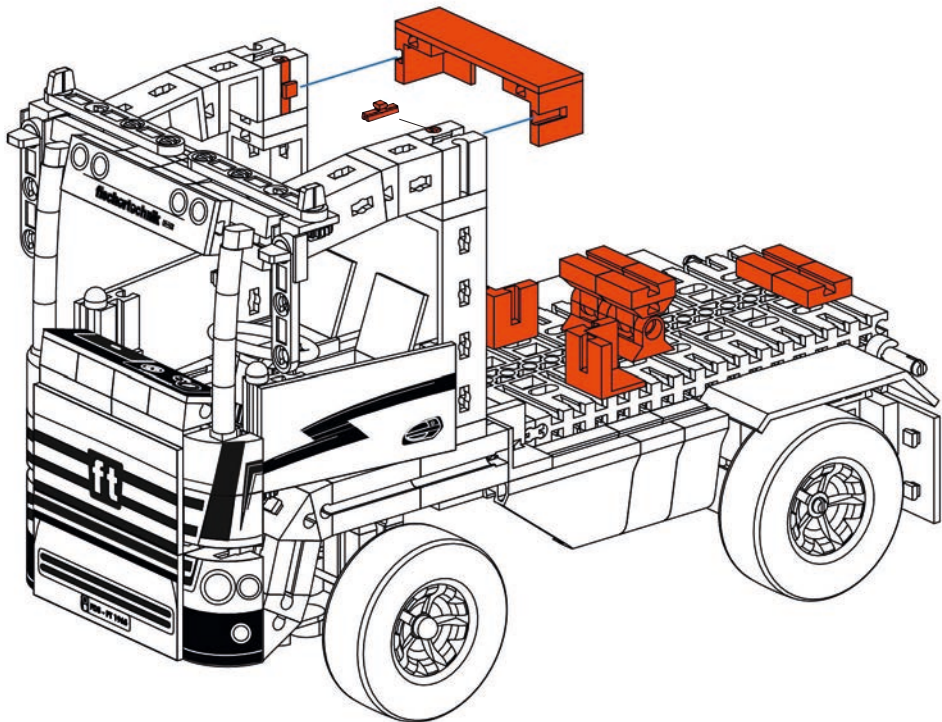
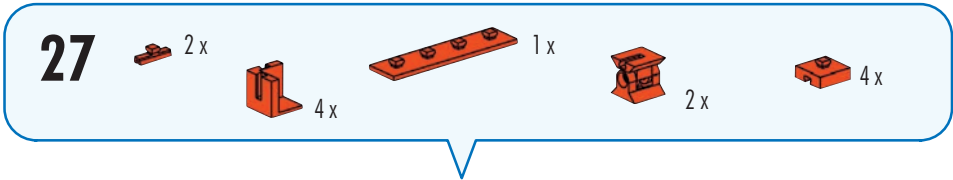
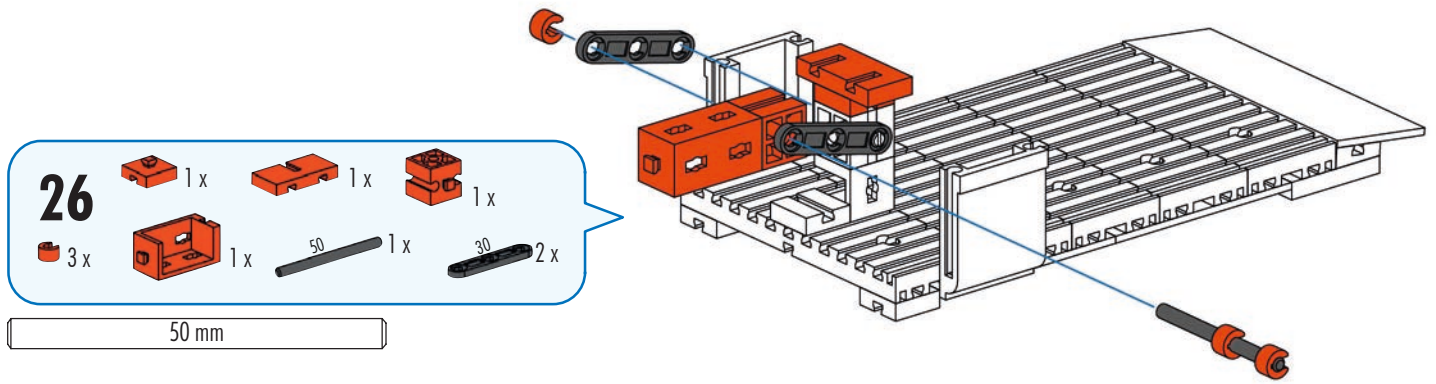


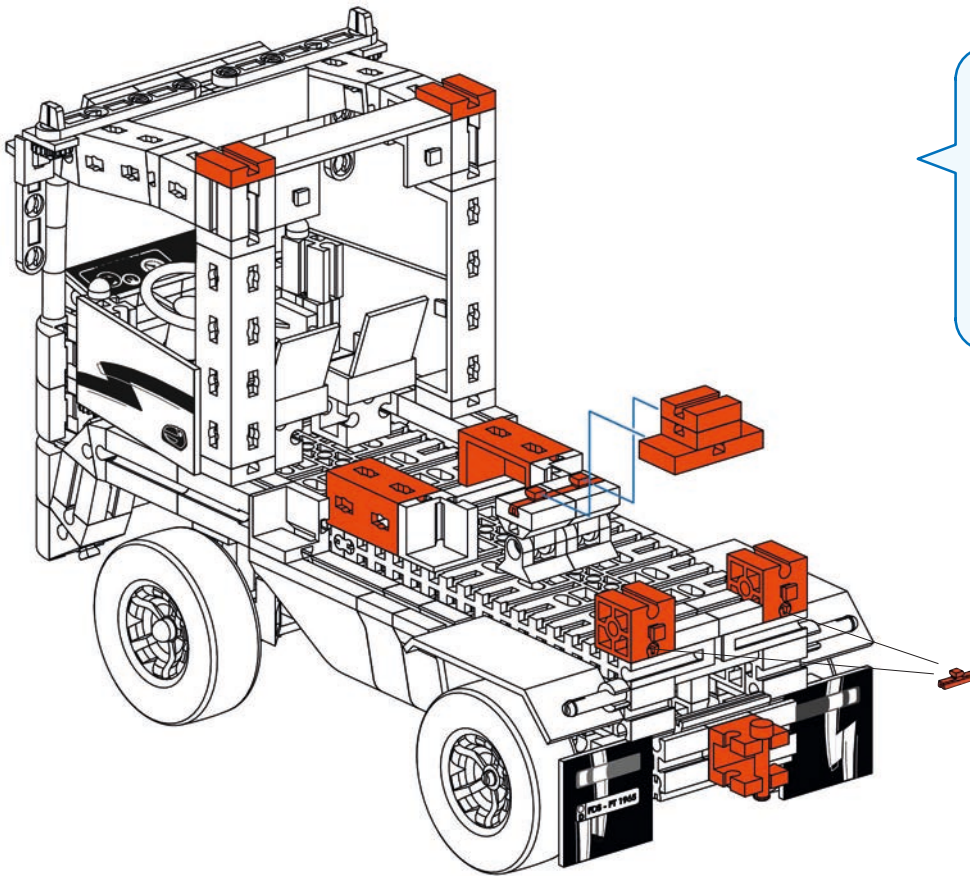
24



25

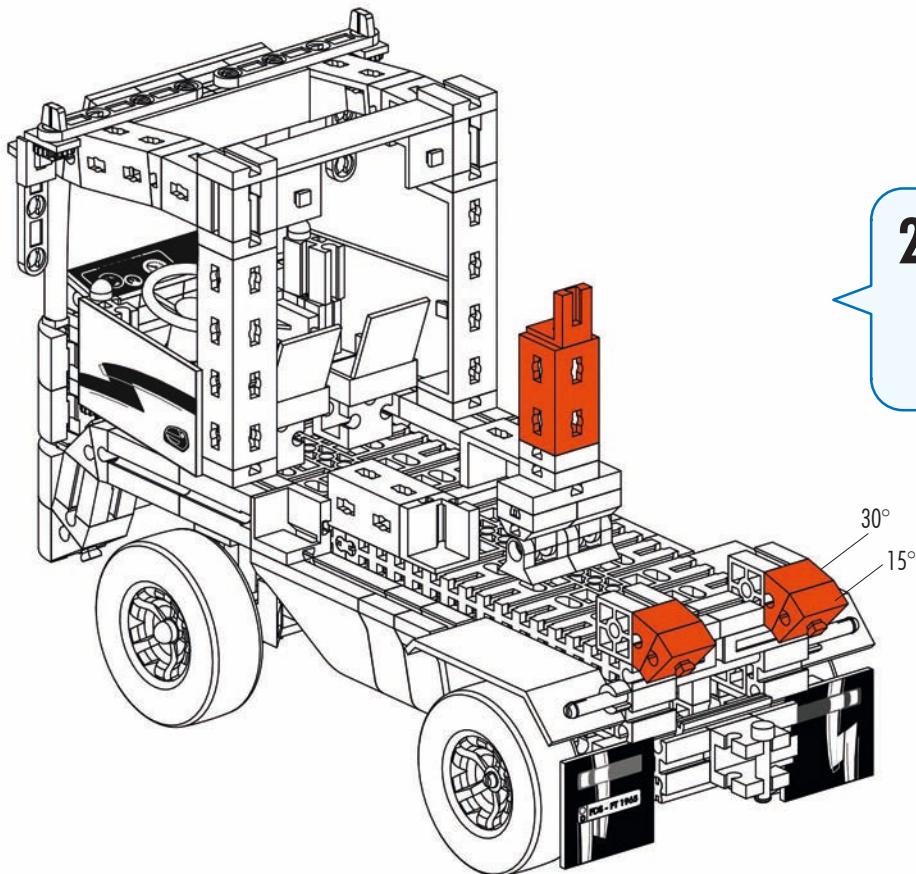






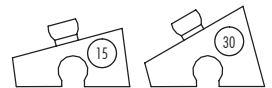
28

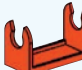







- 2x 1x3 Technic Brackets
- 4x 1x2 Technic Brackets
- 2x 1x2 Technic Brackets with a hole
- 1x 1x2 Technic Brackets with a hole
- 4x 1x2 Technic Brackets
- 1x 1x2 Technic Brackets with a hole
- 1x Technic Pin

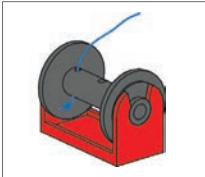


29

- 1x 1x3 Technic Bracket
- 1x 1x2 Technic Bracket with a hole
- 2x 30° Technic Brackets
- 2x 15° Technic Brackets

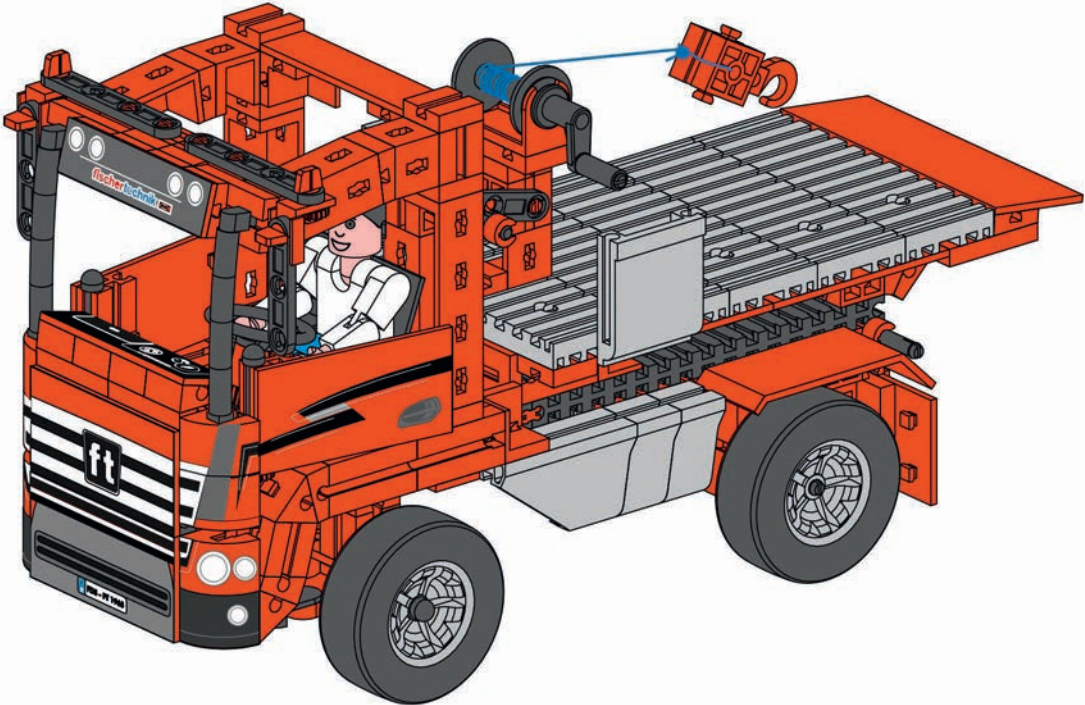
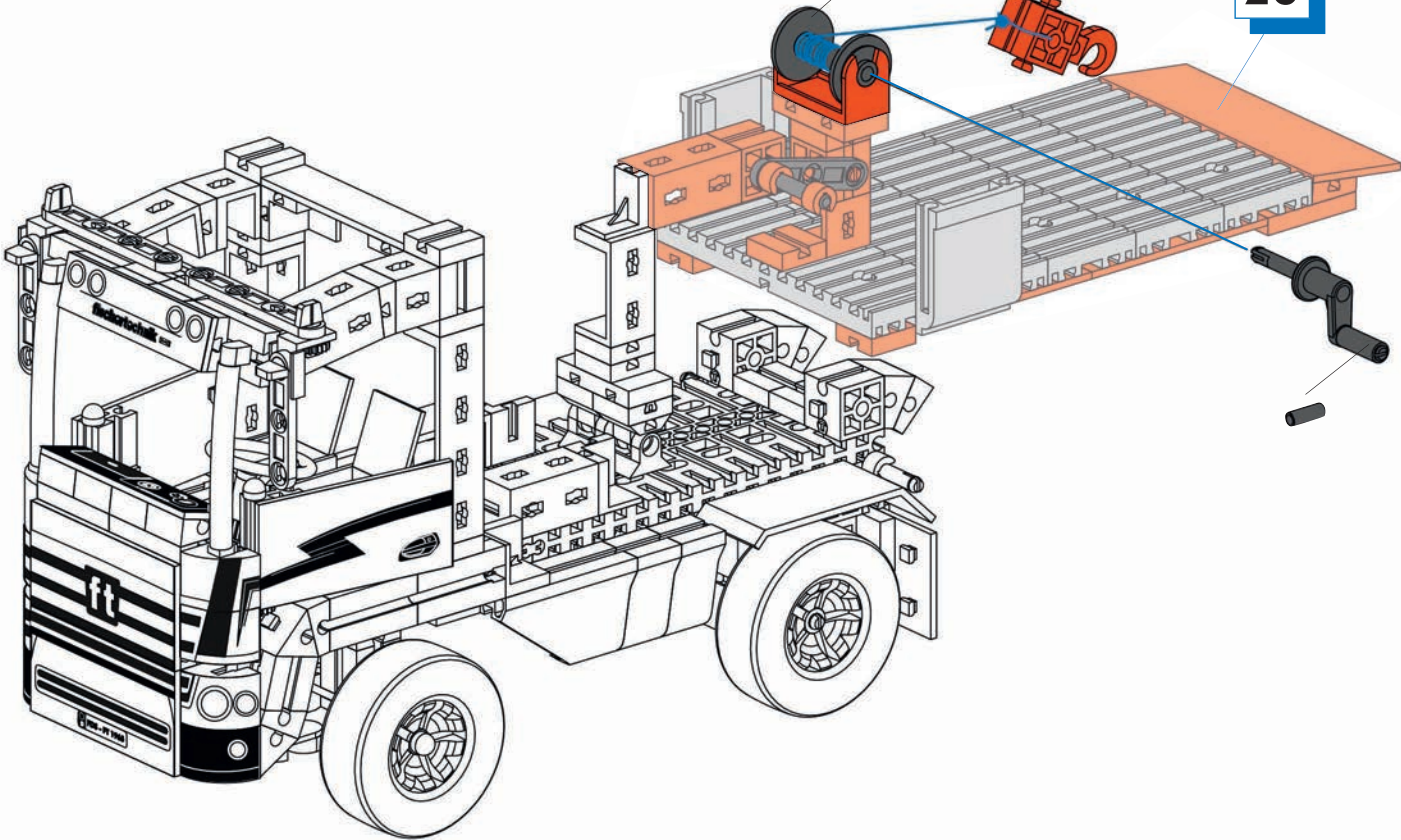


30  1x  1x  1x  1x
 1x  1x  1x  1x



26

30 mm

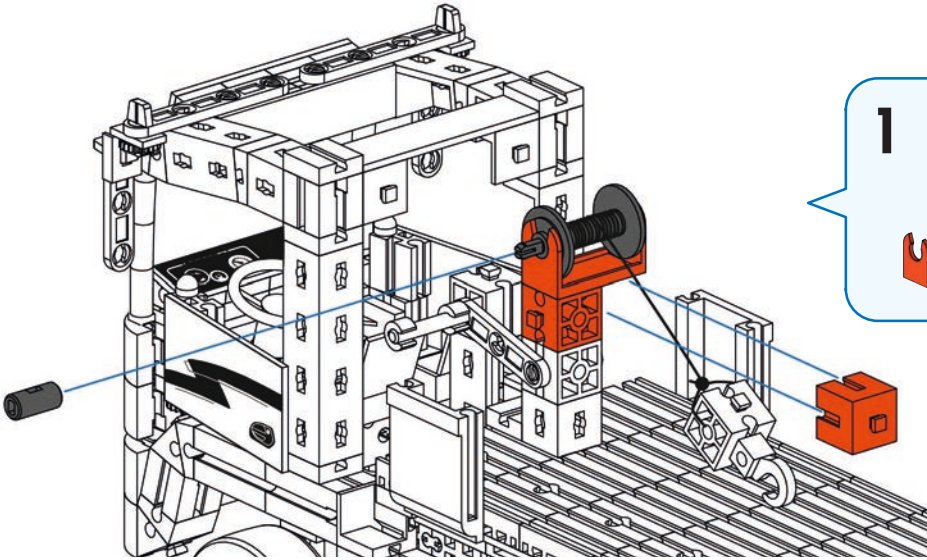


Motorisierung
Motorization
Motorisation

Motorisering
Motorización
Motorizaçã

Motorizzazione
Приводной механизм
电动卷扬机 机动化与遥控

Motor Set XS
505 281



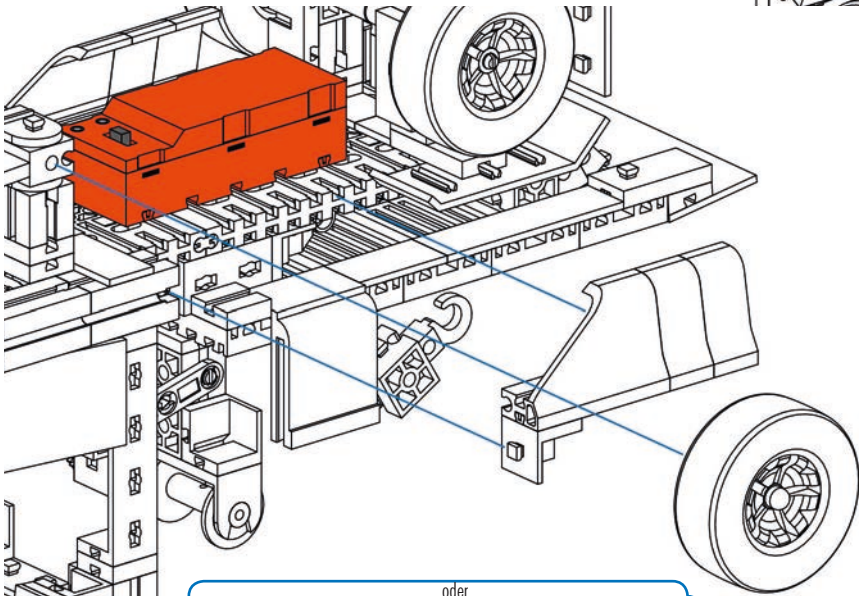
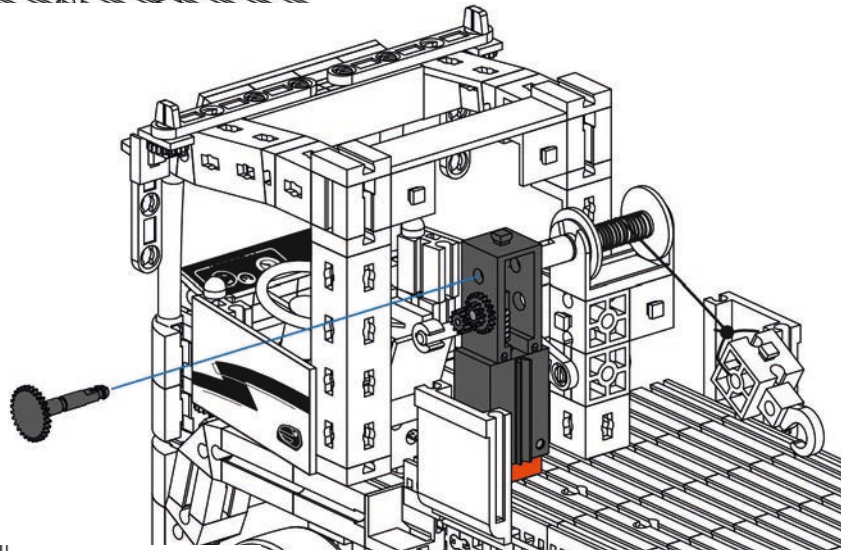
1

- 1 x [Red L-shaped Technic brick]
- 1 x [Red Technic brick with hole]
- 1 x [Black axle pin]
- 1 x [Red Technic brick with hole]
- 1 x [Black axle with gear]
- 1 x [Black rubber band]
- 1 x [Black axle with length 30]

30 mm

2

- 1 x [Red Technic brick]
- 1 x [Black motor]
- 1 x [Black motor]
- 1 x [Black axle with gear]

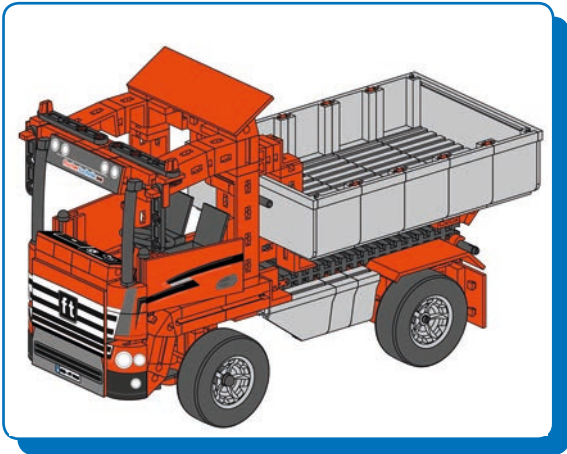


3

- 1 x [Red Technic chassis]
- 4 x [Red Technic brick]

oder
or
ou
of
o
или
或

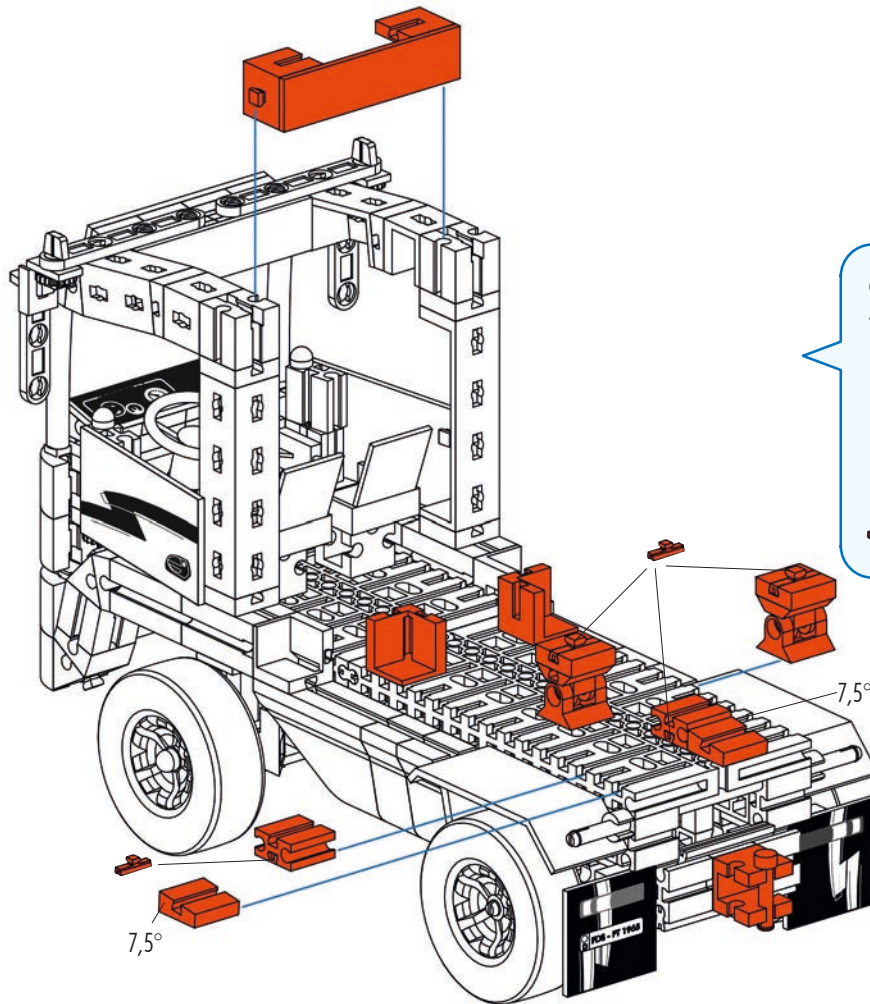
Lenkung, Fernsteuerung und Blinklichter siehe Seite 11-15
Control, remote control and flashing lights, see page 11-15
Guidage, télécommande et feux clignotants : voir page 11-15
Besturing, afstandsbesturing en knipperlichten zie pagina 11-15
Dirección, mando a distancia y luces intermitentes, ver pág. 11-15
Direcção, telecomando e luzes pisca-pisca, vide página 11-15
Per lo sterzo, il telecomando e le luci di direzione vedi pagine 11-15
Рулевое управление, дистанционное управление и проблесковые маячки: см. страницы 11-15
转向装置, 遥控和闪光灯参见第11至15页



Container Truck
 Контейнеровоз
 集装箱拖车

1-23

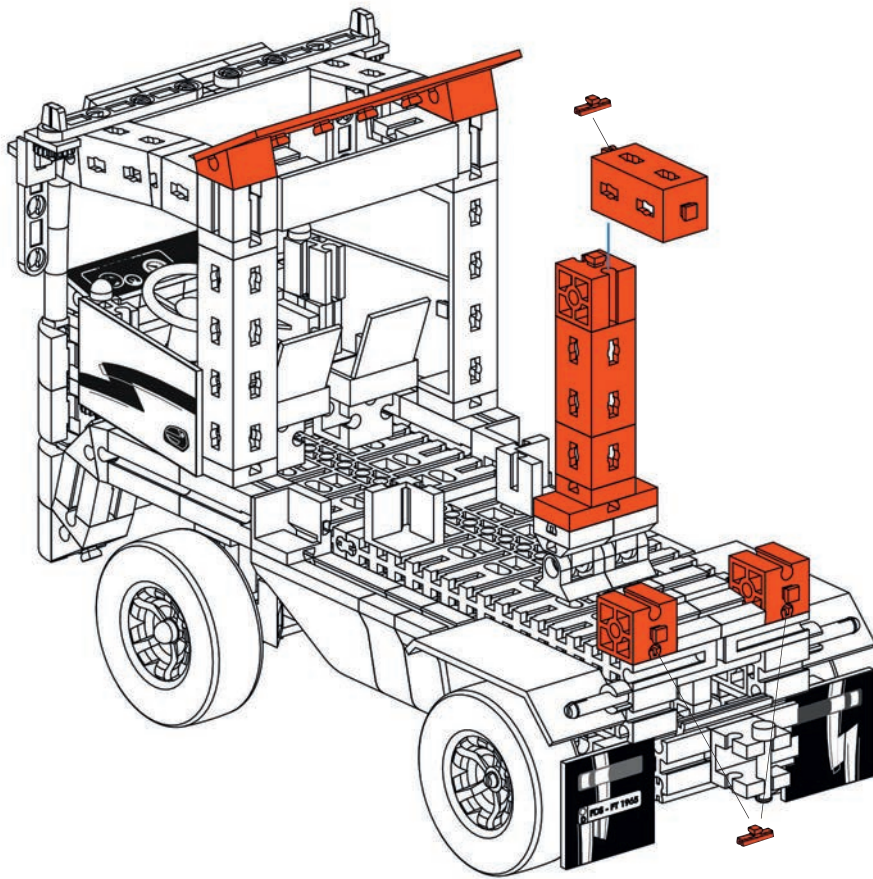
Seite 4
 Page 4
 Page 4
 Bladzijde 4
 Página 4
 Pagina 4
 Pagina 4
 Страница 4
 页次 4



24

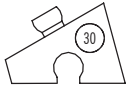
	4 x		1 x
	2 x		2 x
	1 x		1 x
	4 x		2 x
			2 x





25

- 1x 1x4 Technic beam (red)
- 2x 30° Technic wedge (red)
- 3x 1x1 Technic pin (red)
- 2x 1x1 Technic bush (red)
- 1x 1x2 Technic Technic connector (red)
- 1x 1x1 Technic Technic connector (red)
- 2x 1x2 Technic Technic connector (red)
- 1x 1x1 Technic Technic connector (red)

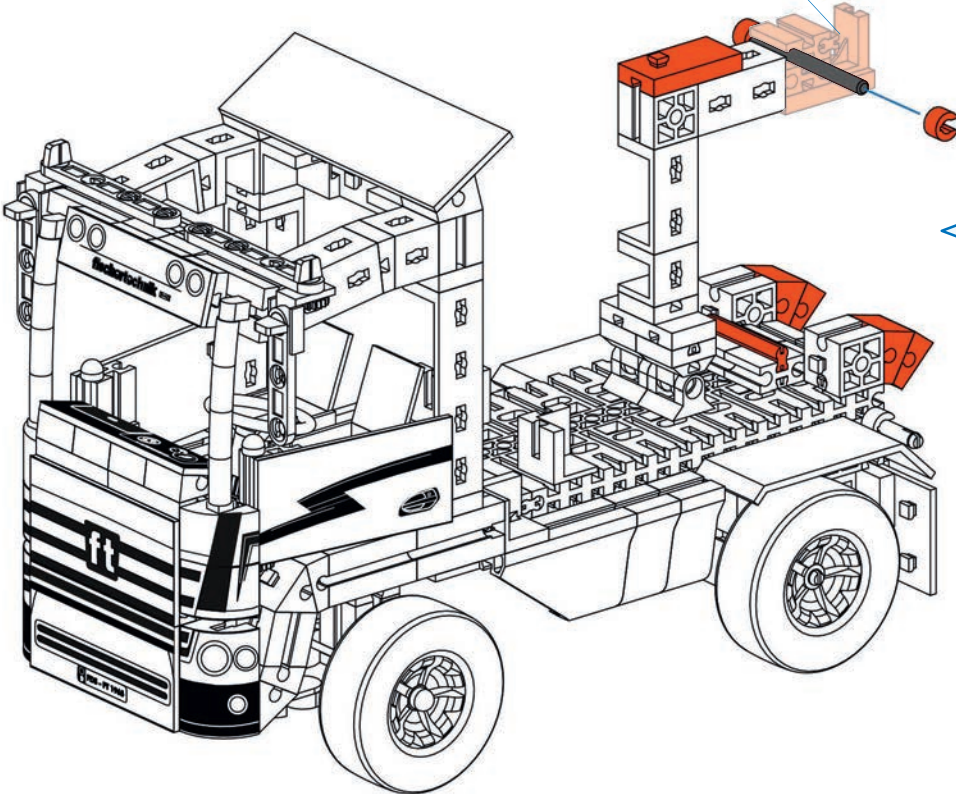


26

- 1x 1x1 Technic Technic connector (red)
- 1x 1x2 Technic Technic connector (red)
- 2x 1x1 Technic Technic connector (red)
- 2x 1x1 Technic pin (red)
- 1x 15° Technic wedge (red)

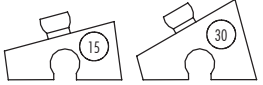
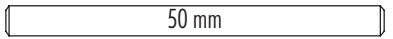


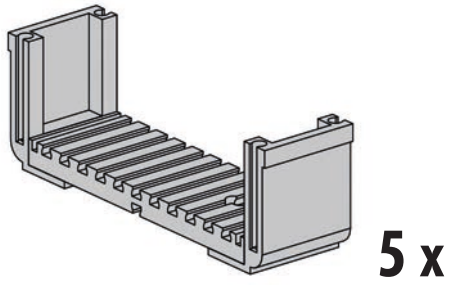
26



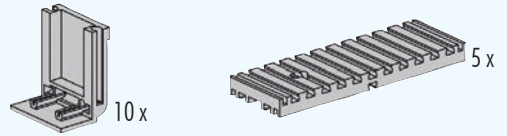
27

- 1x 1x4 Technic beam (red)
- 1x 30° Technic wedge (red)
- 2x 15° Technic wedge (red)
- 2x 30° Technic wedge (red)
- 2x 1x1 Technic Technic connector (red)
- 1x 50 Technic axle (black)

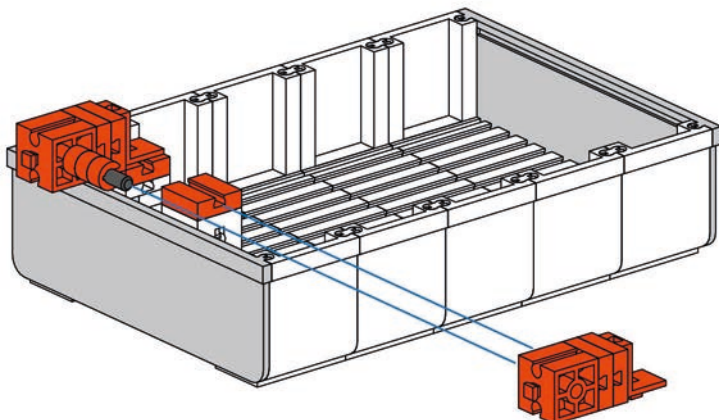
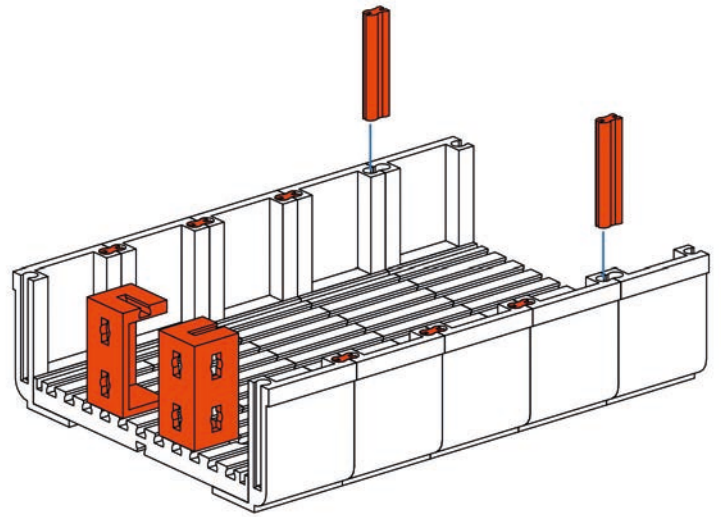
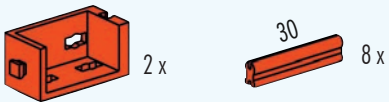




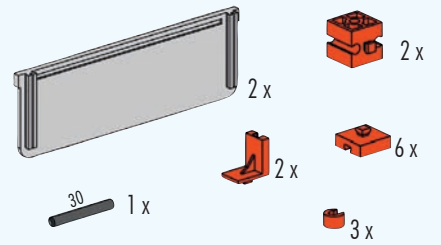
28



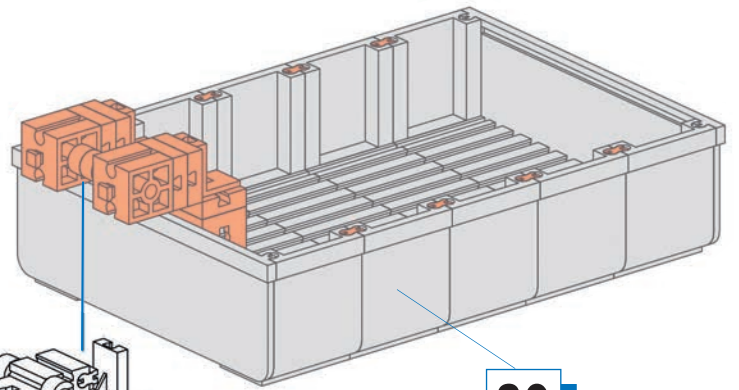
29



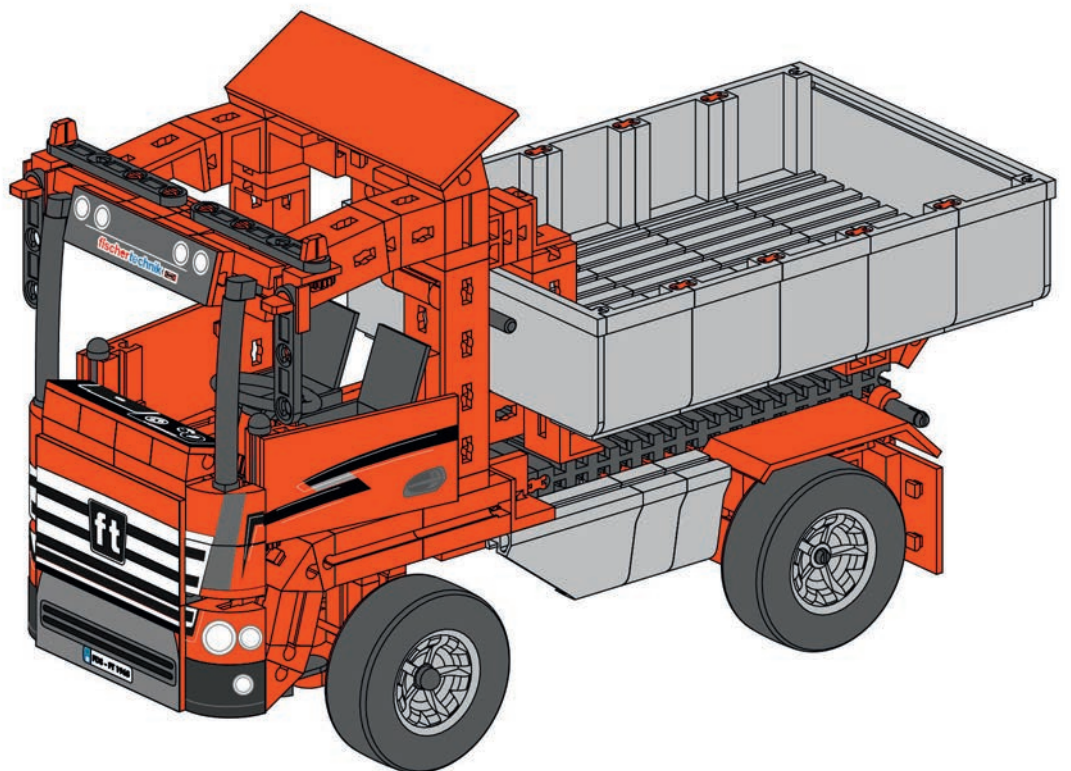
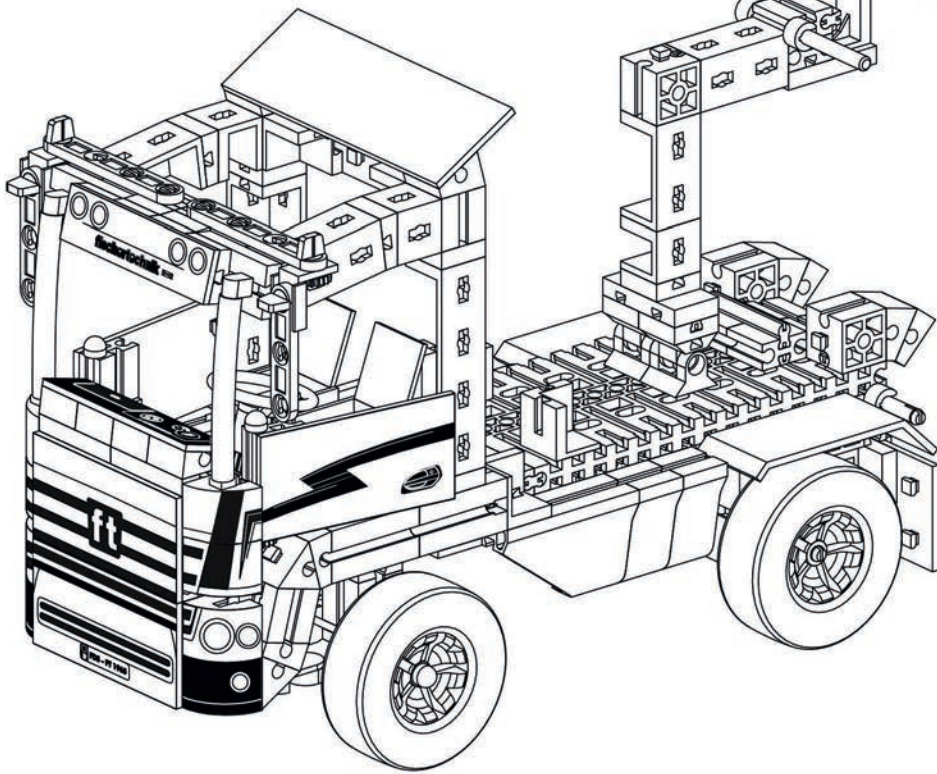
30

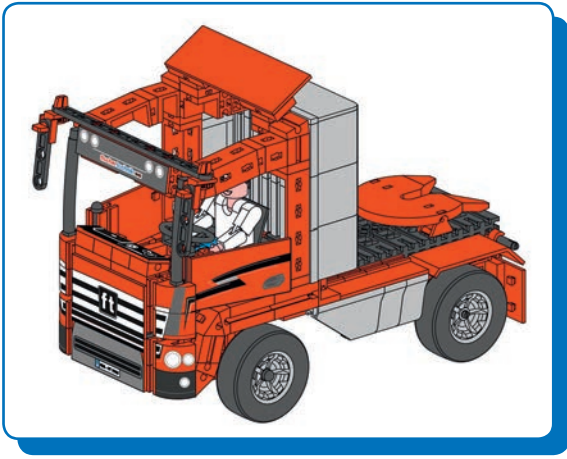


30 mm



30





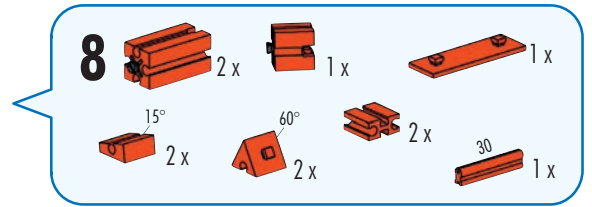
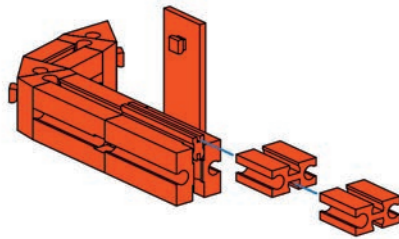
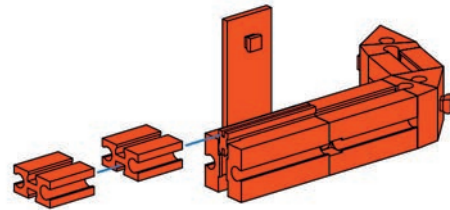
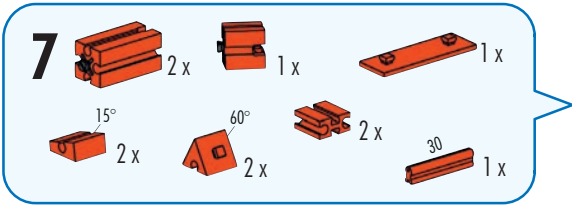
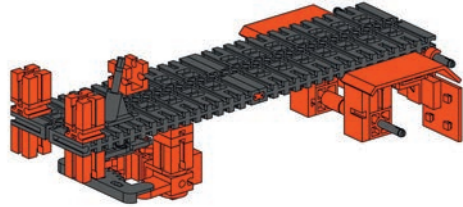
Sattelzugmaschine
Tractor unit
Véhicule tracteur

Truck met oplegger
Vehículo tractor
Veículo trator

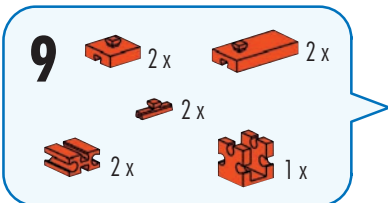
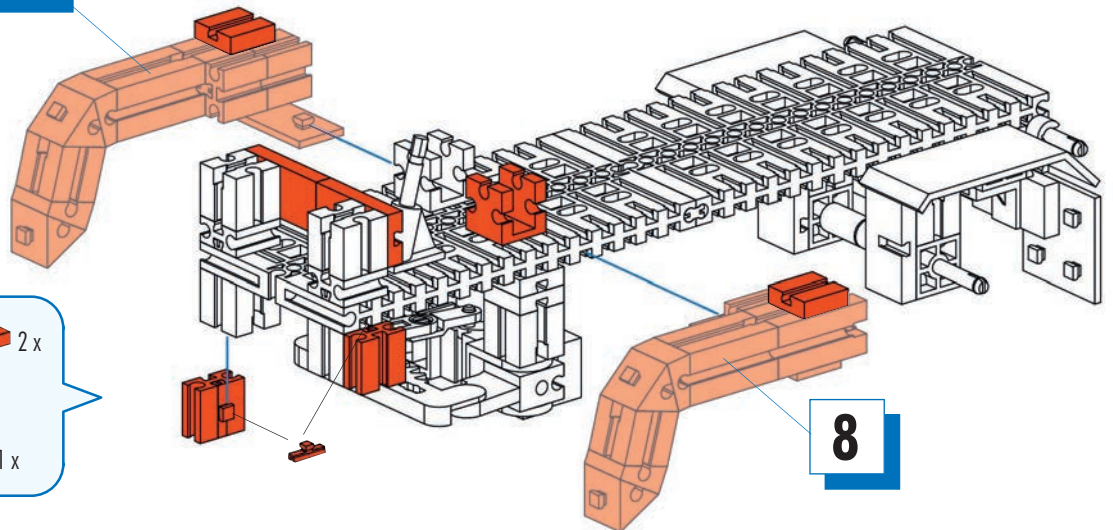
Trattore per
semirimorchio
Седельный тягач
鞍式牵引车

1-6

Seite 4
Page 4
Page 4
Bladzijde 4
Página 4
Pagina 4
Página 4
Страница 4
页次 4

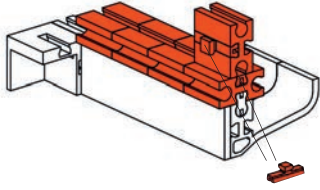
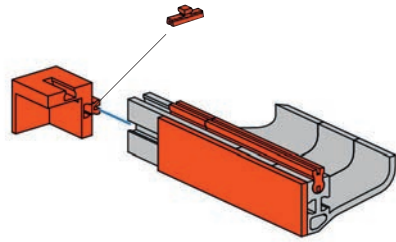
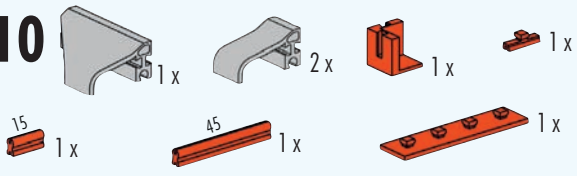


7

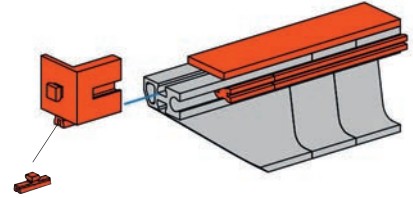
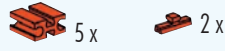


8

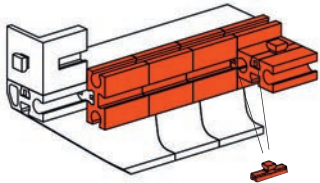
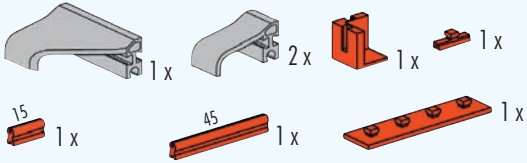
10



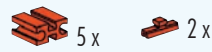
11



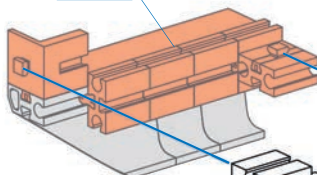
12



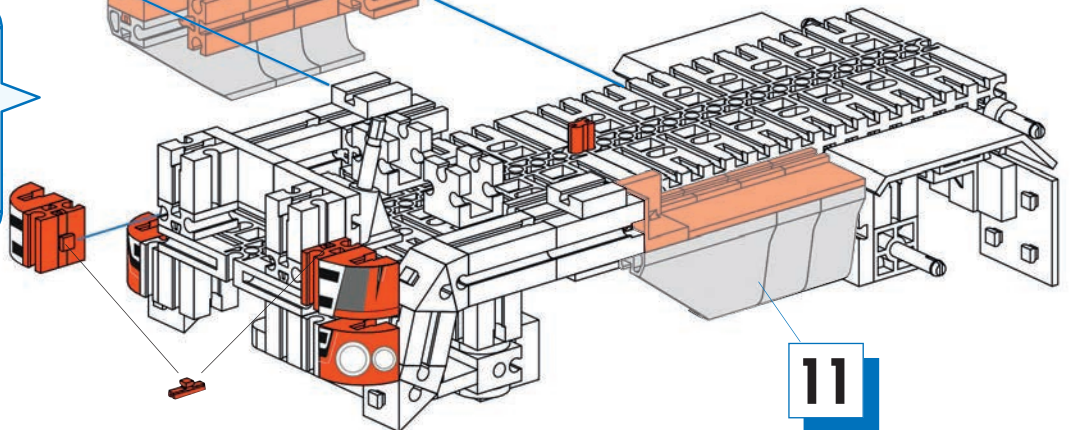
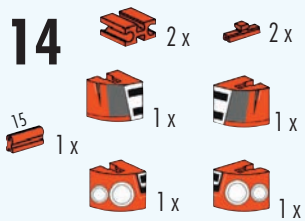
13



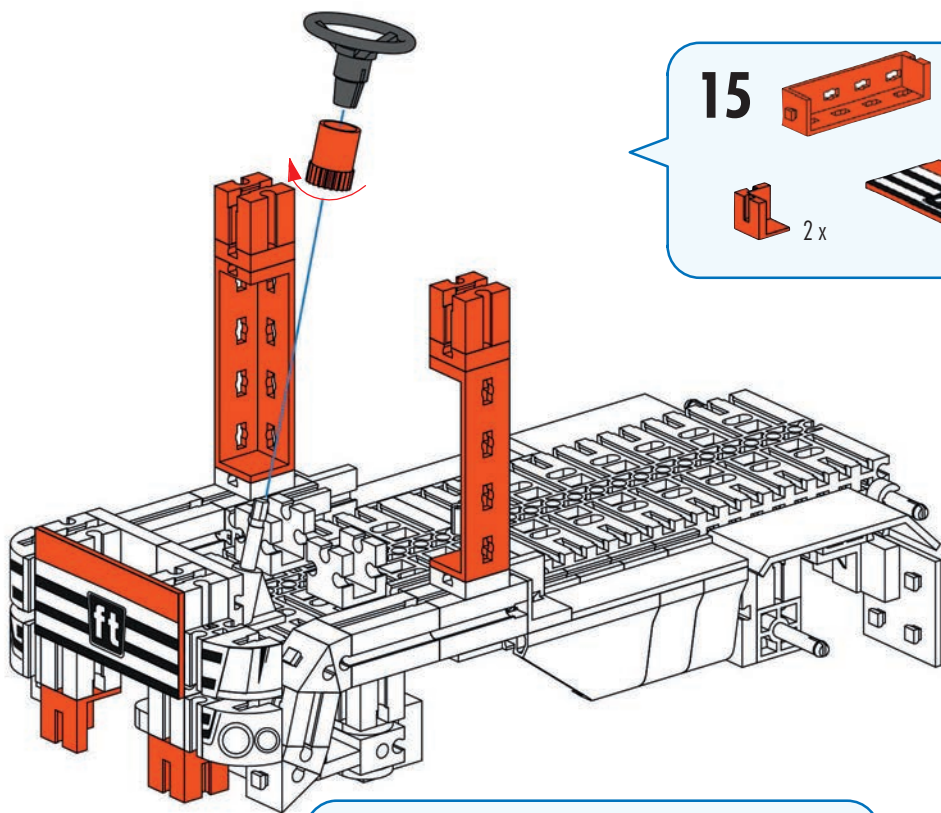
13



14

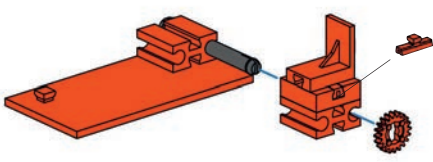
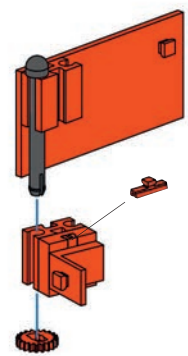


11

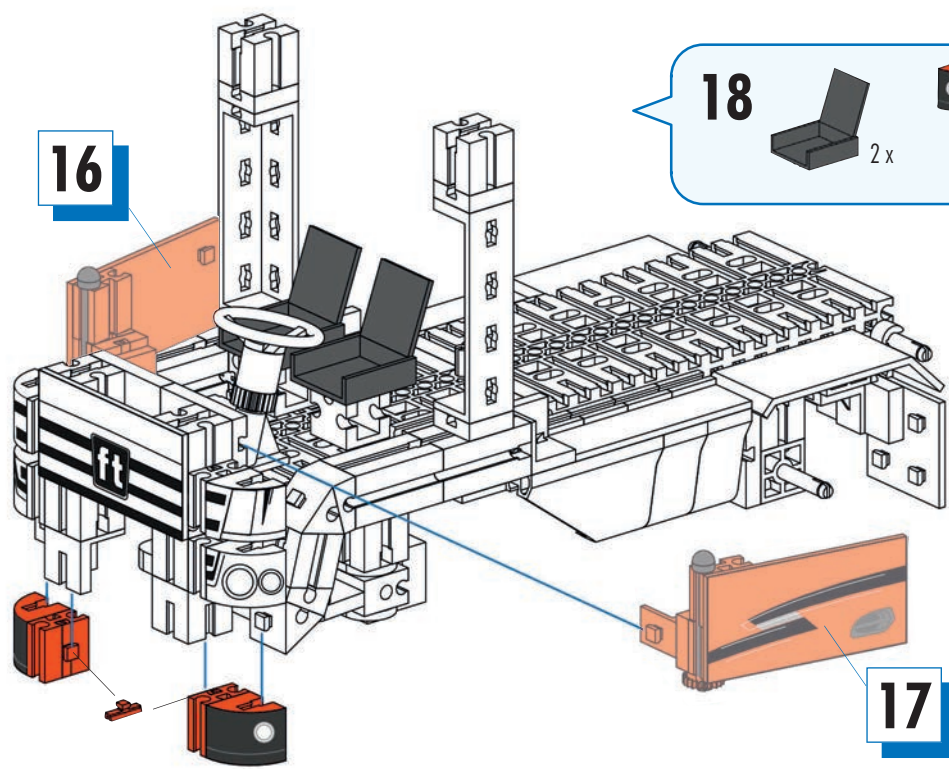


- 15**
- 2x Orange Technic Beam 1x5
 - 2x Orange Technic Pin
 - 2x Orange Technic Brick 1x2
 - 1x Orange Technic Pin
 - 1x Orange Technic Plate 1x5
 - 1x Black Steering Wheel
 - 1x Orange Technic Pin
 - 2x Orange Technic Pin

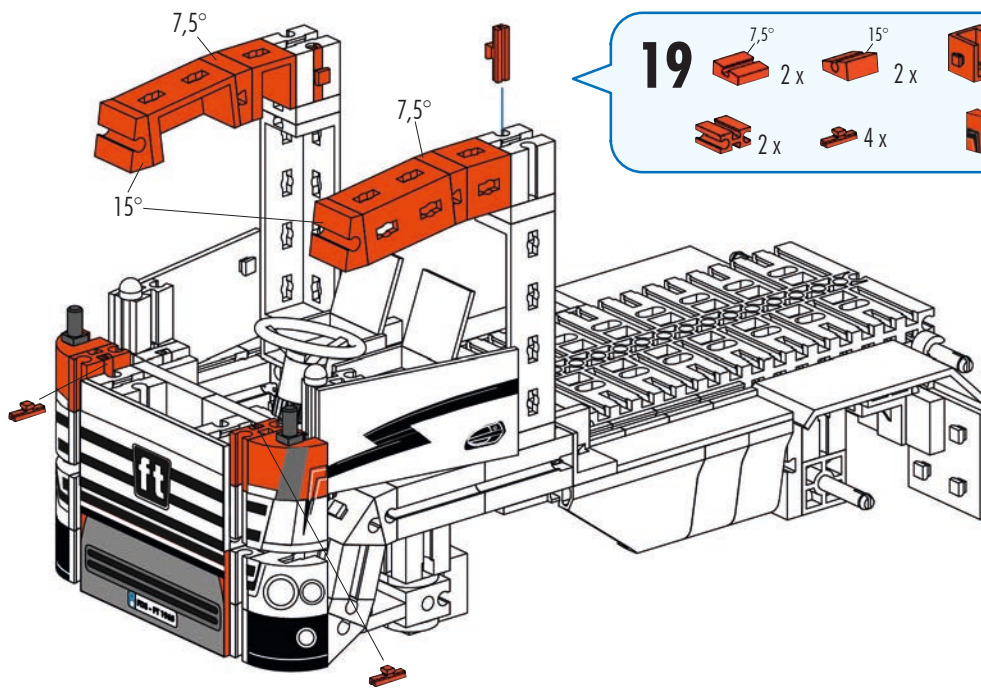
- 16**
- 1x Red Technic Plate 1x5
 - 1x Black Axle
 - 1x Orange Technic Brick 1x2
 - 1x Black Axle Pin
 - 1x Orange Technic Pin
 - 2x Orange Technic Pin
 - 1x Orange Technic Pin



- 17**
- 1x Red Technic Plate 1x5
 - 1x Black Axle
 - 1x Orange Technic Brick 1x2
 - 1x Black Axle Pin
 - 1x Orange Technic Pin
 - 2x Orange Technic Pin
 - 1x Orange Technic Pin



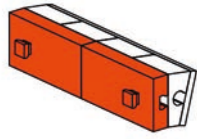
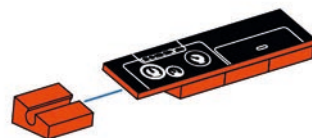
- 18**
- 2x Black Technic Seat
 - 1x Black Technic Pin
 - 2x Orange Technic Pin
 - 1x Black Technic Pin
 - 2x Orange Technic Pin



- 19**
- 7.5° 2x
 - 15° 2x
 - 2x
 - 2x
 - 1x
 - 2x
 - 2x
 - 1x
 - 1x
 - 2x

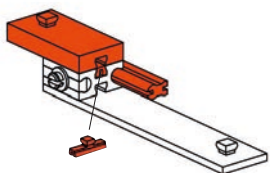
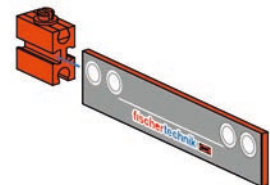


- 20**
- 15° 4x
 - 1x

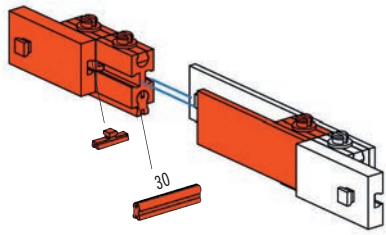


- 21**
- 2x

- 22**
- 1x
 - 1x
 - 1x

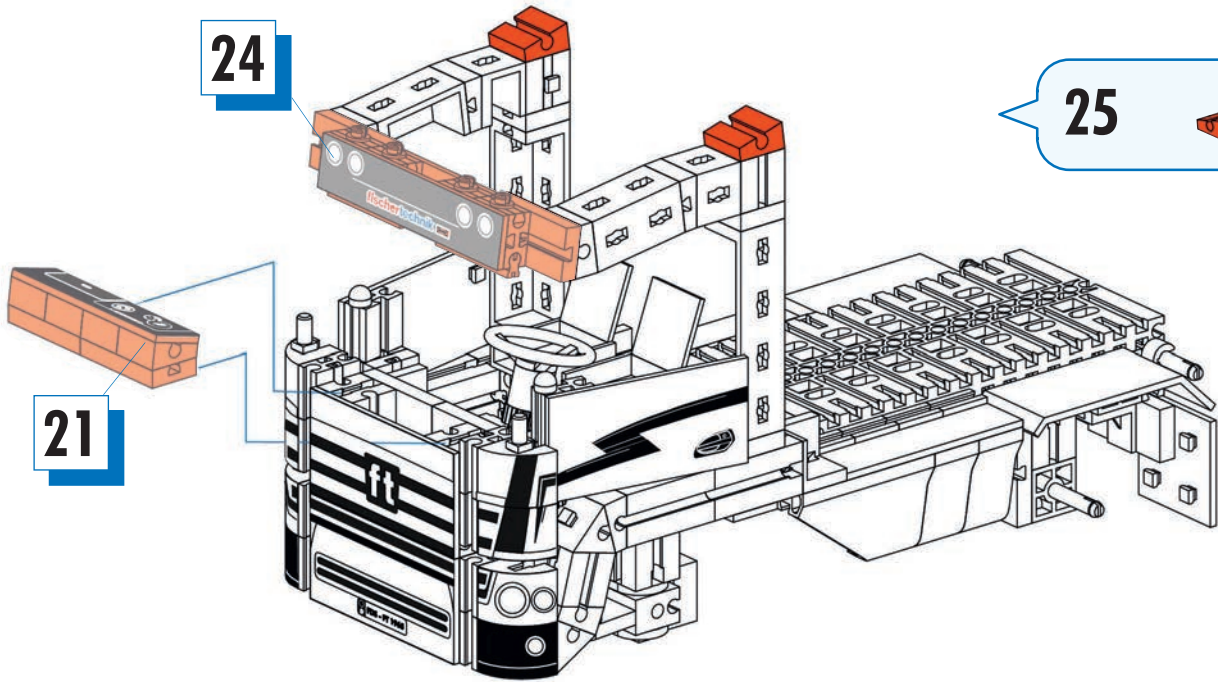


- 23**
- 1x
 - 1x
 - 30 1x



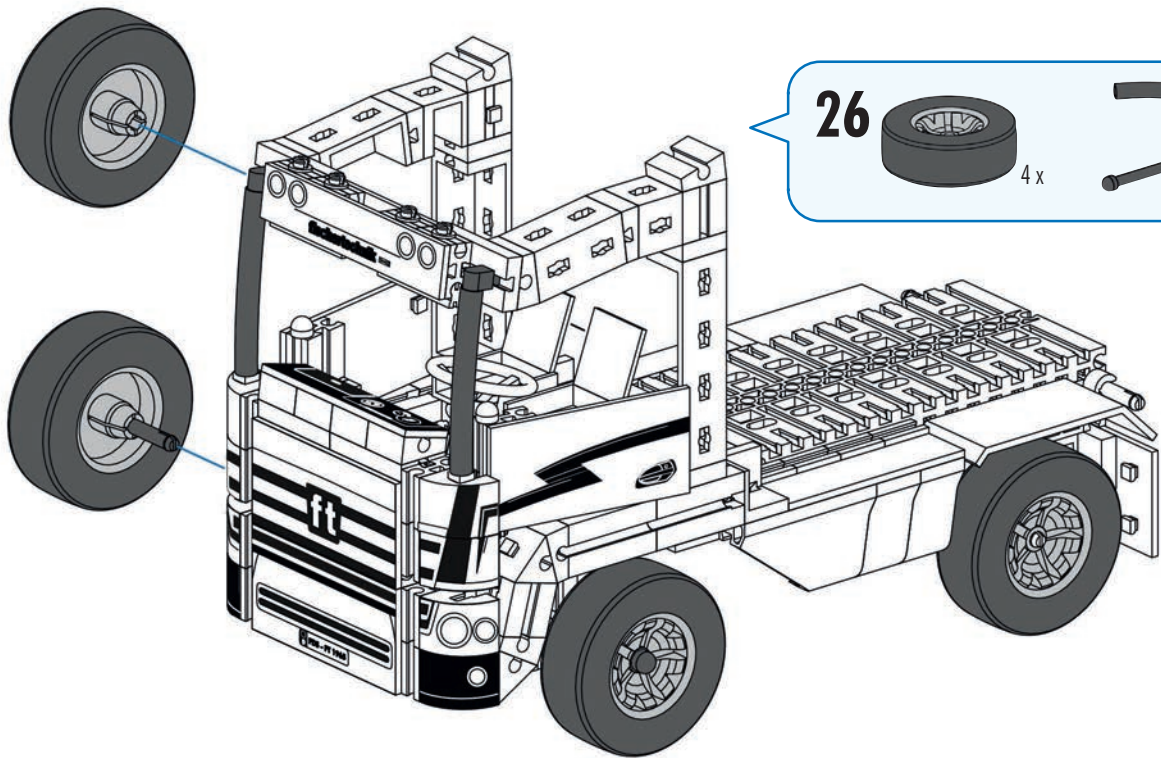
24 1x 1x 1x 3x 30 1x 1x

1x 1x 3x 30 1x 1x

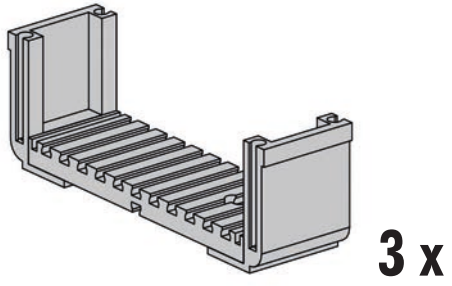


25 15° 2x

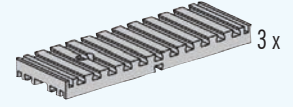
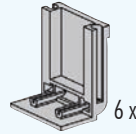
15



26 4x 2x 2x 2x



27



28



2 x



2 x

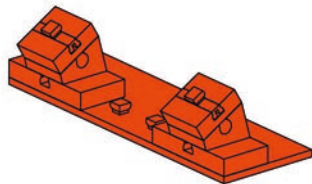
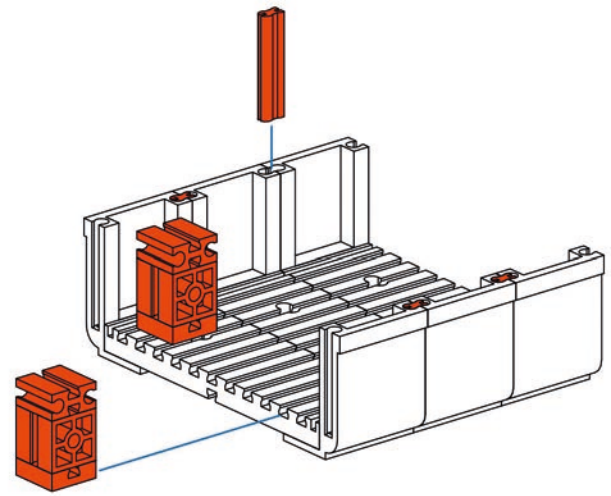


2 x

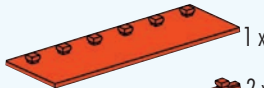


30

4 x



29



1 x



2 x



2 x

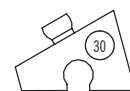


2 x



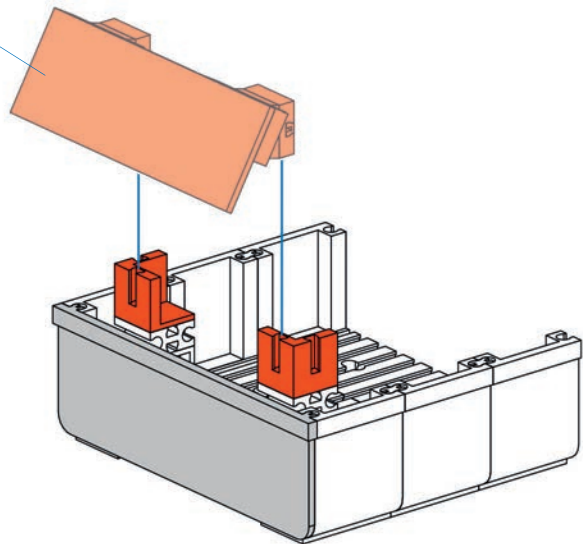
30°

2 x

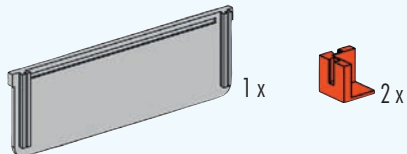


30

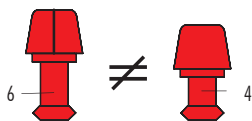
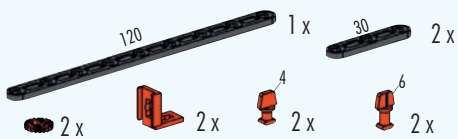
29



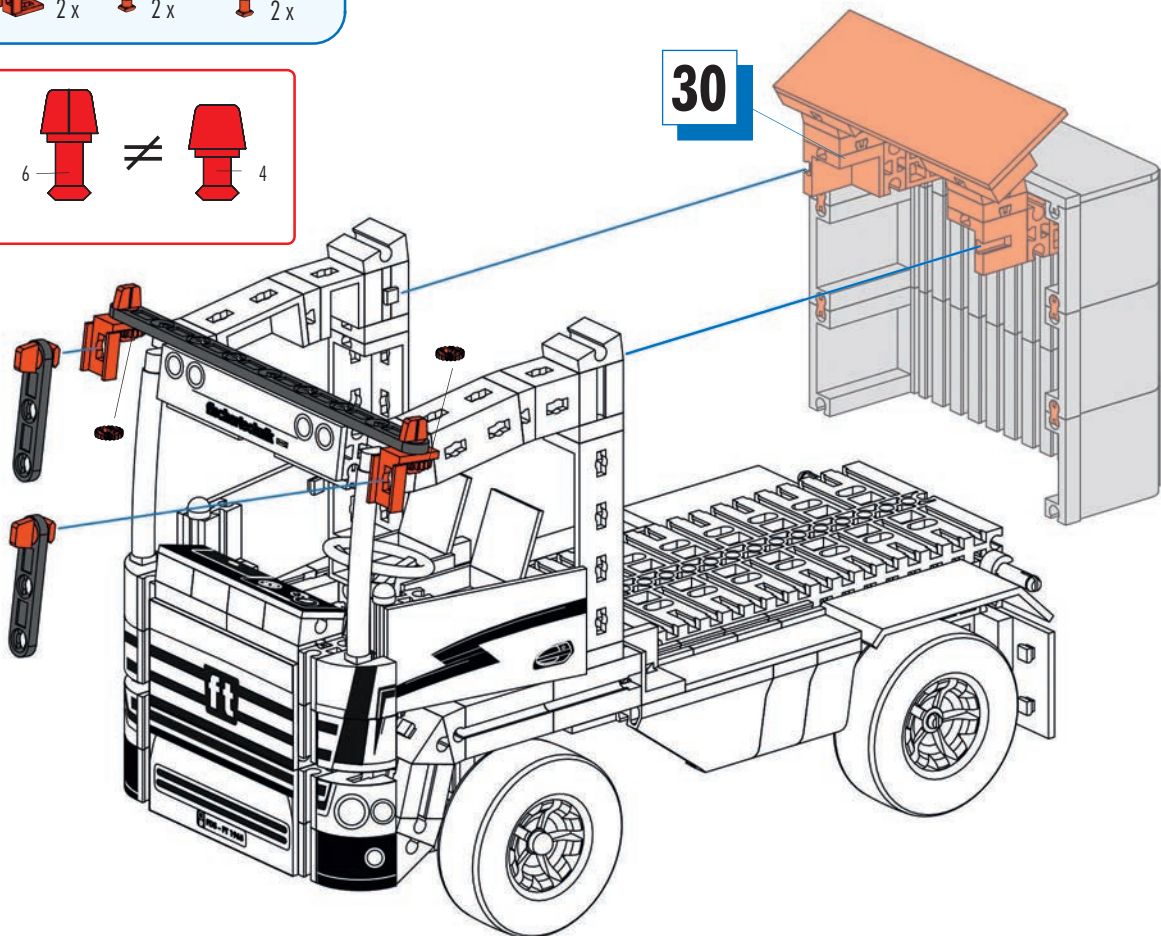
30





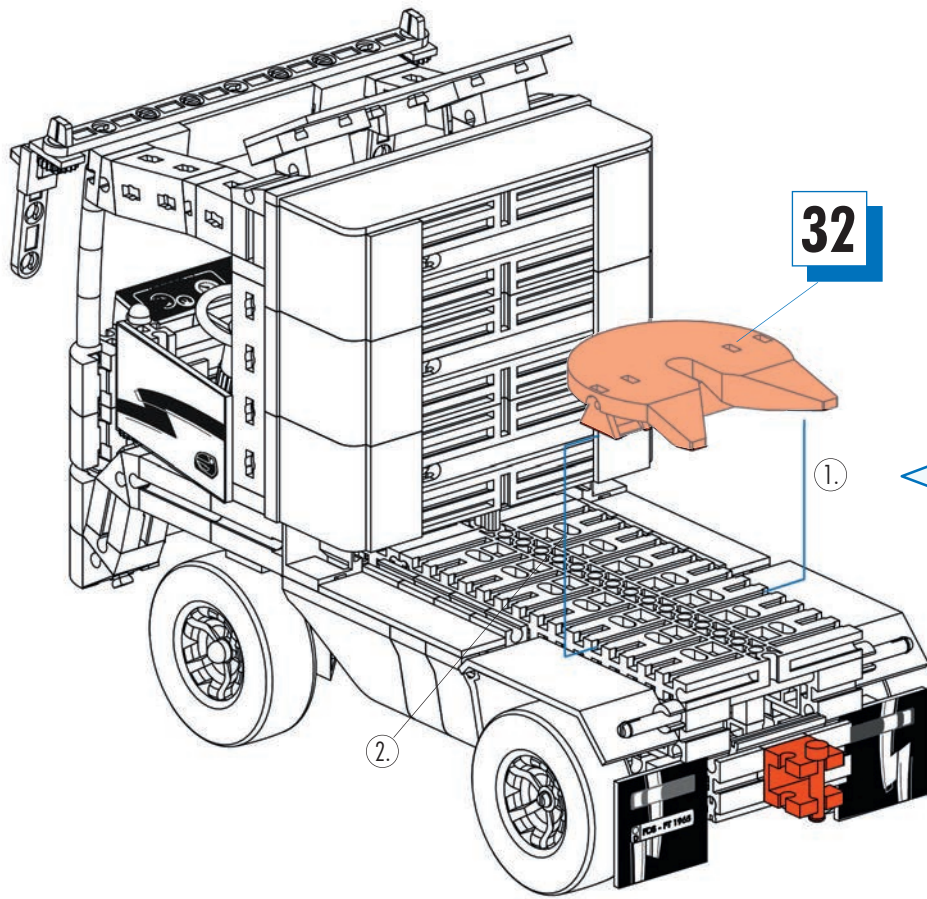
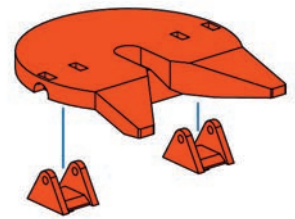
31





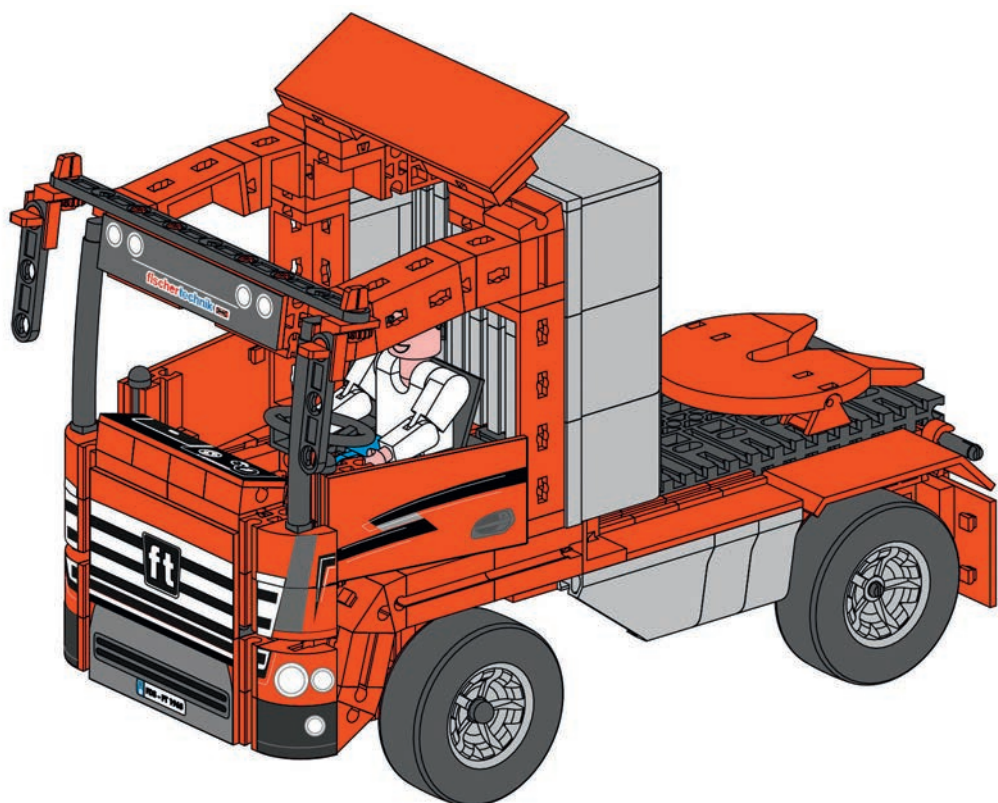
30



32  1x  2x



33  1x  1x

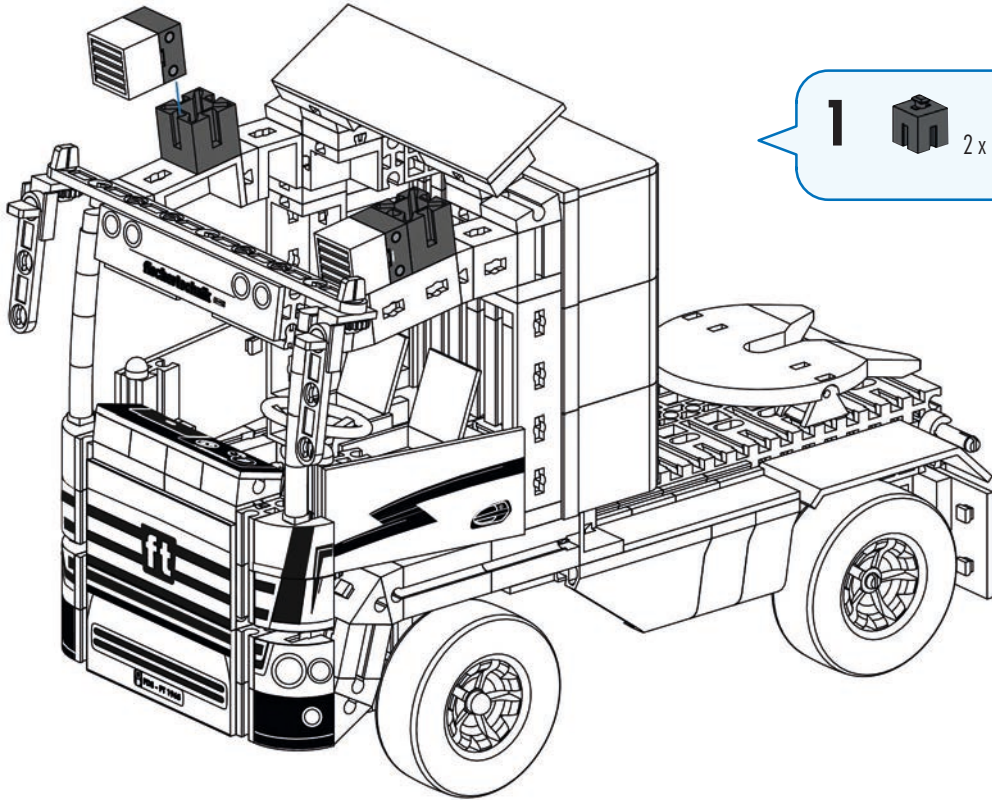





Beleuchtung
Lighting
Éclairage

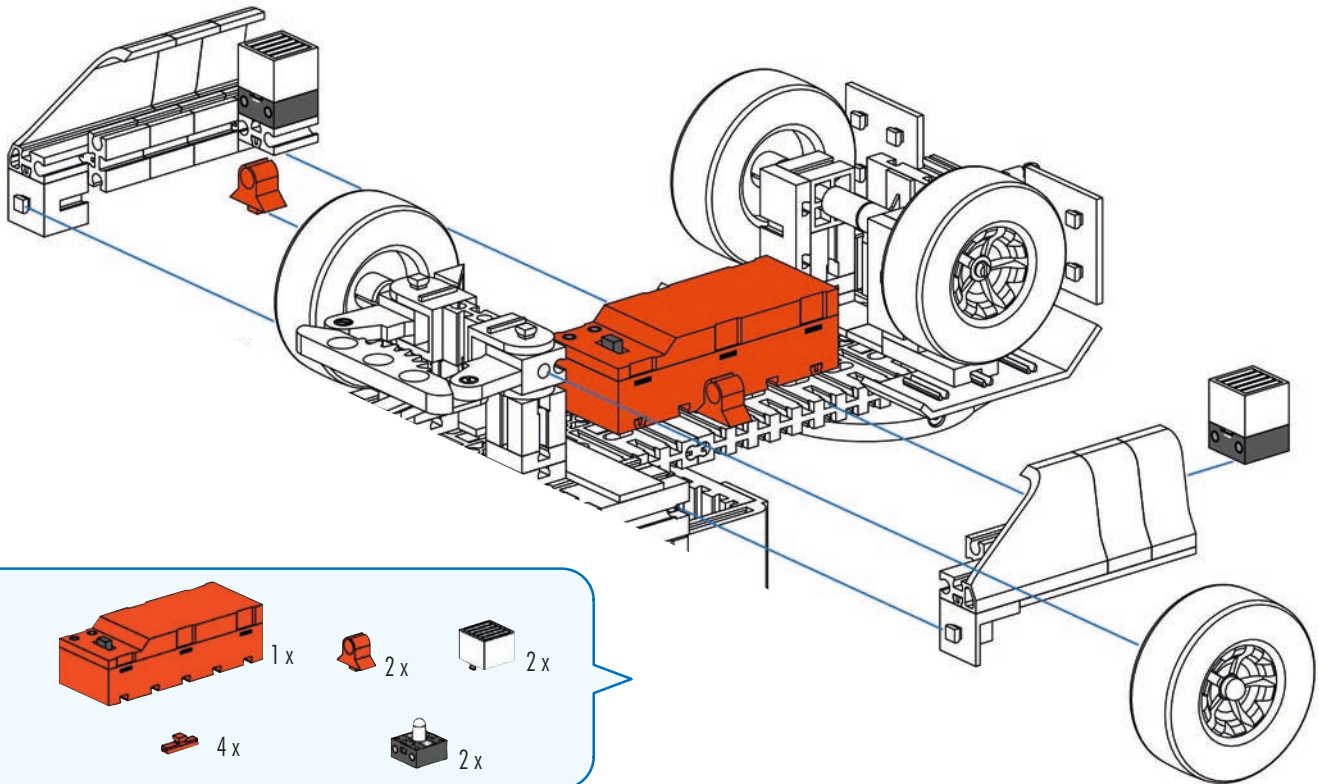
Verlichting
Iluminación
Iluminação

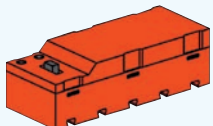




Iluminazione
Освещение
灯

LED Set
533 877



1  2x  2x  2x



2  1x  2x  2x
 4x  2x

Motorisierung und Fernsteuerung
Motorization and remote control
Motorisation et télécommande

Motorisering en afstandsbesturing
Motorización y mando a distancia
Motorização e telecomando

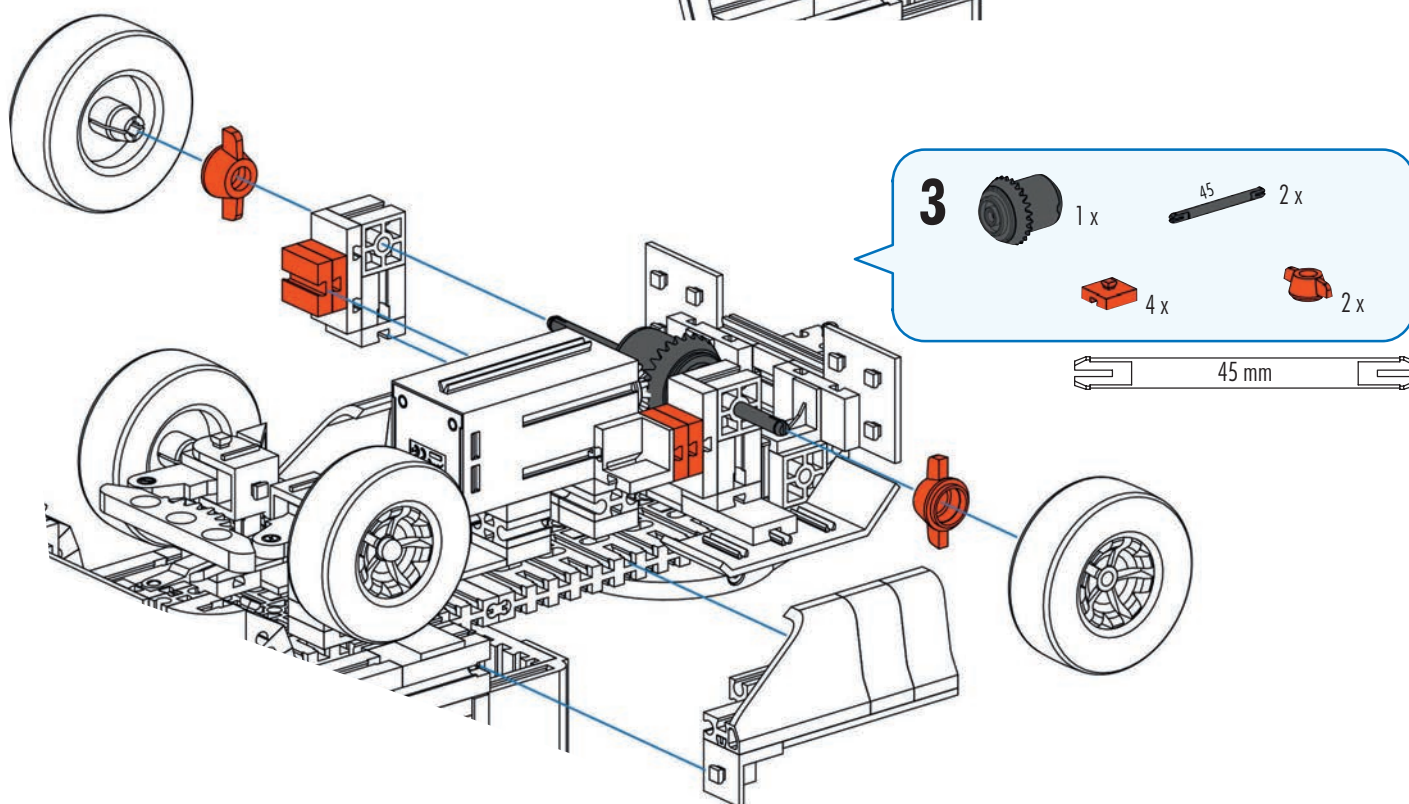
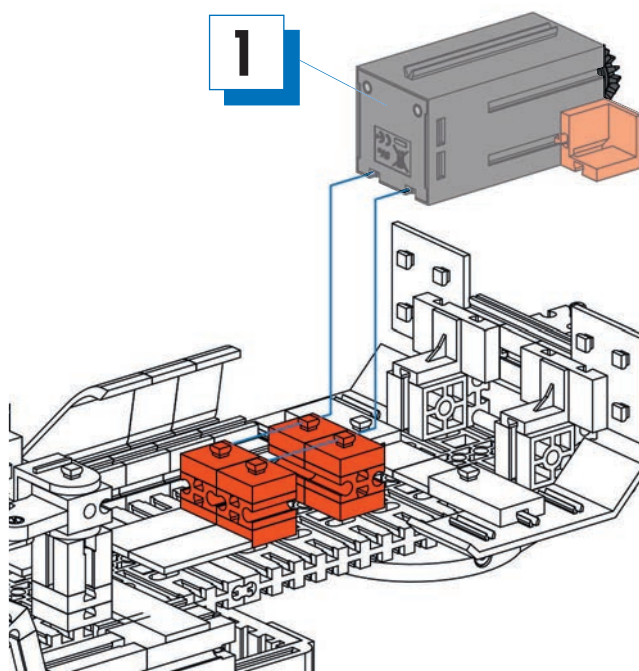
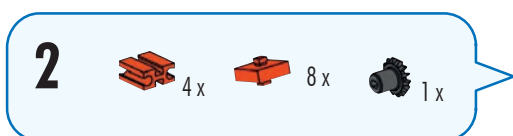
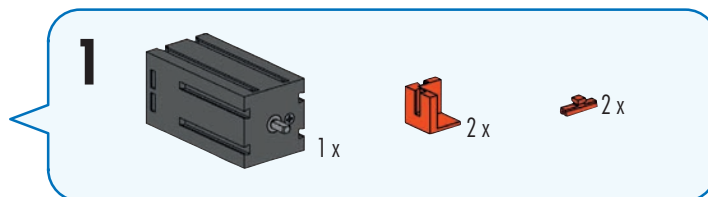
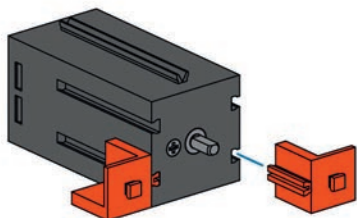
Motorizzazione e comando a distanza
 Приводной механизм и
 дистанционное управление
 机动化与遥控

Radantrieb
Wheel drive
Entraînement de roue

Wiel aandrijving
Accionamiento por ruedas
Tracção às rodas

Azionamento ruote
 Привод колес
 车轮驱动装置

Motor Set XM
505 282

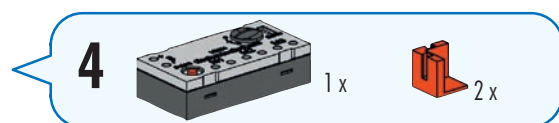
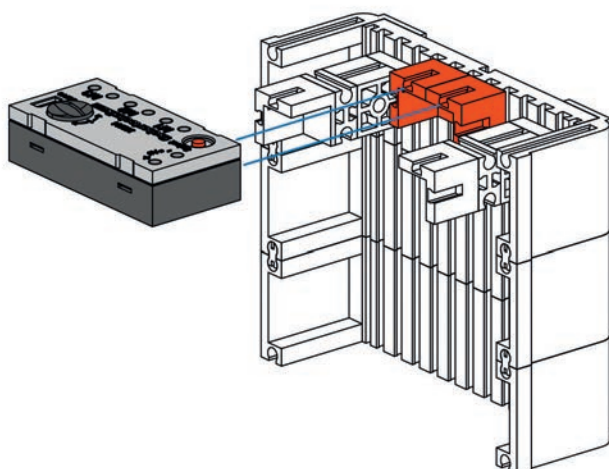
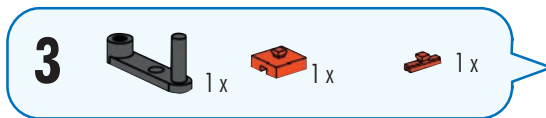
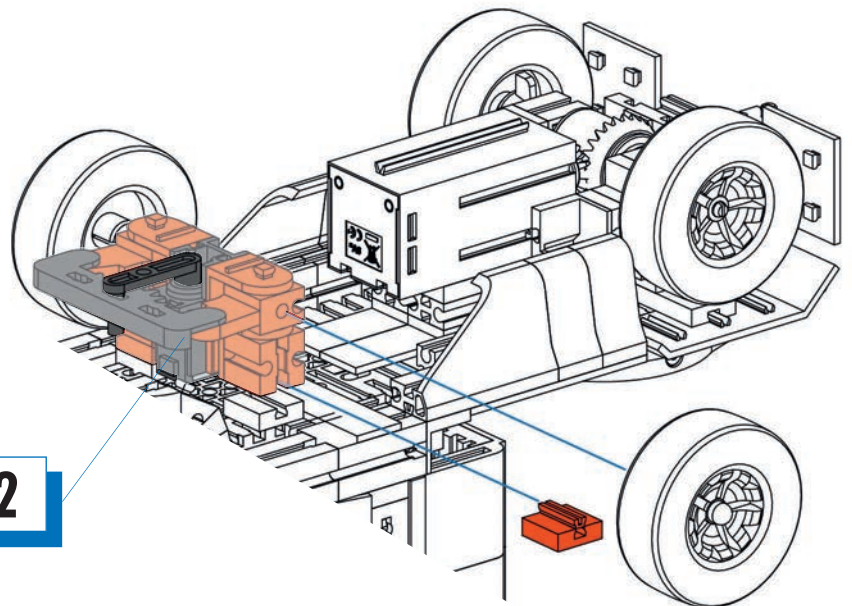
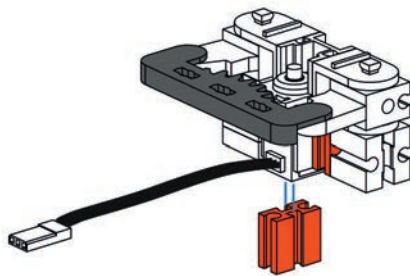
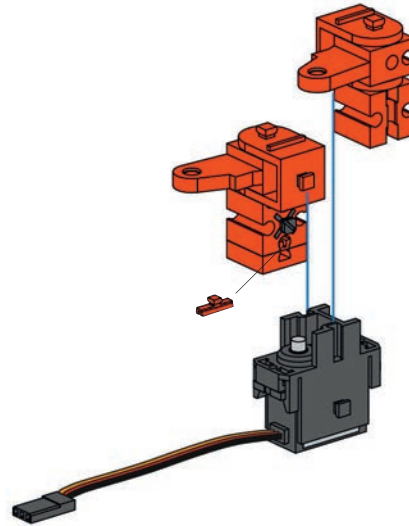
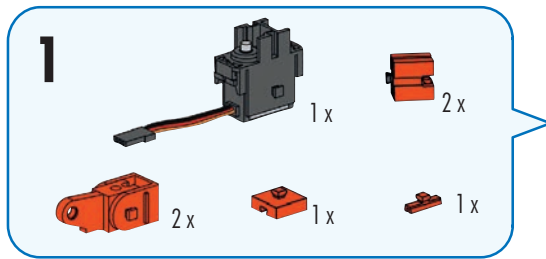


Lenkung
Control
Guidage

Stuurinrichting
Dirección
Direcção

Sterzo
Рулевое управление
转向装置

Bluetooth Control Set
540 585

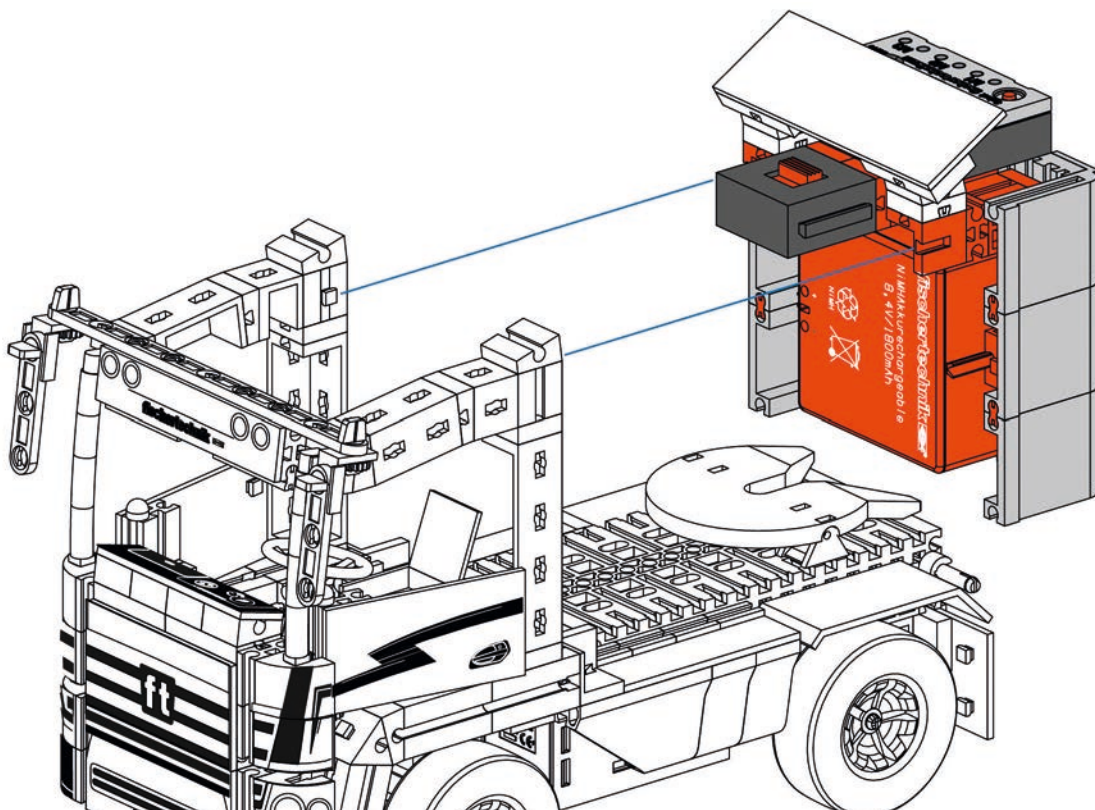
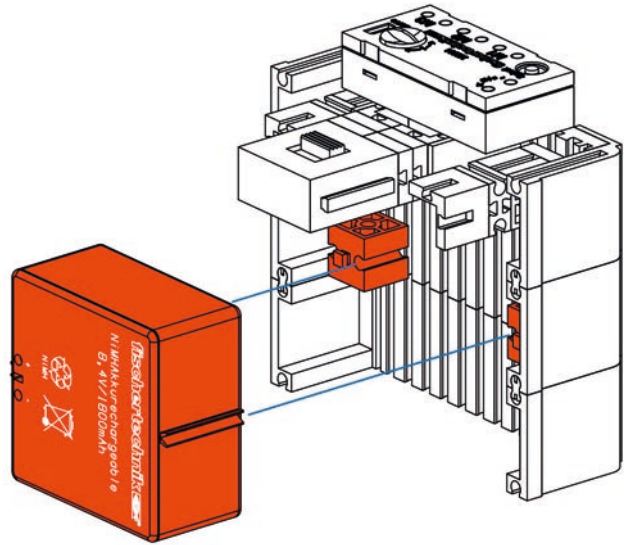
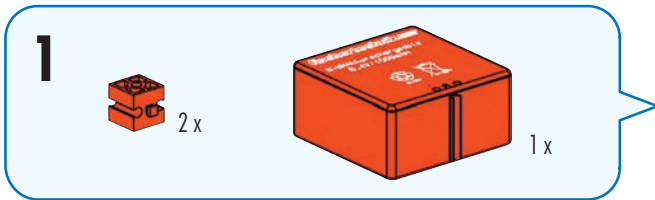
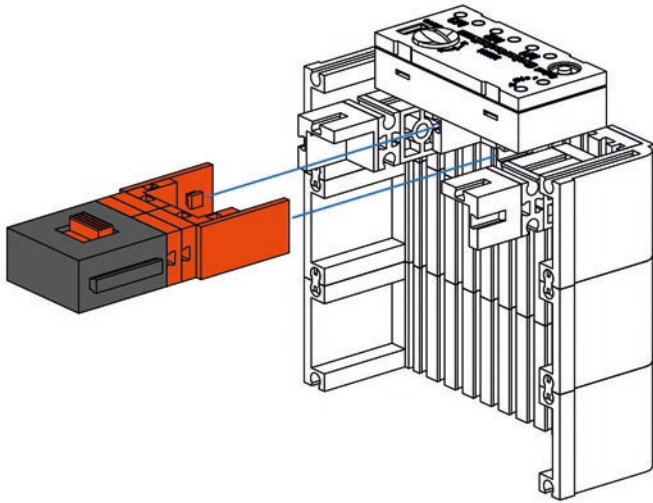


Stromversorgung
Power supply
Alimentation électrique

Stroomvoorziening
Alimentación de corriente
Alimentação elétrica

Alimentazione
Электропитание
电源供应装置

ACCU SET
34 969



fischertechnik



ADVANCED

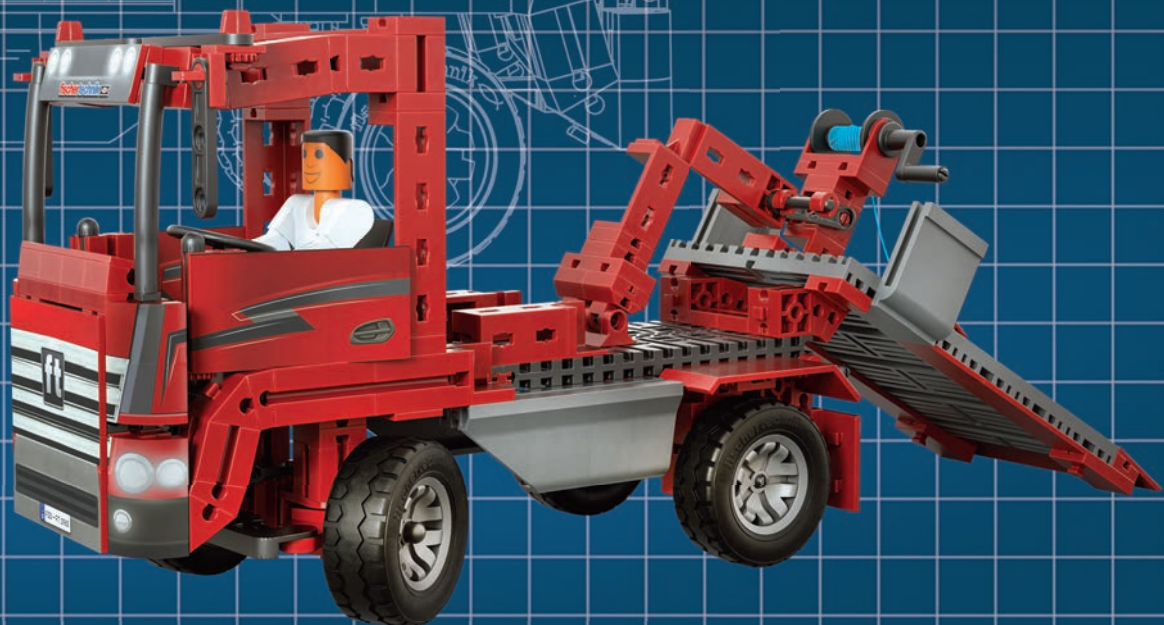
fischertechnik GmbH
Klaus-Fischer-Str. 1
72178 Waldachtal
Germany

Phone: +49 74 43/12-43 69

Fax: +49 74 43/12-45 91

info@fischertechnik.de

www.fischertechnik.de



Trucks

5 MODELS