



ADVANCED Tractors

fischertechnik GmbH

Klaus-Fischer-Str. 1
72178 Waldachtal
Germany

Phone: +49 74 43/12-43 69

Fax: +49 74 43/12-45 91

info@fischertechnik.de
www.fischertechnik.de

www.fischertechnik.de

167486 · 08/21 · Co · Printed in Germany · Technische Änderungen vorbehalten · Subject to technical modifications



Bauanleitung
Assembly instruction
Instructions de montage
Bouwhandleiding
Instrucciones de construcción



Manual de montagem
Istruzioni di montaggio
Инструкция по сборке
安装说明书

ADVANCED Tractors

MODELS

3

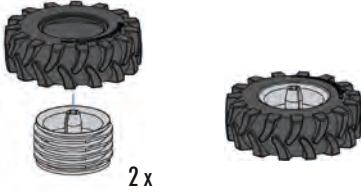
	31 060 2 x		31 982 7 x		35 068 2 x
	31 061 2 x		32 064 3 x		35 998 2 x
	31 436 1 x		32 071 8 x		36 323 10 x
	31 597 3 x		32 853 1 x		36 324 4 x
	31 670 4 x				36 334 1 x
	31 674 4 x		32 870 4 x		36 819 1 x
	31 766 1 x		32 879 3 x		36 912 3 x
	31 843 2 x		32 881 3 x		36 913 7 x
	31 888 2 x		32 882 1 x		36 914 1 x
	31 894 1 x		35 049 3 x		36 920 2 x
	31 915 1 x		35 050 2 x		36 922 2 x
	31 916 1 x		35 067 1 x		37 237 8 x

	37 468 6 x		106 767 2 x		127 471 2 x
	38 423 6 x		116 913 4 x		127 472 2 x
	38 428 3 x		121 661 2 x		163 201 2 x

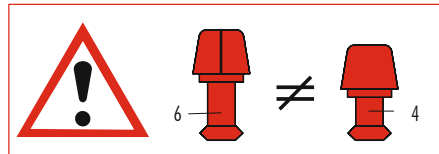
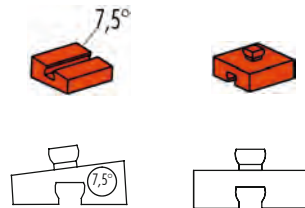
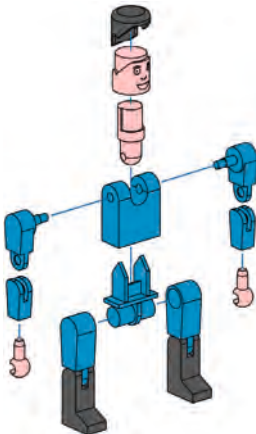
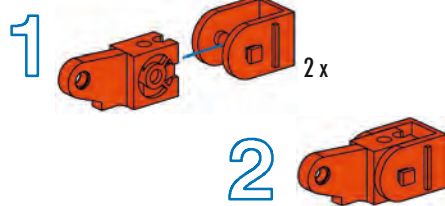
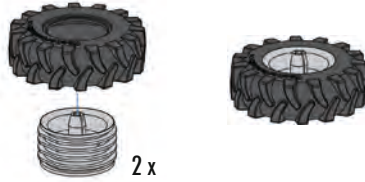
- Alle Einzelteile, insbesondere bewegliche Teile sind falls notwendig zu warten und zu reinigen.
- All components, especially moving parts, should be maintained and cleaned as necessary.
- Toutes les pièces détachées et en particulier les pièces mobiles, sont, si nécessaire, à entretenir et à nettoyer.
- Alle onderdelen, vooral de bewegende delen, kunnen, indien noodzakelijk, onderhouden en gereinigd worden.
- Es necesario limpiar y mantener en buen estado todas las diferentes piezas -especialmente las piezas móviles.
- Caso necessário, todas as peças individuais, especialmente peças móveis, tem que ser submetidas à manutenção e ser limpas.
- Se necessario, tutti i singoli componenti, soprattutto le parti mobili, si devono eventualmente sottoporre a manutenzione e pulizia.
- Případně udržujte a čistěte veškeré jednotlivé součásti, zvláště pohyblivé díly.
- Все детали, особенно подвижные, требуют ухода и чистки.

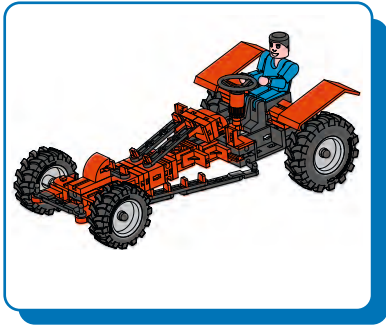
- Achtung! Verletzungsgefahr an Bauteilen mit funktionsbedingten scharfen Kanten und Spitzen!
- Caution! Be careful not to hurt yourself on components with sharp or pointed edges!
- Attention! Risque de blessure sur les éléments comportant des arêtes et o pointes vives indispensables au bon fonctionnement!
- Let op! U kunt zich bezeren aan bouwstenen met scherpe randen of punten!
- Atención! ¡Cuidado, no te hagas daño con los componentes con bordes afilados o puntiagudos!
- Atenção! Perigo de ferimentos em peças componentes com cantos vivos e pontas obrigatórios para o funcionamento!
- Attenzione! Pericolo di lesioni dovute a componenti con spigoli vivi e punte per motivi funzionali!
- Pozor! Nebezpečí zranění při kontaktu s ostrými hranami a hroty dílů stavebnice!
- Будьте осторожны! Об острые края деталей и и наконечники можно порезаться!

- Bei der Reifenmontage Profilrichtung links und rechts beachten!
- When mounting the tyres, please pay attention to the direction of the tread, left and right.
- Pour le montage des pneus, faire attention à la direction gauche et droite du profil.
- Let bij de bandenmontage op de profielrichting links en rechts.
- Al montar los neumáticos, tener en cuenta la dirección del perfil izquierdo y derecho.



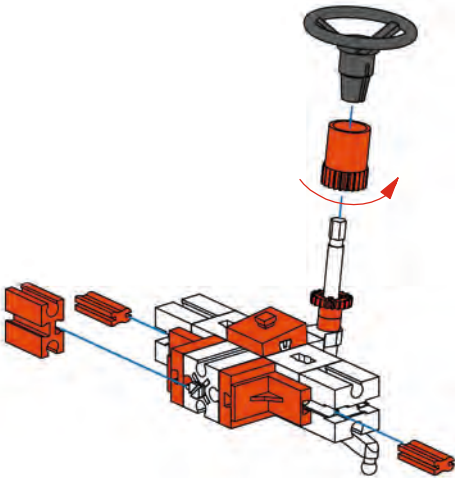
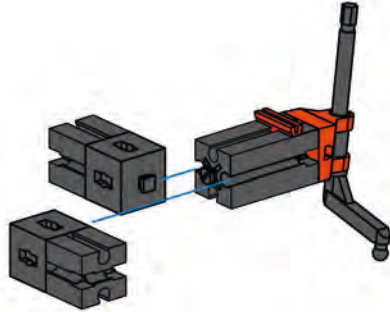
- Ao proceder a montagem de pneus, levar em conta a direcção de perfil à esquerda e à direita.
- Al momento del montaggio delle gomme si deve osservare la direzione del profilo (a sinistra e destra)!
- Při montáži pneumatik je potřeba dbát na správný směr profilu pneumatiky vlevo a vpravo!
- При монтаже шин обратите внимание на правое и левое направление протектора!





1

- 1x dark grey 1x3 Technic beam
- 2x dark grey 1x2 Technic connector
- 2x dark grey 1x2 Technic connector
- 1x orange 1x2 Technic axle
- 1x dark grey 90-degree Technic elbow
- 1x orange 7.5-degree Technic axle

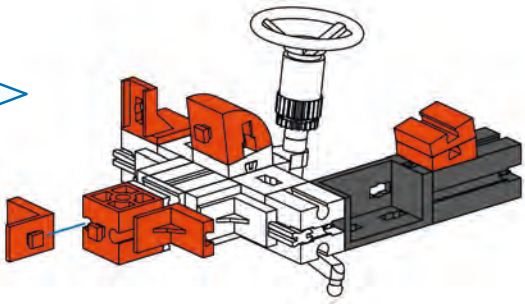


2

- 1x black steering wheel
- 1x orange 1x2 Technic axle
- 1x black 1x2 Technic axle
- 1x black 1x2 Technic axle
- 2x orange 7.5-degree Technic axle
- 2x orange 15-degree Technic axle
- 2x orange 1x2 Technic connector
- 2x orange 1x2 Technic connector
- 1x orange 1x2 Technic connector

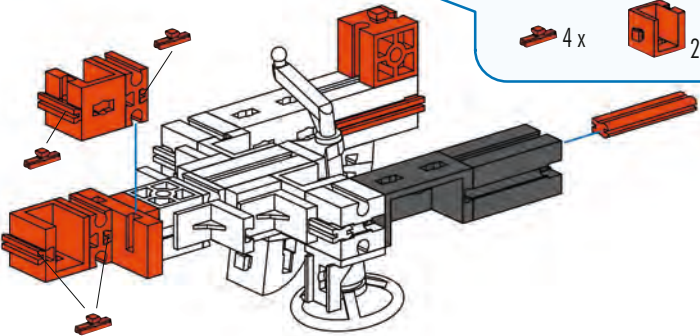
3

- 1x [Black Technic Beam 1x3]
- 1x [Black Technic Beam 1x3 with Hole]
- 2x [Orange Technic Pin 7.5°]
- 1x [Orange Technic Pin 7.5° with Groove]
- 1x [Orange Technic Pin 7.5° with Groove and Hole]
- 1x [Orange Technic Pin 7.5° with Groove and Hole]
- 2x [Orange Technic Pin 7.5° with Groove]

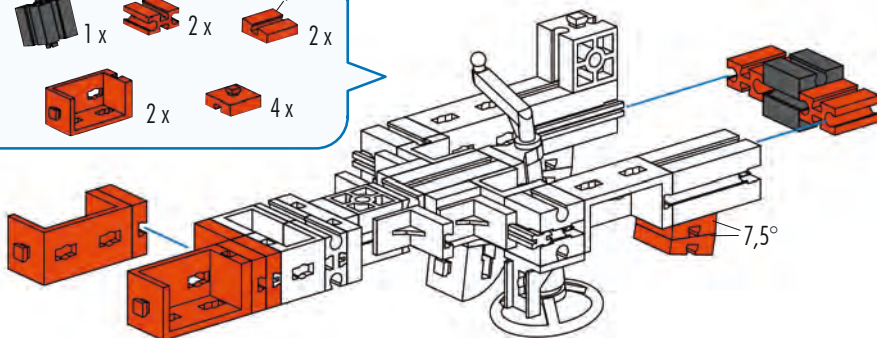
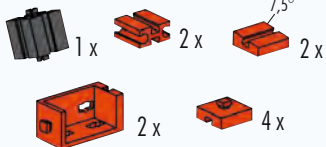


4

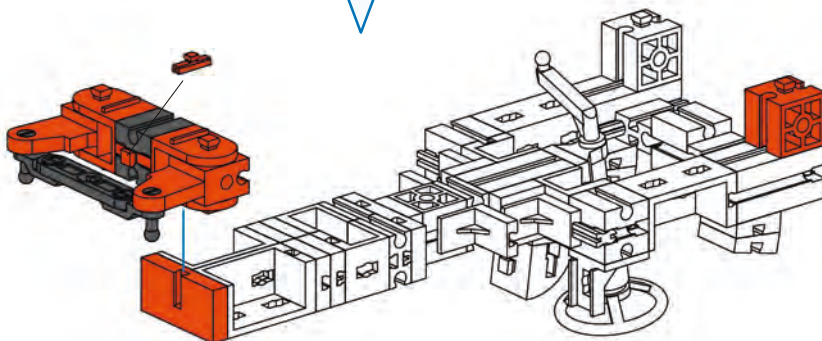
- 1x [Black Technic Beam 1x3]
- 1x [Black Technic Beam 1x3 with Hole]
- 1x [Orange Technic Pin 7.5° with Groove and Hole]
- 2x [Orange Technic Pin 30]
- 1x [Orange Technic Pin 7.5° with Groove]
- 2x [Orange Technic Pin 7.5° with Groove]
- 4x [Orange Technic Pin 7.5°]
- 2x [Orange Technic Pin 7.5° with Groove]
- 1x [Orange Technic Pin 7.5° with Groove]



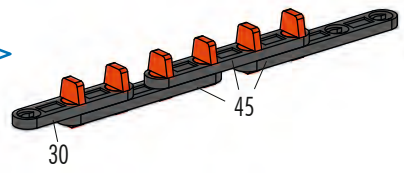
5



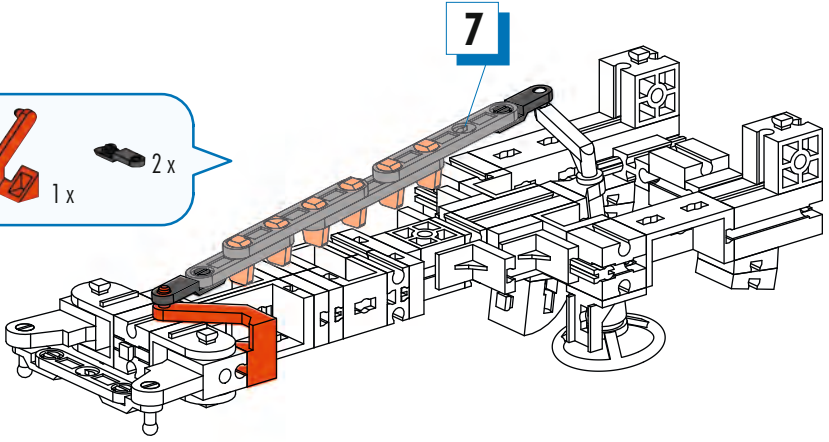
6



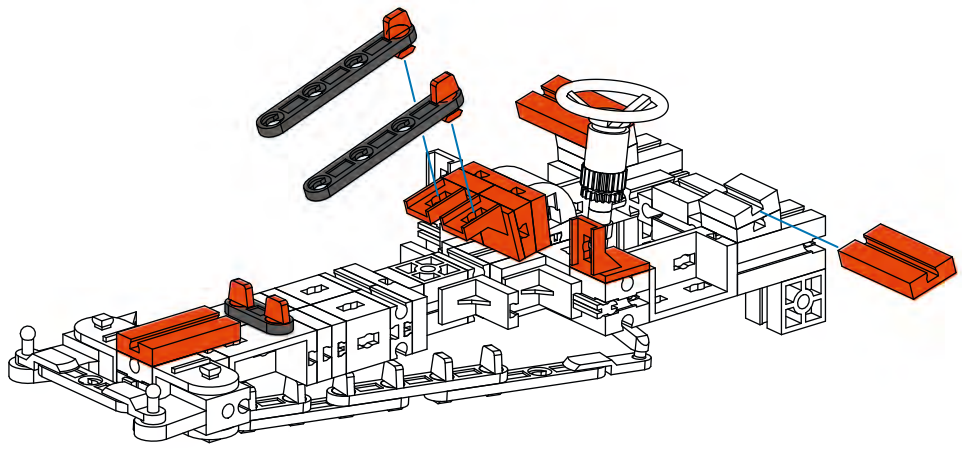
- 7** 30 1x 45 3x ^A 6x



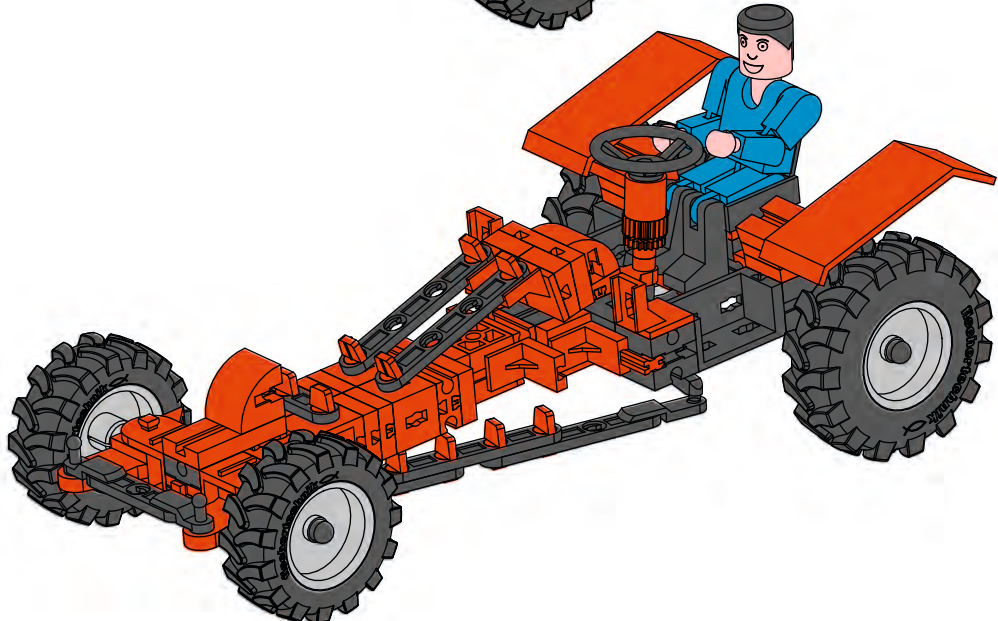
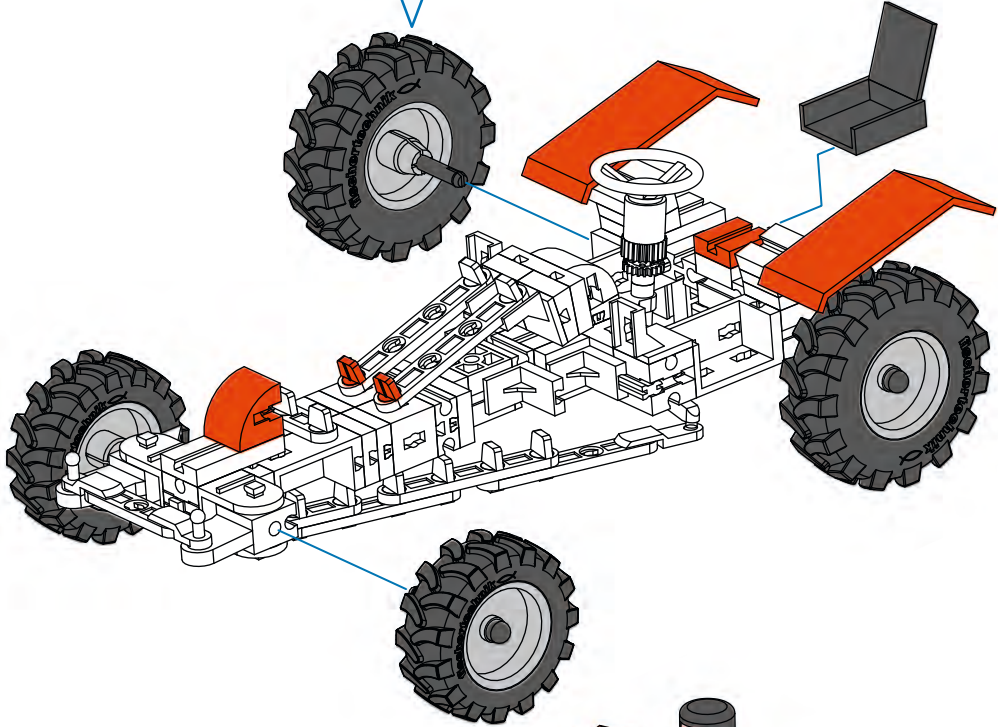
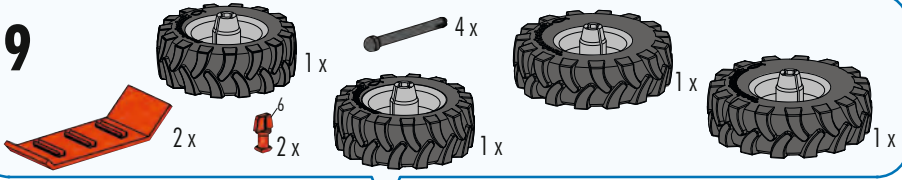
- 8** 1x 2x



- 9** 45 2x 15 1x ^A 4x 7,5° 2x 3x 3x 3x 1x



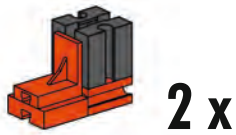
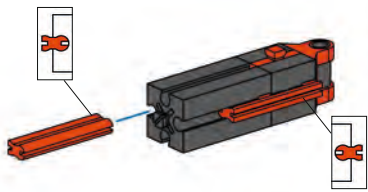
9





1

- 1x (dark grey 1x3 Technic brick)
- 1x (dark grey 1x2 Technic brick)
- 1x (orange 1x2 Technic brick)
- 1x (orange 1x3 Technic brick)
- 2x (orange Technic axle, length 30)
- 1x (orange 1x2 Technic axle pin)

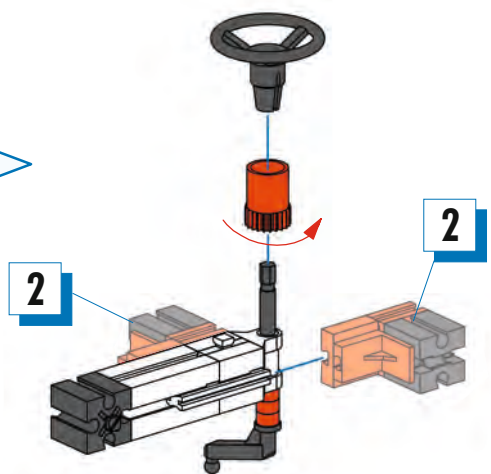


2

- 2x (dark grey 1x2 Technic brick)
- 2x (orange 1x2 Technic brick)
- 2x (orange 1x2 Technic axle pin)
- 2x (orange 1x2 Technic axle pin)

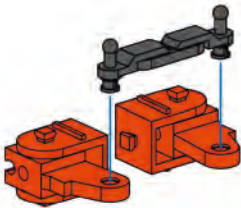
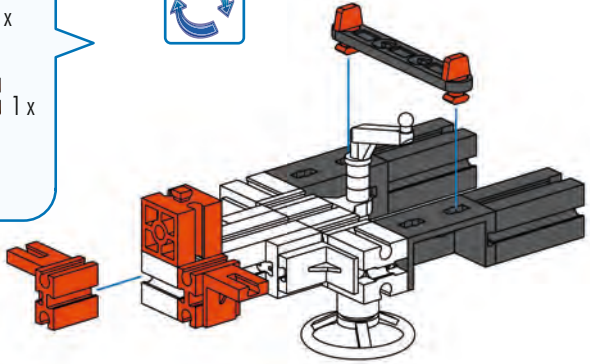
3

- 1x (dark grey 1x2 Technic brick)
- 1x (grey steering wheel)
- 1x (grey steering arm)
- 3x (orange Technic axle)
- 1x (orange Technic axle bush)



4

- 2x [Grey Technic Beam 1x3]
- 2x [Grey Technic Beam 1x5]
- 2x [Red Technic Beam 1x3]
- 2x [Red Technic Beam 1x5]
- 1x [Red Technic Beam 1x3 with Hole]
- 2x [Red Technic Pin with Friction Ridge]
- 1x [Red Technic Pin with Friction Ridge and Groove]
- 1x [Black Technic Pin with Friction Ridge and Groove]

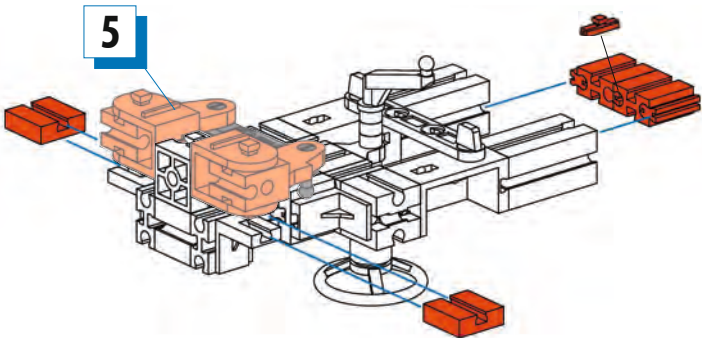


5

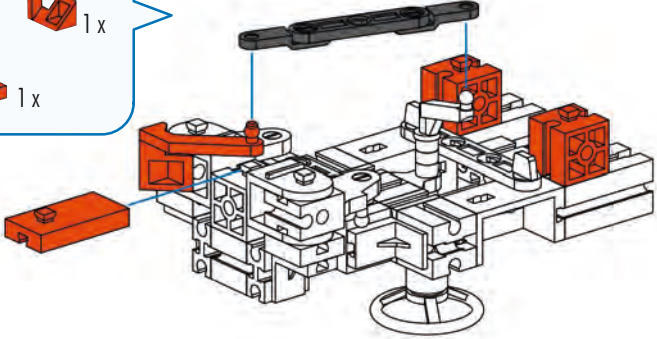
- 2x [Red Technic Beam 1x3 with Hole]
- 2x [Black Technic Pin with Friction Ridge and Groove]
- 1x [Black Technic Pin with Friction Ridge and Groove]

6

- 2x [Red Technic Beam 1x3]
- 1x [Red Technic Beam 1x3 with Hole]
- 2x [Black Technic Pin with Friction Ridge and Groove]
- 2x [Red Technic Beam 1x3 with Hole]

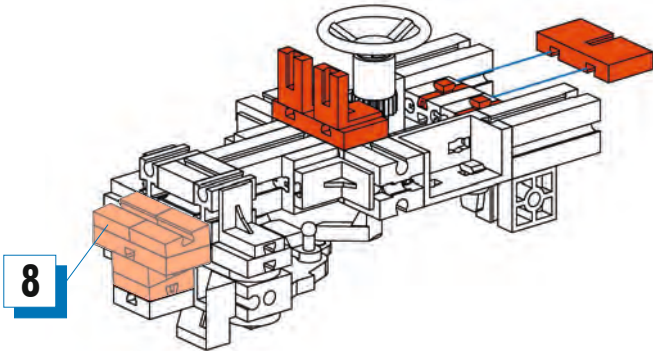


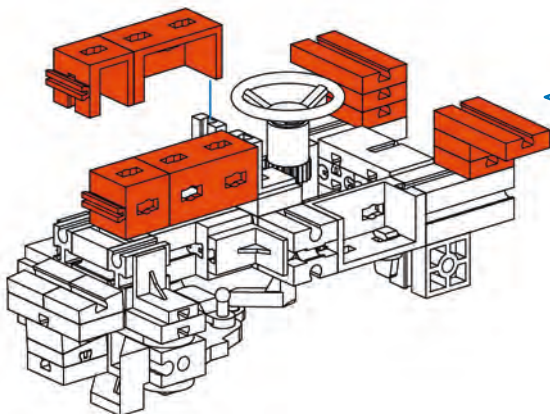
- 7**
- 2 x
 - 1 x
 - 1 x
 - 2 x
 - 1 x



- 8**
- 4 x
 - 1 x
 - 1 x

- 9**
- 2 x
 - 2 x
 - 2 x



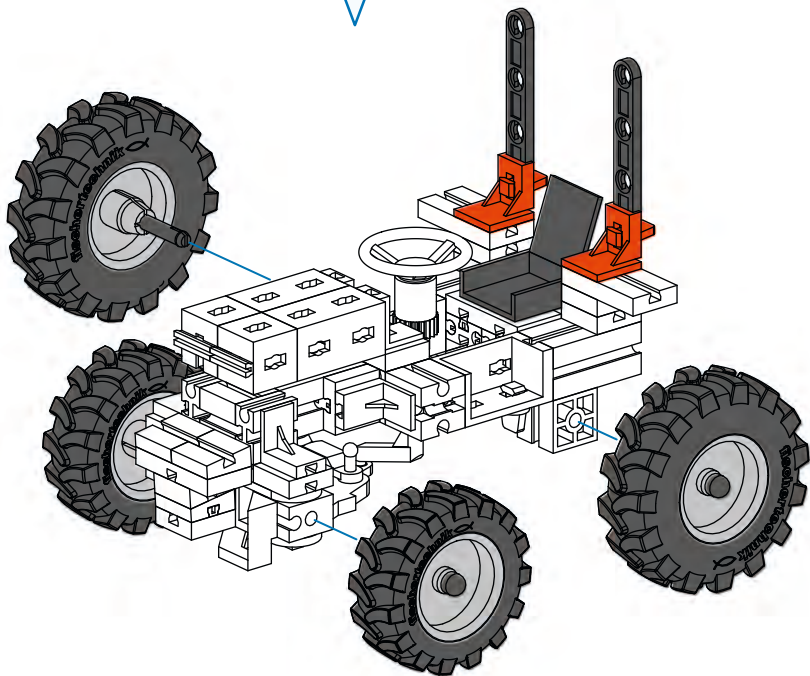


10







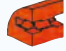

- 2x [Orange 1x3 Technic Beam]
- 2x [Orange 1x3 Technic Beam with Hole]
- 2x [Orange 1x2 Technic Beam]
- 2x [Orange 1x2 Technic Beam with Hole]
- 4x [Orange 1x1 Technic Connector]

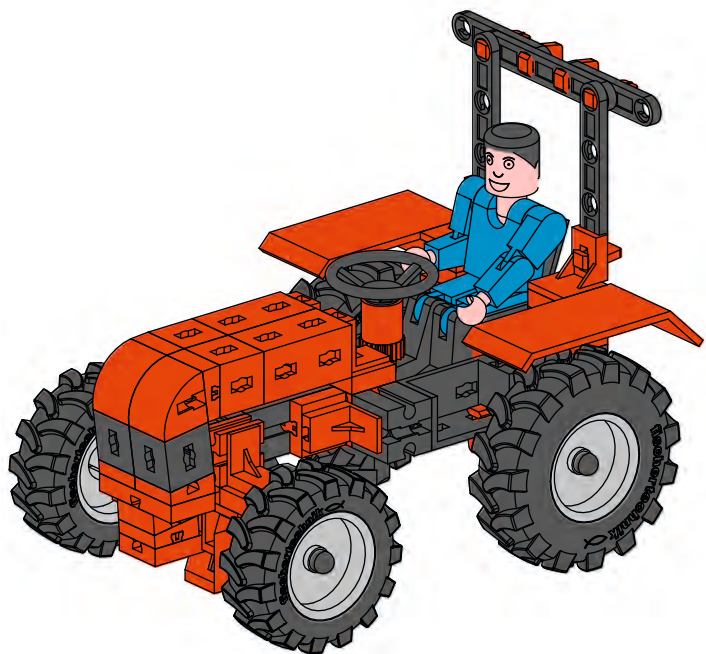
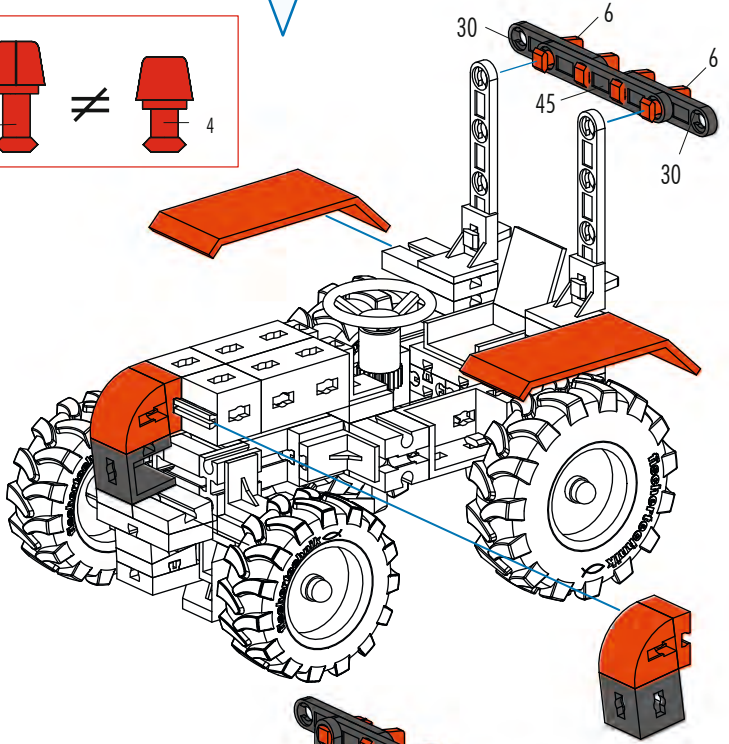
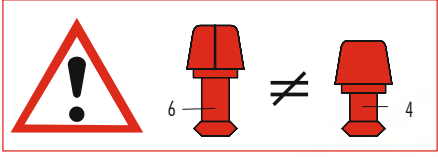
11

- 1x [Large Grey Tire]
- 1x [Large Grey Tire]
- 1x [Large Grey Tire]
- 1x [Large Grey Tire]
- 4x [Grey Axle]
- 2x [Orange 1x2 Technic Beam]
- 2x [Red Pin]
- 1x [Grey Seat]
- 2x [Grey Technic Beam 45]



12

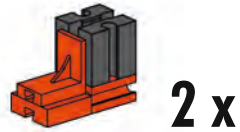
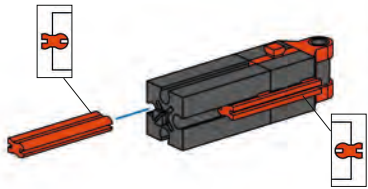
-  2 x
-  2 x
-  2 x
-  2 x
-  1 x
-  2 x
-  2 x
-  2 x





1

- 1x (dark grey 1x3 Technic brick)
- 1x (dark grey 1x3 Technic brick with hole)
- 1x (orange 1x3 Technic axle)
- 2x (orange 30 Technic axle)
- 1x (orange 1x1 Technic pin)

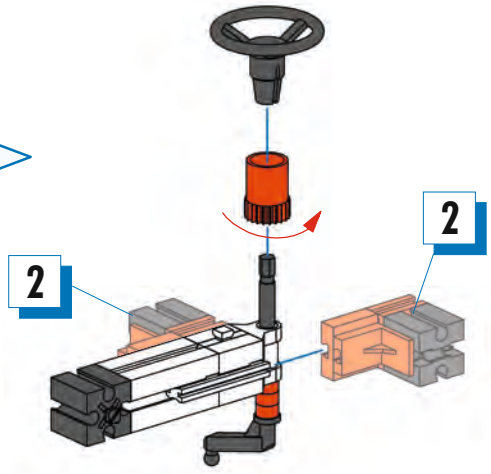


2

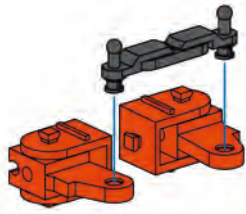
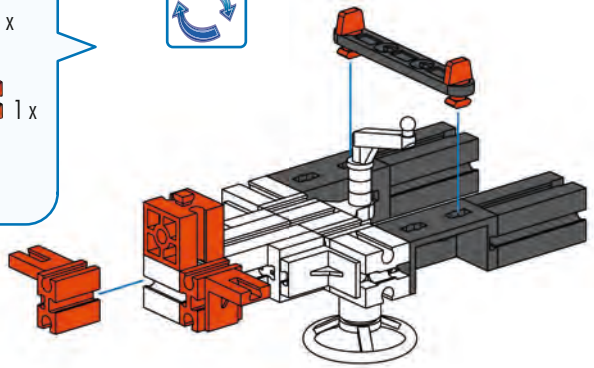
- 2x (dark grey 1x3 Technic brick)
- 2x (orange 1x3 Technic axle)
- 2x (orange 1x1 Technic pin)
- 2x (orange 1x3 Technic axle)

3

- 1x (dark grey 1x3 Technic brick)
- 1x (steering wheel)
- 1x (dark grey steering arm)
- 3x (orange Technic pins)
- 1x (orange Technic bush)

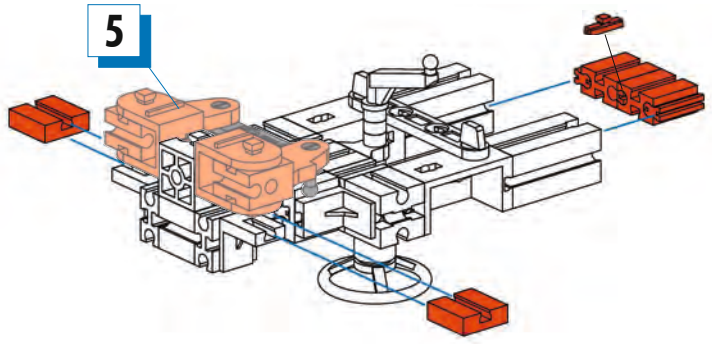


- 4**
- 2x [Grey Technic Beam 3x7]
 - 2x [Grey Technic Beam 1x5 with Hole]
 - 2x [Red Technic Beam 2x3]
 - 2x [Red Technic Beam 1x3]
 - 1x [Red Technic Beam 1x3 with Hole]
 - 2x [Red Technic Pin with Friction Ridge]
 - 1x [Grey Technic Pin with Friction Ridge 45]

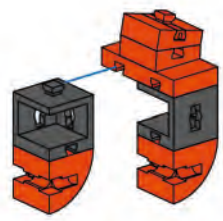
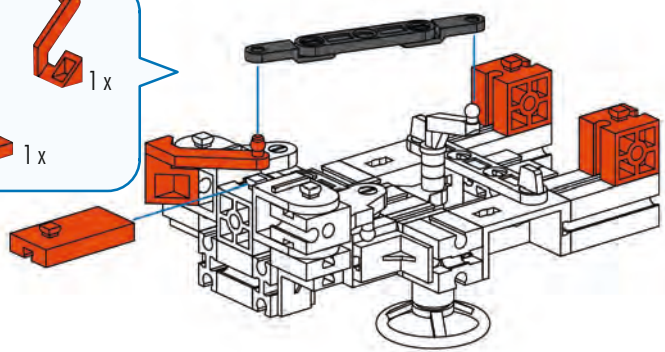


- 5**
- 2x [Red Technic Beam 1x3 with Hole]
 - 2x [Grey Technic Pin with Friction Ridge]
 - 1x [Grey Technic Pin with Friction Ridge 15]

- 6**
- 2x [Red Technic Beam 2x3]
 - 1x [Red Technic Beam 1x3]
 - 2x [Red Technic Beam 1x5]
 - 2x [Red Technic Beam 1x3 with Hole]

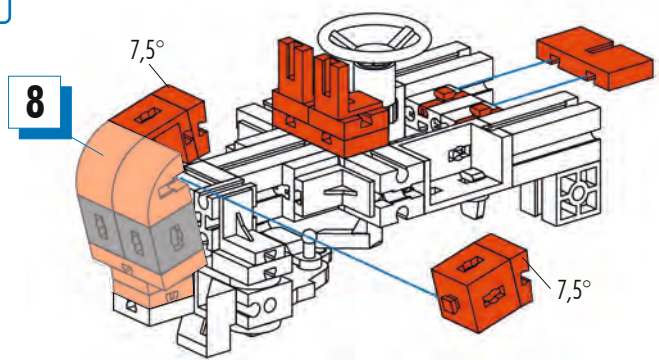


- 7**
- 2x [Red 1x2 Technic Brick with Hole]
 - 1x [Black Technic Pin 30]
 - 2x [Black Technic Pin]
 - 1x [Red 1x2 Technic Brick]
 - 1x [Red Technic Arm 1x2 with Hole]



- 8**
- 2x [Red 1x2 Technic Brick with 7.5° Slope]
 - 2x [Black Technic Pin]
 - 1x [Red Technic Pin]
 - 1x [Red 1x2 Technic Brick]
 - 2x [Red Technic Pin]

- 9**
- 2x [Red 1x2 Technic Brick]
 - 2x [Red Technic Pin]
 - 2x [Red Technic Arm 1x2 with Hole]
 - 2x [Red 1x2 Technic Brick]
 - 2x [Red 1x2 Technic Brick with 7.5° Slope]
 - 2x [Red Technic Pin]



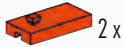
10



2 x



2 x



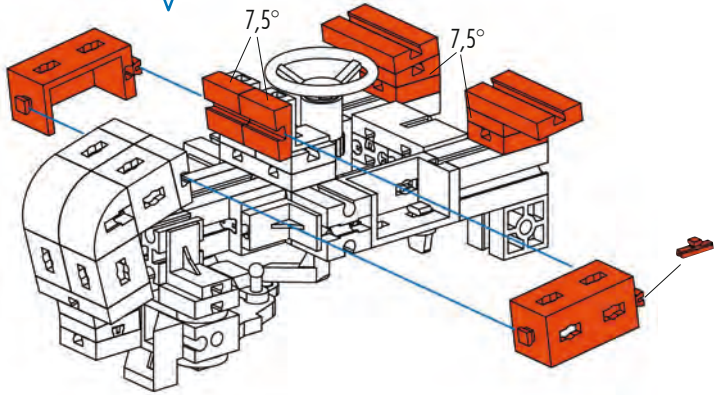
2 x



4 x



2 x



11



1 x



1 x



1 x



2 x



4 x



1 x



1 x



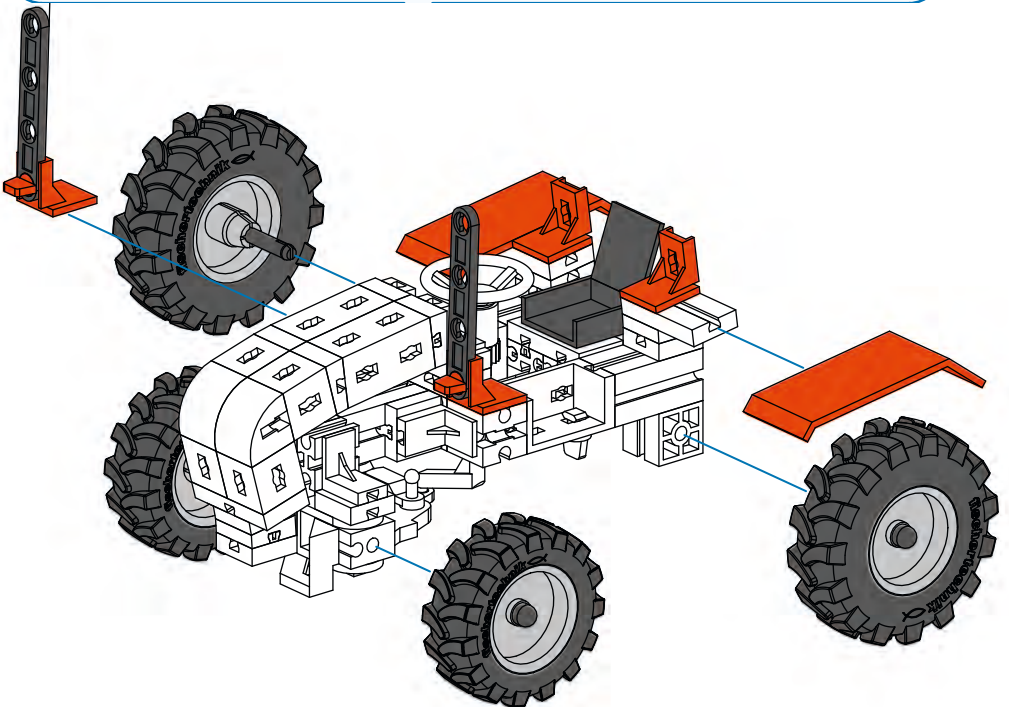
4 x



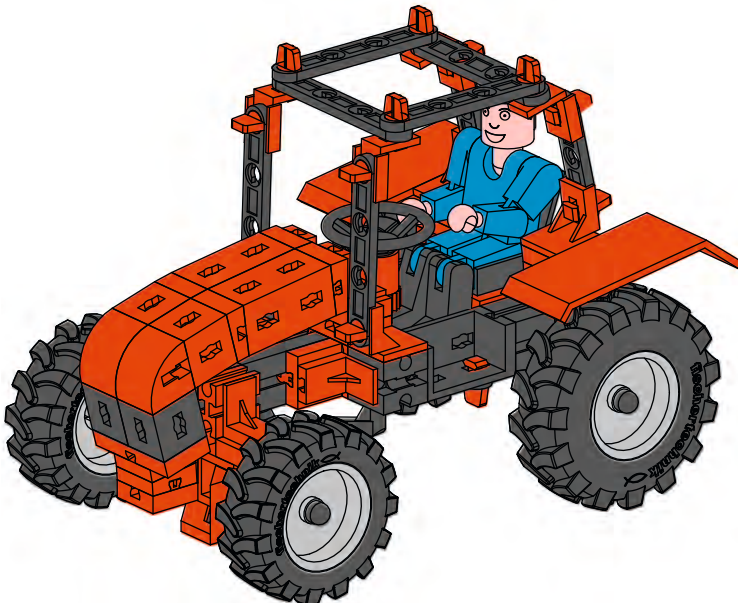
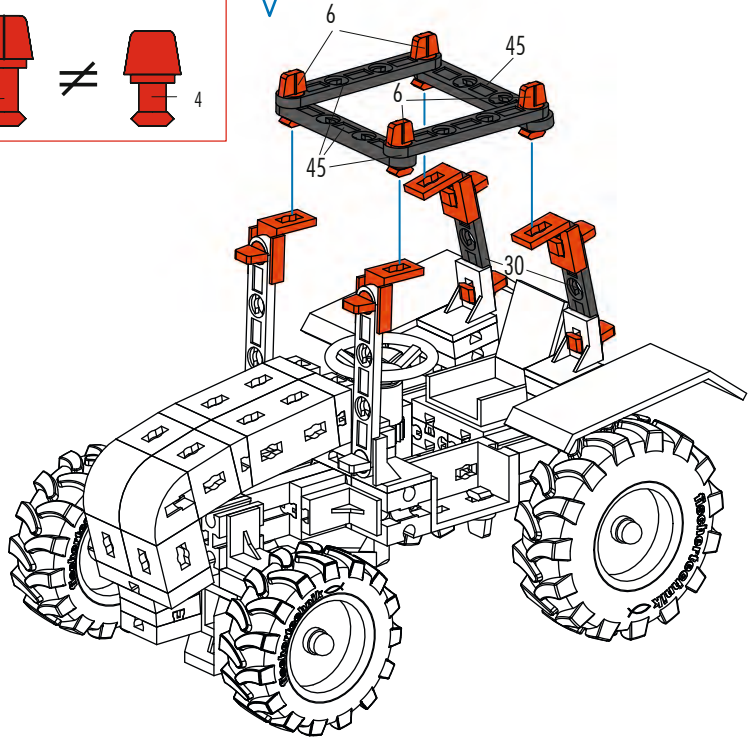
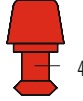
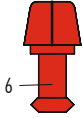
2 x



2 x



12



U4