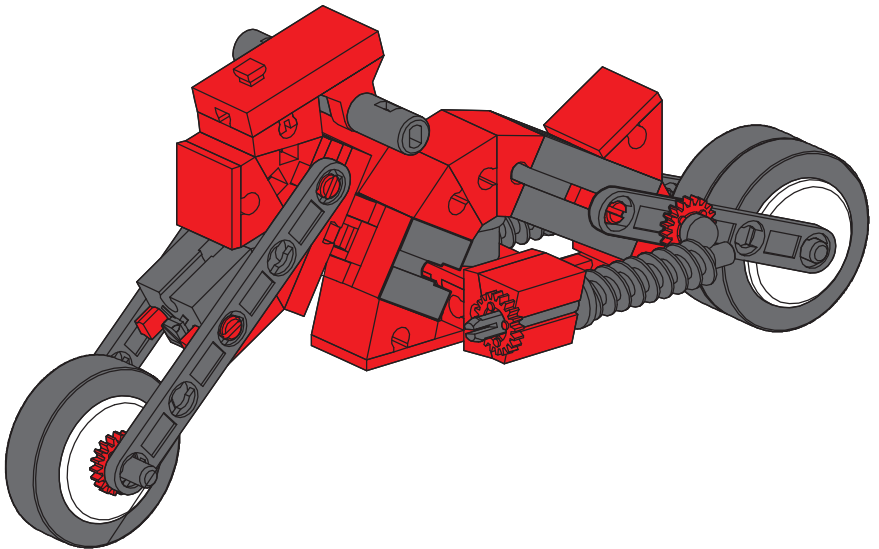
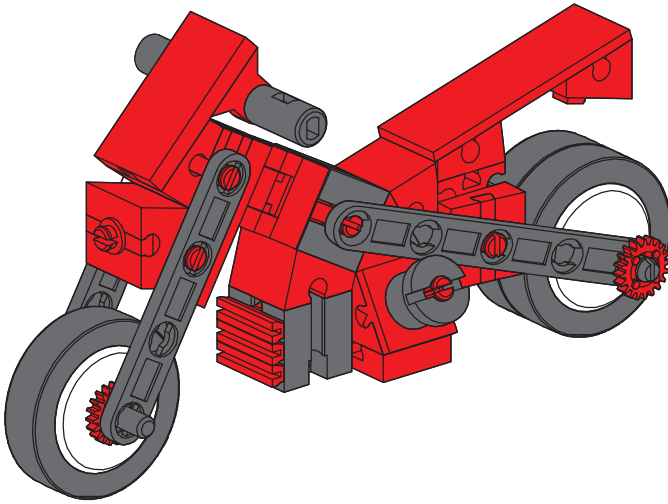
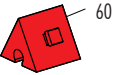


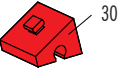
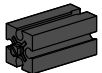
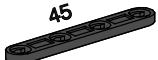


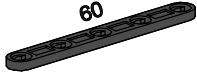


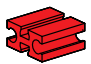





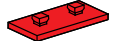

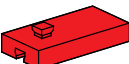







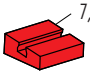
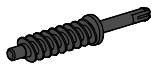
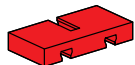
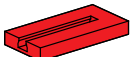

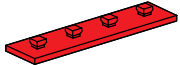


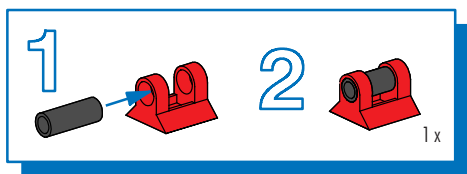
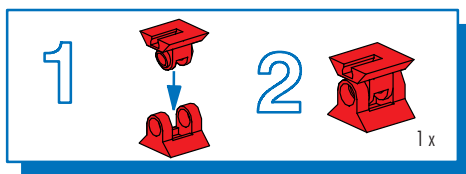
# BIKES

fischertechnik 

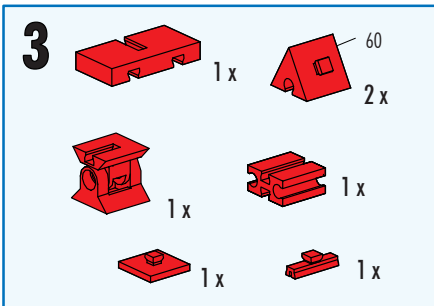
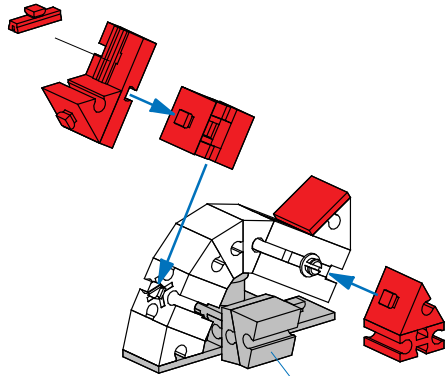
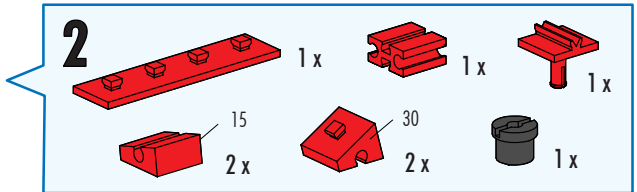
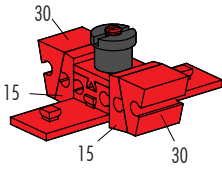
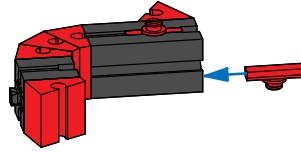
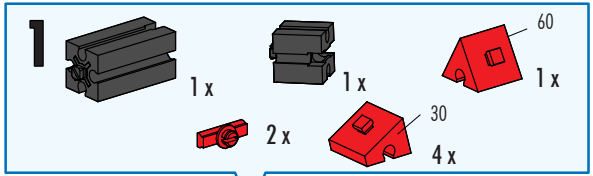
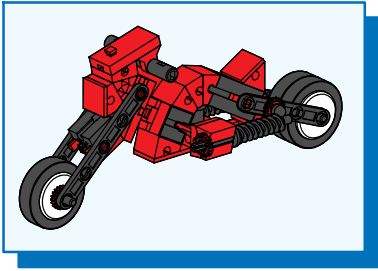
## BASIC



 60	31 010 3 x		32 870 1 x		36 819 1 x
 30	31 011 7 x		32 879 1 x	 45	36 913 2 x
	31 124 2 x		32 881 2 x	 60	36 952 2 x
	31 426 1 x		34 994 3 x		37 468 4 x
	31 436 2 x		34 995 3 x		38 240 4 x
	31 848 9 x		35 019 2 x		38 241 2 x
	31 918 1 x		35 049 3 x		38 242 2 x
 15	31 981 3 x	 30	35 063 1 x		38 246 2 x
	31 982 7 x		35 073 2 x	 30	38 413 2 x
 7,5	32 071 2 x		35 977 2 x		38 428 1 x
	32 330 1 x		36 334 5 x		38 464 1 x

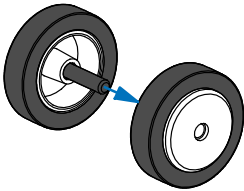
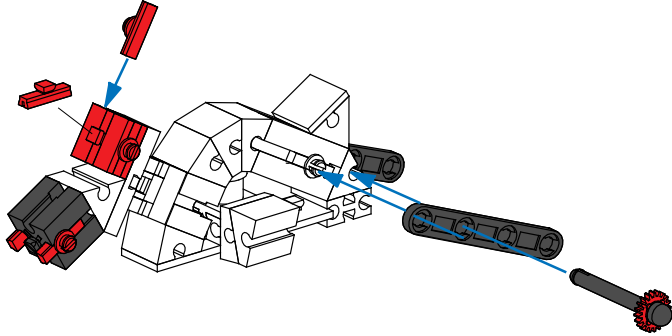
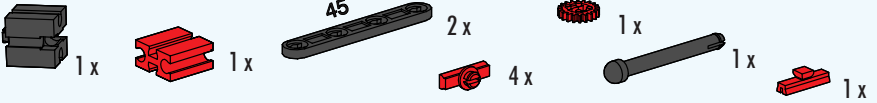


- Alle Einzelteile, insbesondere bewegliche Teile sind falls notwendig zu warten und zu reinigen.  
All components, especially moving parts, should be maintained and cleaned as necessary.  
Toutes les pièces détachées et en particulier les pièces mobiles, sont, si nécessaire, à entretenir et à nettoyer.  
Alle onderdelen, vooral de bewegende delen, kunnen, indien noodzakelijk, onderhouden en gereinigd worden.  
Es necesario limpiar y mantener en buen estado todas las diferentes piezas - especialmente las piezas móviles.  
Caso necessário, todas as peças individuais, especialmente peças móveis, tem que ser submetidas à manutenção e ser limpidas.  
Se necessario, tutti i singoli componenti, soprattutto le parti mobili, si devono eventualmente sottoporre a manutenzione e pulizia.  
Все детали конструктора, в особенности его подвижные части, необходимо содержать в исправности и очищать их по мере необходимости.  
必要时应保养和清洁所有零件，尤指运动部件。

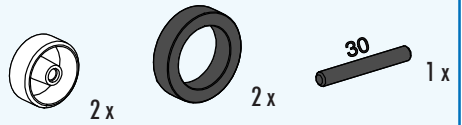


**2**

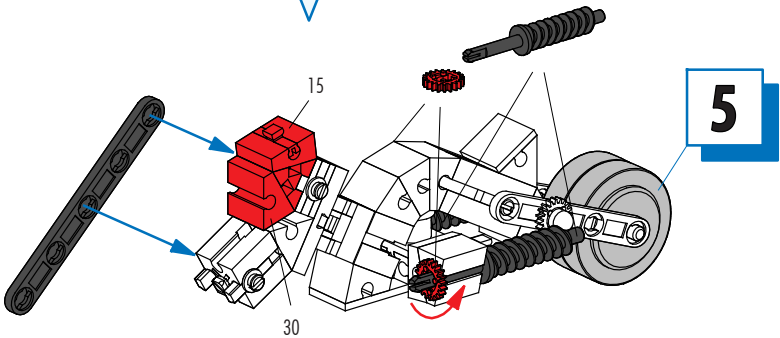
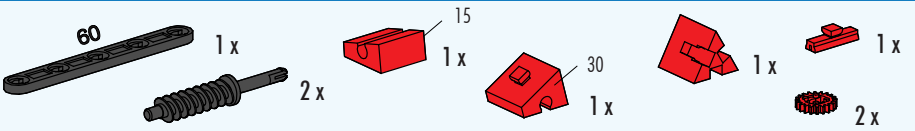
4

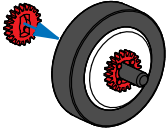


5



6





**7**



1 x



1 x

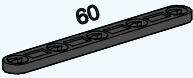


1 x



2 x

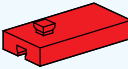
**8**



1 x



1 x



1 x



1 x

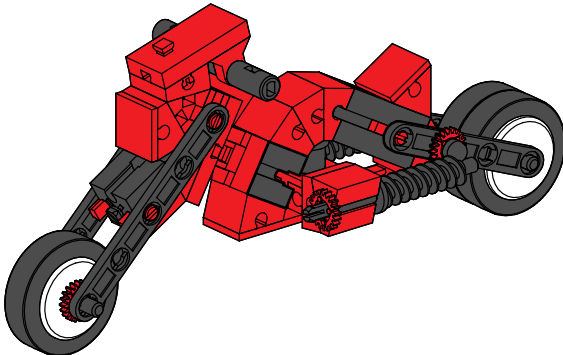
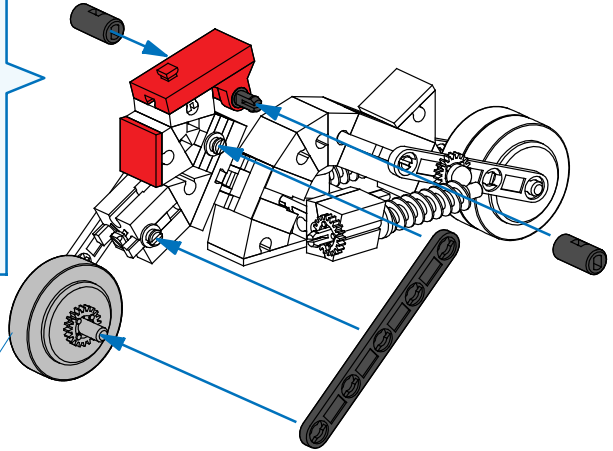


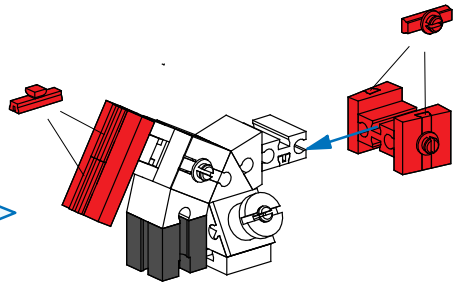
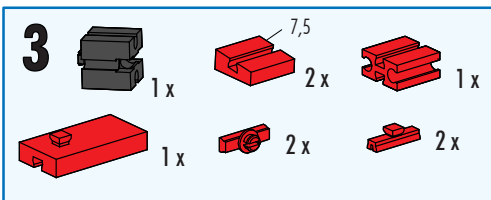
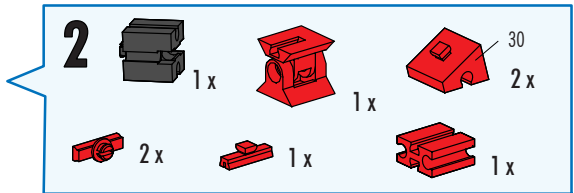
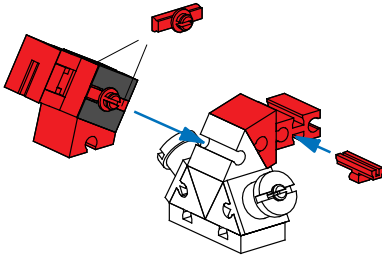
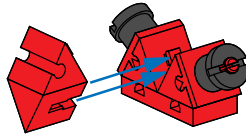
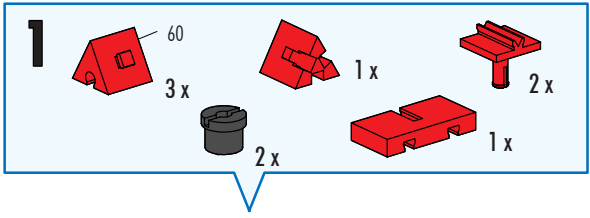
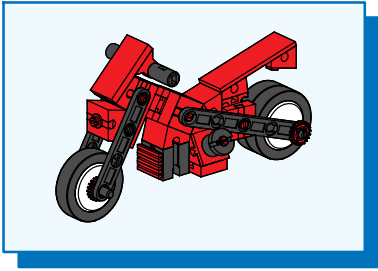
2 x

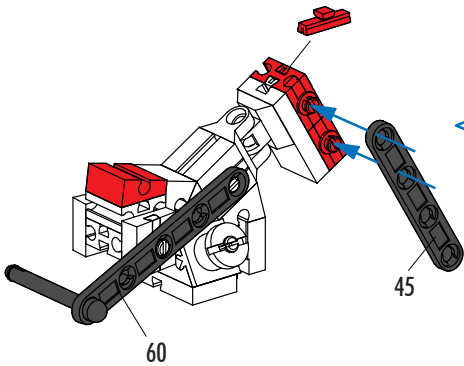


1 x

**7**





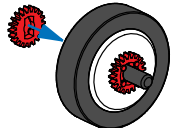


**4**

- Red 1x2 Technic Brick with Hole: 2 x
- Red 1x3 Technic Brick with Hole: 1 x
- Black Technic Axle (60): 1 x
- Black Technic Axle (45): 1 x
- Black Technic Pin: 1 x
- Red Technic Pin: 1 x
- Red Technic Pin with Friction Ridge: 2 x

**5**

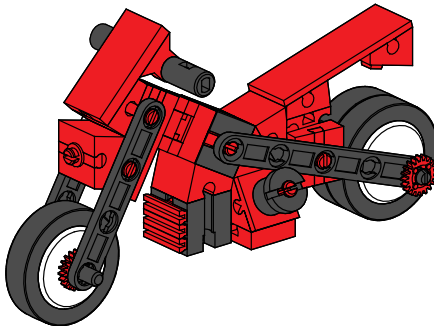
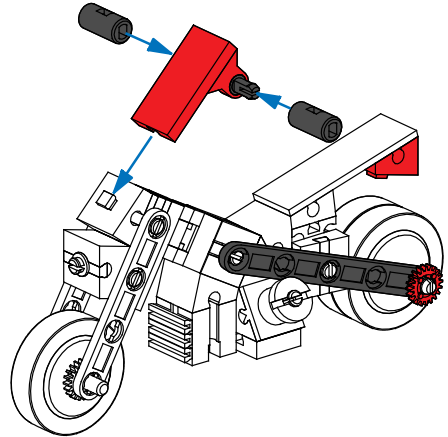
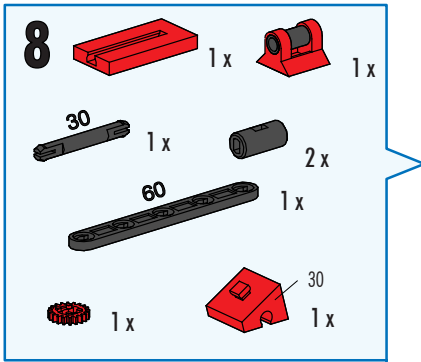
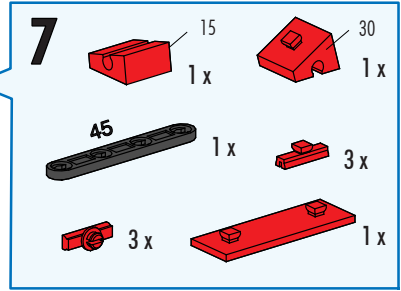
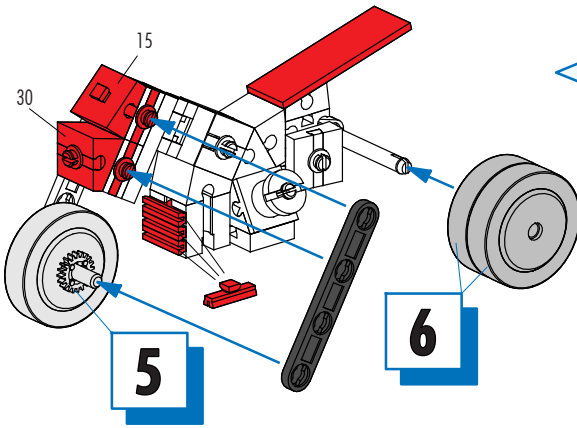
- Black Technic Wheel: 1 x
- Black Technic Ring: 1 x
- Black Technic Axle (30): 1 x
- Red Technic Gear (6): 2 x



**2 x**

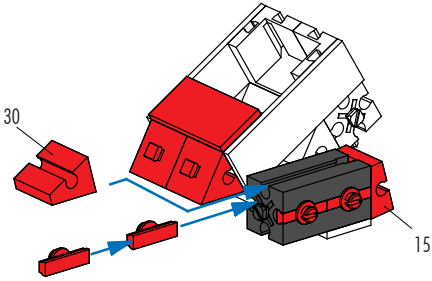
**6**

- Black Technic Wheel: 2 x
- Black Technic Ring: 2 x







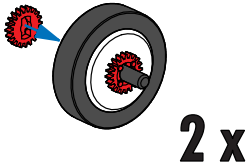
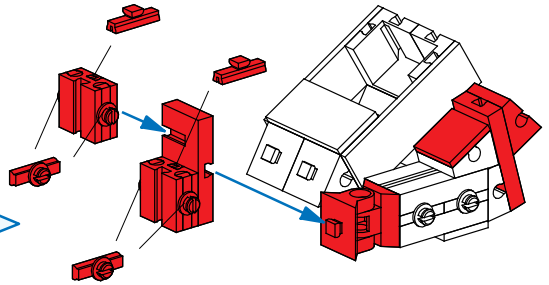


**5**

- 1 x [Grey Technic Beam 3x3]
- 2 x [Red Technic Wedge 1x3]
- 1 x [Red Technic Beam 1x3]
- 1 x [Red Technic Beam 1x5]
- 1 x [Red Technic Beam 1x7]
- 1 x [Red Technic Wedge 1x3]
- 1 x [Red Technic Wedge 1x3]
- 4 x [Red Technic Pin with Friction Ridge]

**6**

- 1 x [Red Technic Beam 1x5]
- 1 x [Red Technic Wedge 1x3]
- 1 x [Red Technic Wedge 1x3]
- 2 x [Red Technic Beam 1x3]
- 1 x [Red Technic Beam 1x7]
- 1 x [Red Technic Wedge 1x3]
- 2 x [Red Technic Beam 1x3]
- 4 x [Red Technic Pin with Friction Ridge]

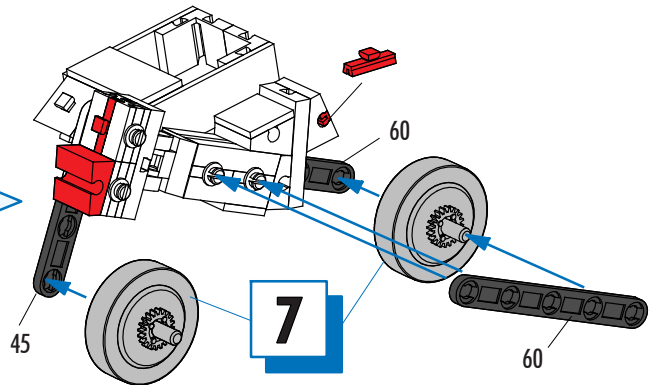


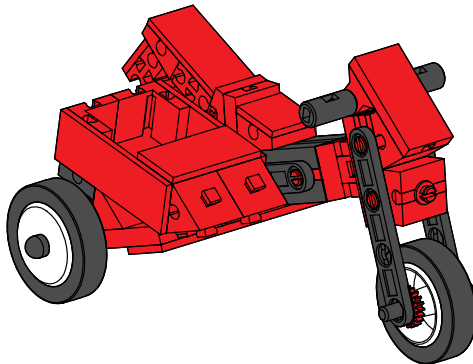
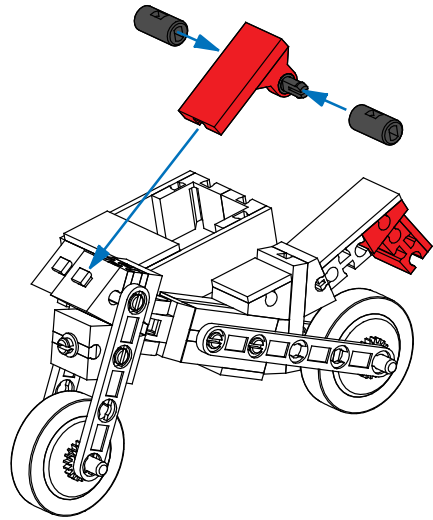
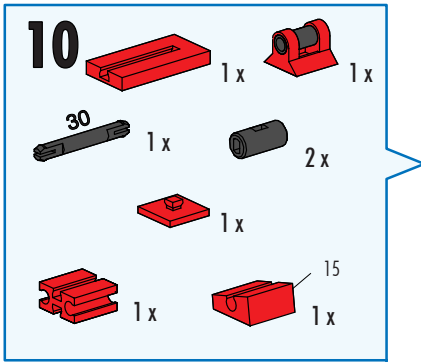
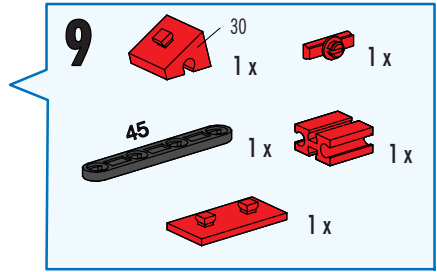
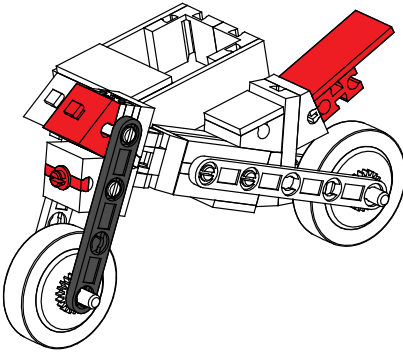
**7**

- 2 x [Grey Technic Wheel 1.5x1.5]
- 2 x [Grey Technic Ring 1.5x1.5]
- 2 x [Grey Technic Pin 30]
- 4 x [Red Technic Pin with Friction Ridge]

**8**

- 2 x [Grey Technic Beam 60]
- 1 x [Grey Technic Beam 45]
- 1 x [Red Technic Beam 1x5]
- 2 x [Red Technic Beam 1x3]





fischertechnik GmbH  
Klaus-Fischer-Straße 1  
72178 Waldachtal  
Germany

Phone +49 74 43/12-43 99  
Fax +49 74 43/12-45 91  
info@fischertechnik.de  
www.fischertechnik.de

**fischertechnik** 

**BASIC**

