

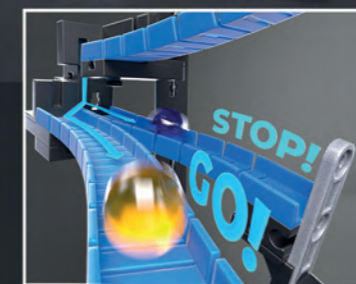
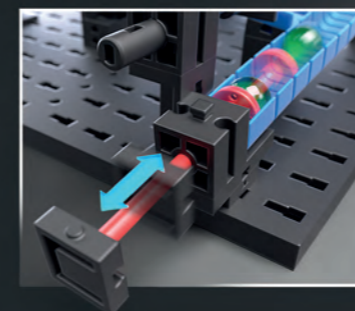
208249 - 02/24 - Co - Printed in Germany - Technische Änderungen vorbehalten - Subject to technical modifications



Marble Competition Booster

fischertechnik GmbH
Klaus-Fischer-Str. 1
72178 Waldachtal
Germany
Phone: +49 74 43/12-43 69
Fax: +49 74 43/12-45 91
info@fischertechnik.de
www.fischertechnik.de

www.fischertechnik.de



Bauanleitung
Assembly instruction
Instructions de montage
Bouwhandleiding
Instrucciones de construcción

Manual de montagem
Istruzioni di montaggio
Инструкция по сборке
安装说明书

Marble Competition Booster

MODELS

2

Inhalt
Contents
Contenu

Inhoud
Contenido
Conteúdo

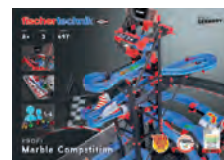
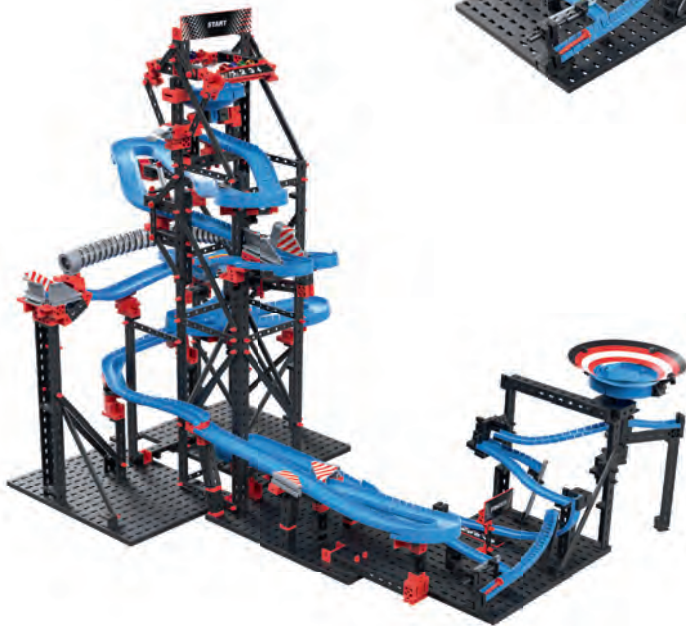
Contenuto
Содержание
目录

Einzelteilübersicht / Spare parts list / Liste des pièces détachées / Onderdelenoverzicht / Lista da piezas / Resumo de peça individual /
Singoli componenti / Перечень деталей / 零件概览 1

Montagetips / Tips for assembly / Tuyaux pour le montage / Montagetips / Consejos para el montaje / "Dicas" para montagem /
Consigli per il montaggio / Советы по сборке / 装配建议 1



Booster 1 3



Marble Competition
564 070

+

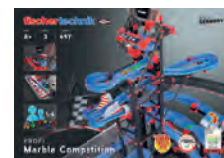


Marble Competition
Booster
571897

Race Track 1 + Booster 1 14



Booster 2 18



Marble Competition
564 070

+



Marble Competition
Booster
571897

Race Track 1 + Booster 2 27

Einzelteilübersicht
Spare parts list
Liste des pièces détachées

	32 850 1 x
	32 882 1 x
	32 985 1 x
	35 064 1 x
	35 073 1 x
	36 227 1 x
	36 293 4 x
	36 914 3 x
	36 920 5 x
	36 921 5 x
	36 922 8 x
	36 950 4 x

Onderdelenoverzicht
Lista da piezas
Resumo de peça individual

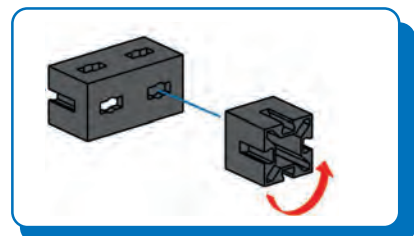
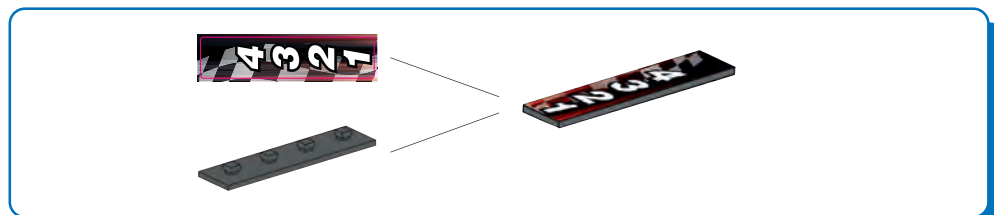
	105 196 1 x
	119 753 1 x
	121 641 4 x
	132 875 1 x
	133 008 2 x
	153 669 1 x
	161 691 3 x
	165 793 1 x
	173 041 1 x
	173 045 1 x
	191 390 1 x
	193 067 1 x

	193 068 1 x
	193 069 1 x
	193 070 1 x
	208 227 8 x
	208 228 2 x
	208 229 4 x
	208 231 1 x
	208 232 6 x
	208 233 3 x
	208 234 4 x
	208 235 11 x
	208 236 12 x

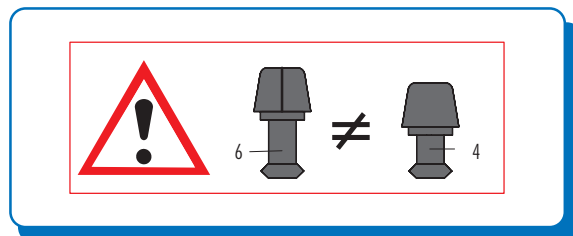
Singoli componenti
Перечень деталей
零件概览

	208 237 3 x	
	208 238 3 x	
	208 239 4 x	
	208 240 7 x	
	208 241 5 x	
	208 242 13 x	
	208 243 1 x	
	208 244 5 x	
	208 246 1 x	
	208 247 1 x	
	Erfinder Flexprofil 121 641 Design und Konzeption Andreas Lehrberger	

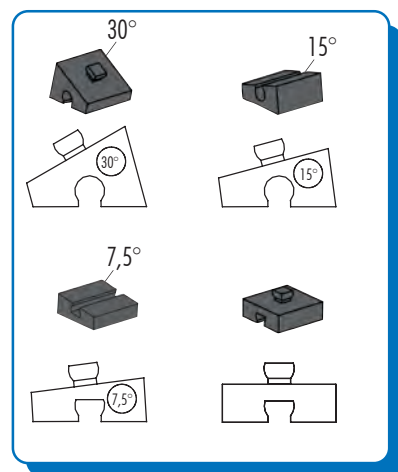
Montagetipp
Tips for assembly
Tuyaux pour le montage



Montagetips
Consejos para el montaje
"Dicas" para montagem



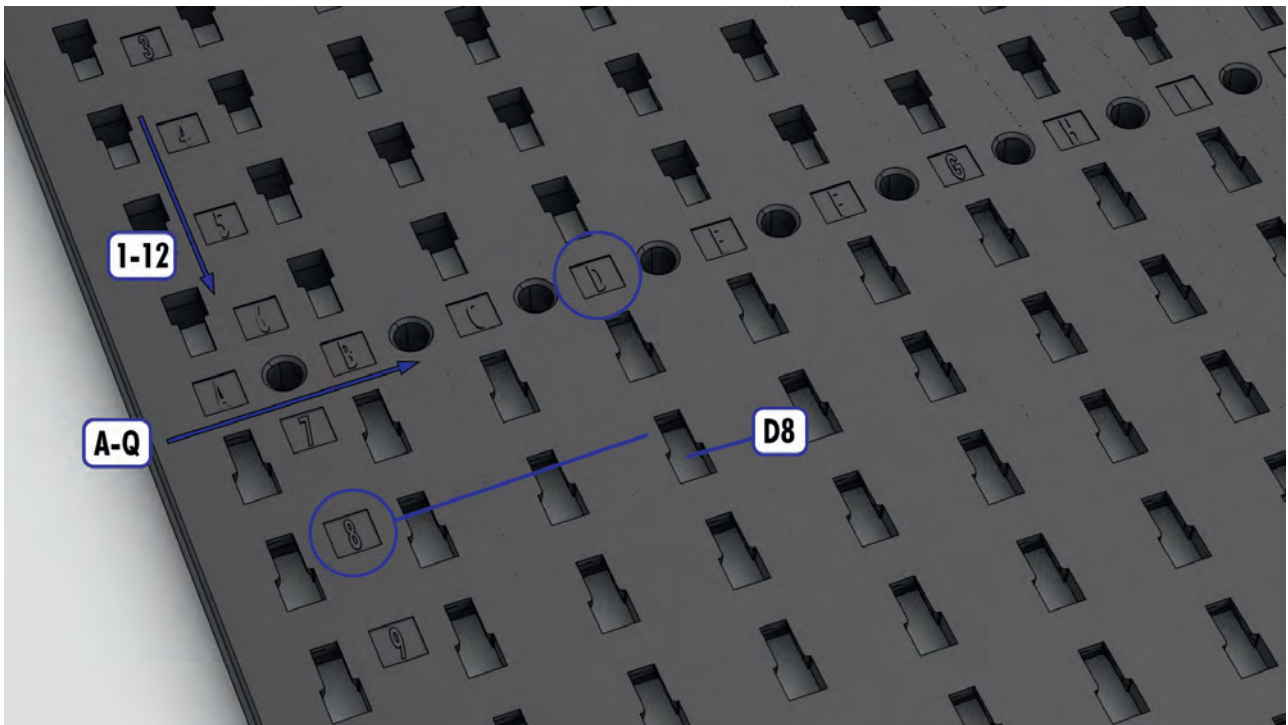
Consigli per il montaggio
Советы по сборке
装配建议



Montagetipps
Tips for assembly
Tuyaux pour le montage

Montagetipps
Consejos para el montaje
"Dicas" para montagem

Consigli per il montaggio
Советы по сборке
装配建议



Sicherheitshinweise
Safety Information
Consignes de sécurité

Veiligheidsrichtlijnen
Indicaciones de seguridad
Observações sobre segurança

Informazioni per la sicurezza
Указания по технике безопасности
安全指南

- Alle Einzelteile, insbesondere bewegliche Teile sind falls notwendig zu warten und zu reinigen.
- All components, especially moving parts, should be maintained and cleaned as necessary.
- Toutes les pièces détachées et en particulier les pièces mobiles, sont, si nécessaire, à entretenir et à nettoyer.
- Alle onderdelen, vooral de bewegende delen, kunnen, indien noodzakelijk, onderhouden en gereinigd worden.
- Es necesario limpiar y mantener en buen estado todas las diferentes piezas - especialmente las piezas móviles.
- Caso necessário, todas as peças individuais, especialmente peças móveis, tem que ser submetidas à manutenção e ser limpas.
- Se necessario, tutti i singoli componenti, soprattutto le parti mobili, si devono eventualmente sottoporre a manutenzione e pulizia.
- Все детали, особенно подвижные, требуют ухода и чистки.
- 必要时应保养和清洁所有零件，尤指运动部件。

- Achtung:
- Warning:
- Attention
- Waarschuwing
- Advertencia:
- Advertência:
- Avviso
- Внимание
- 警告：

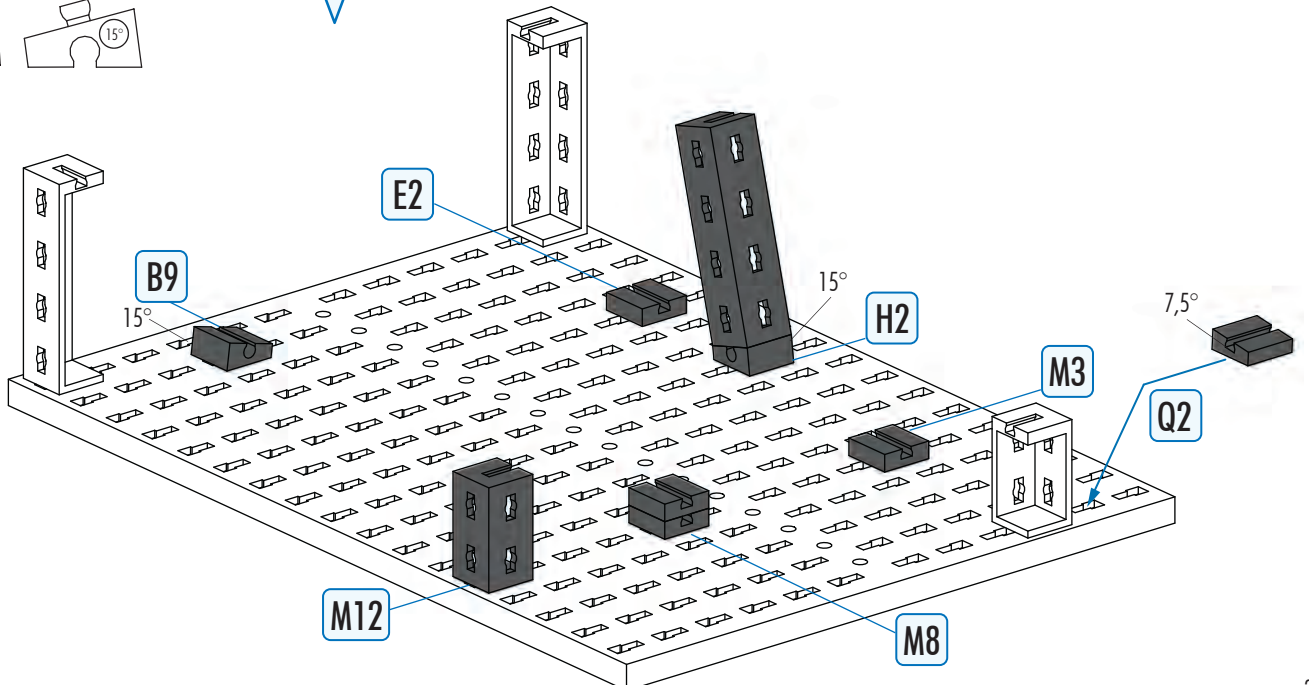
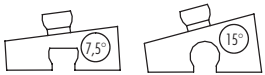
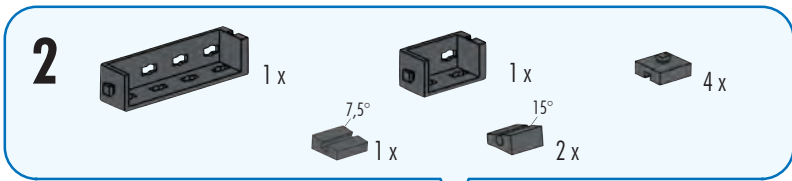
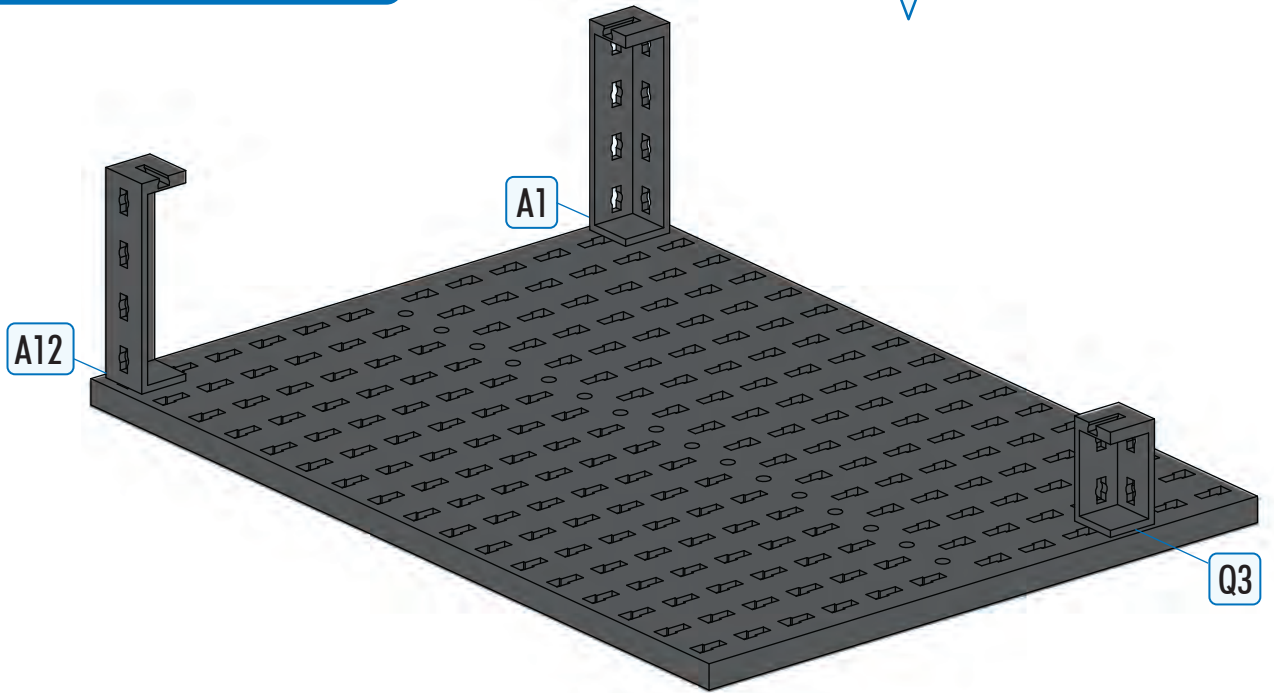
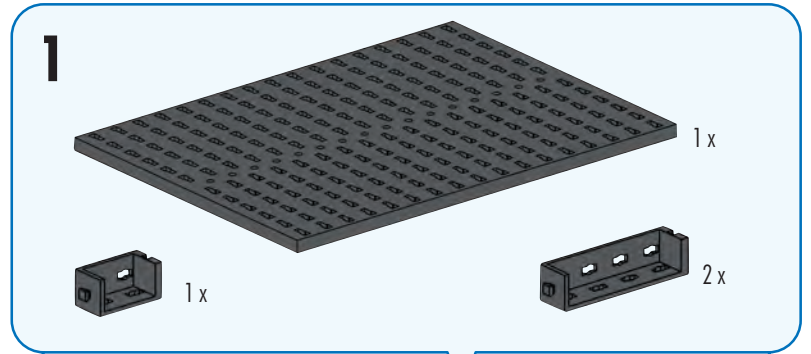


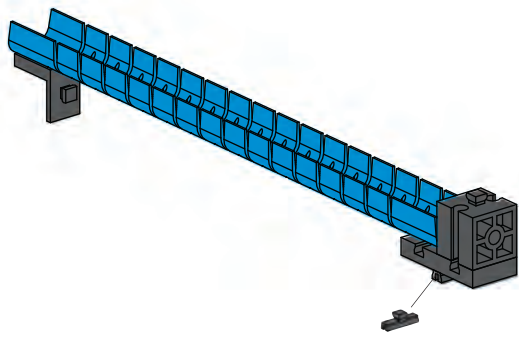
0-3

Erstickungsgefahr durch kleine Kugel und verschluckbare Kleinteile!
 risk of suffocation due to small balls and parts that can be swallowed!
 risque d'étouffement avec des petites billes et des petites pièces pouvant être avalées !
 verstikkingsgevaar door kleine kogeltjes en inslikbare kleine delen!
 iriesgo de asfixia con las bolas y piezas pequeñas que pueden ingerirse!
 perigo de asfixia devido a esferas pequenas e peças pequenas que podem ser engolidas!
 pericolo di soffocamento a causa delle piccole sfere e dei piccoli pezzi ingoiabili!
 Опасность удушения маленьким шариком и маленькими деталями!
 可能误吞的小球和小零件有造成窒息的危险！



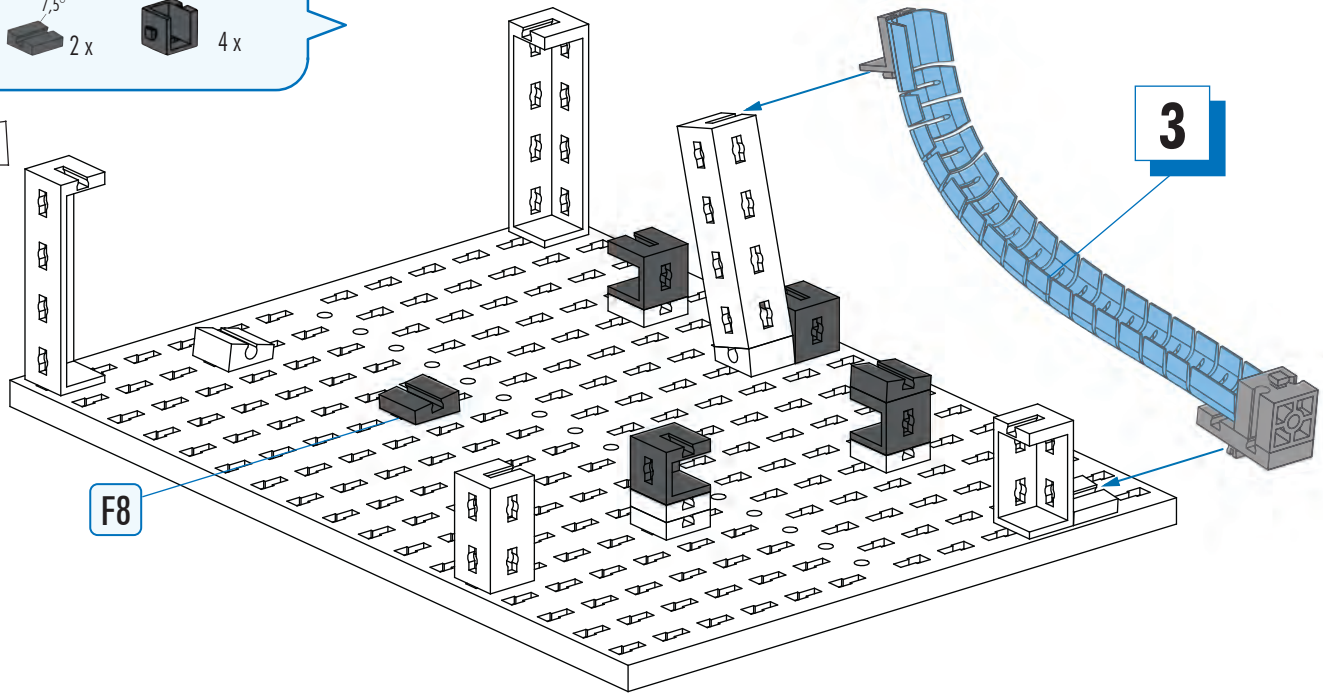
Booster 1



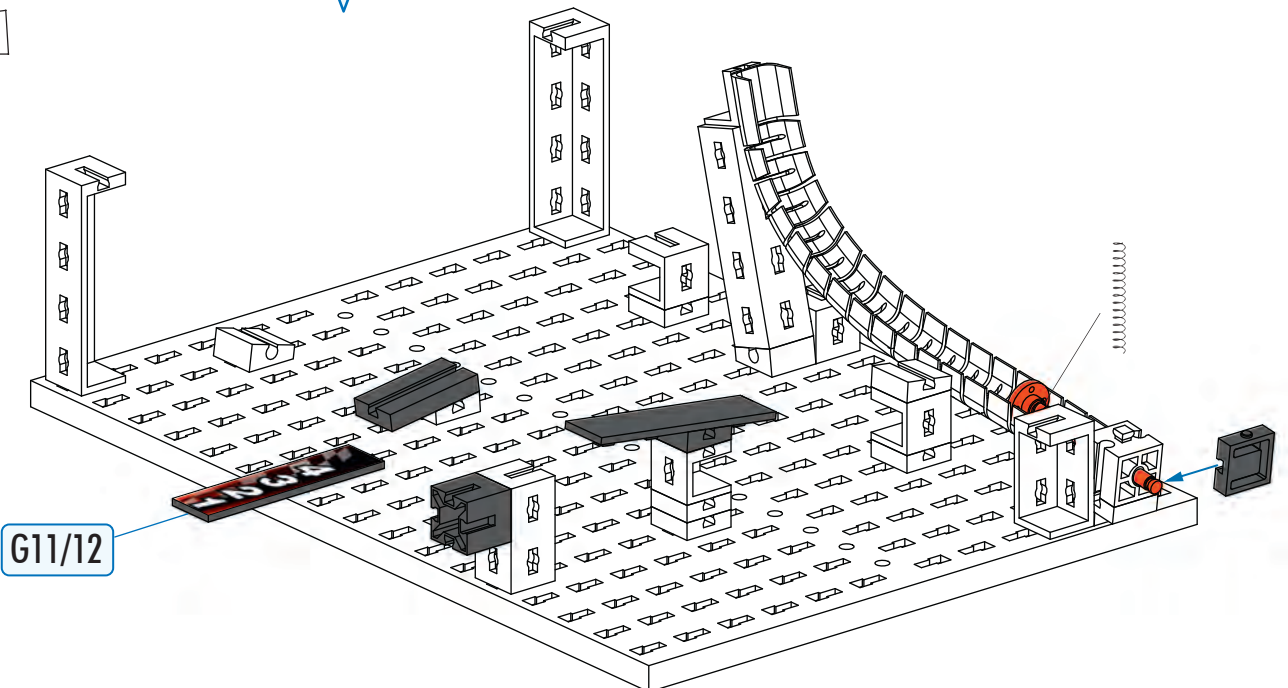





3

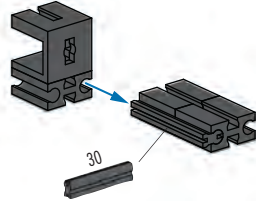
4

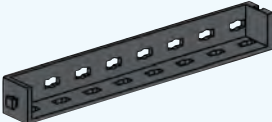
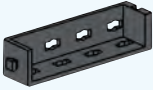






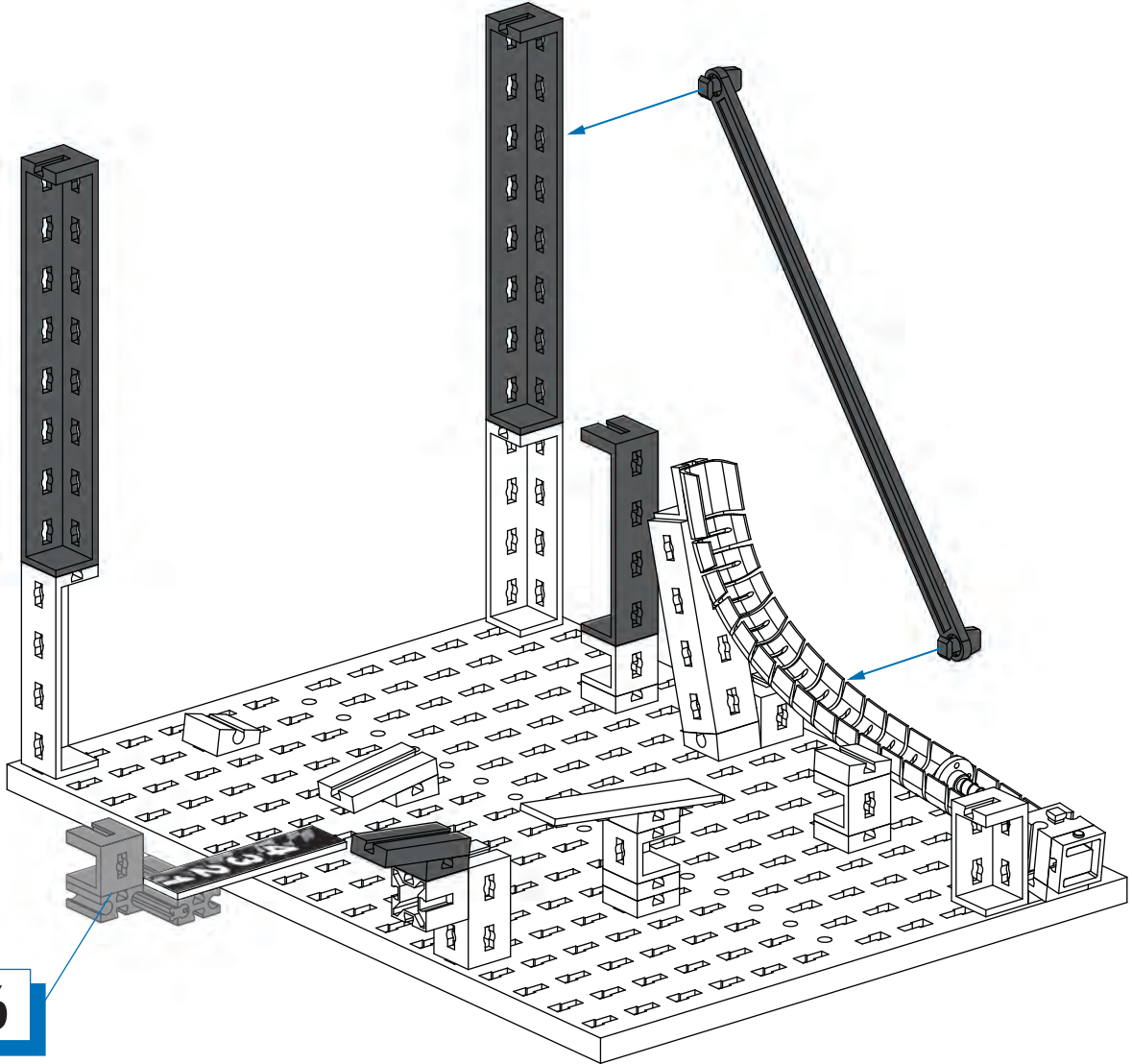
5

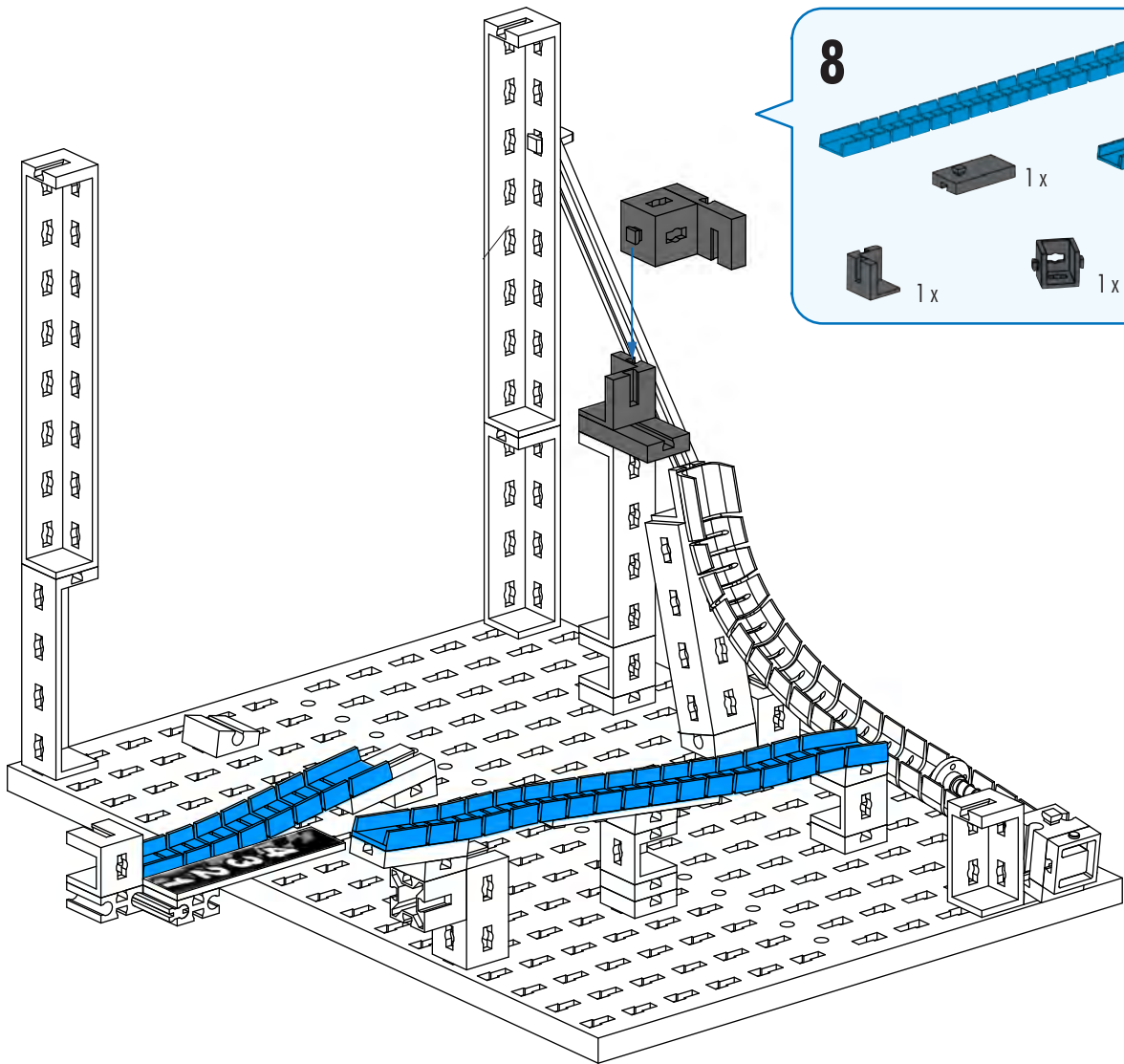


6  1x  3x  1x



7  2x  1x  1x  1x  1x  2x



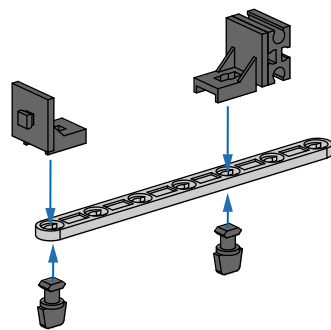


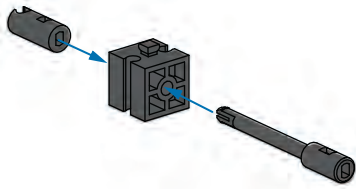
8

- 1x (Blue Technic Beam 11)
- 1x (Grey Technic Beam 3)
- 1x (Grey Technic Pin)
- 1x (Grey Technic Pin)
- 1x (Grey Technic Pin)
- 1x (Grey Technic Pin)
- 1x (Grey Technic Pin)

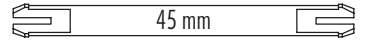
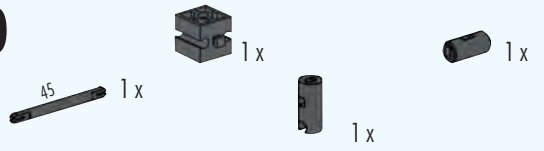
9

- 1x (Grey Technic Beam 11)
- 2x (Grey Technic Pin)
- 1x (Grey Technic Pin)
- 2x (Grey Technic Pin)

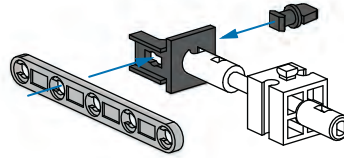
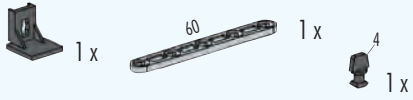




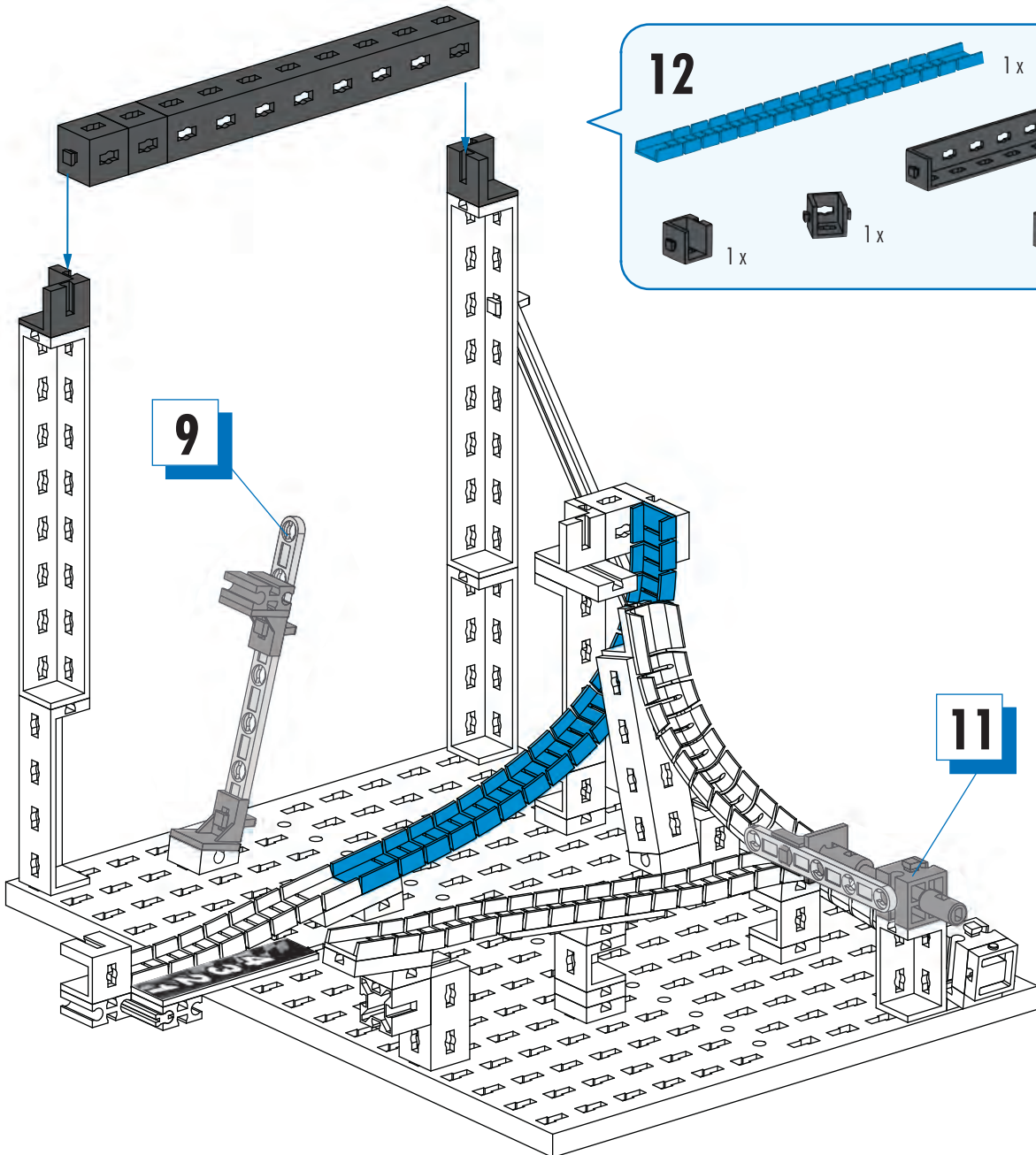
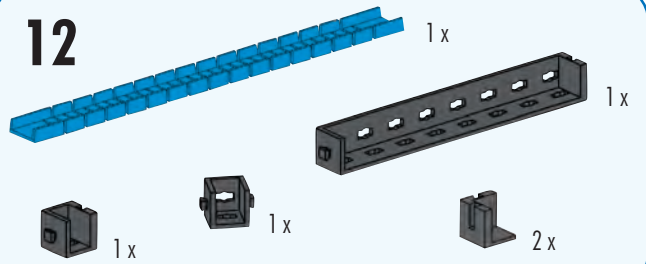
10



11

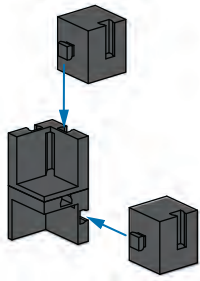




12





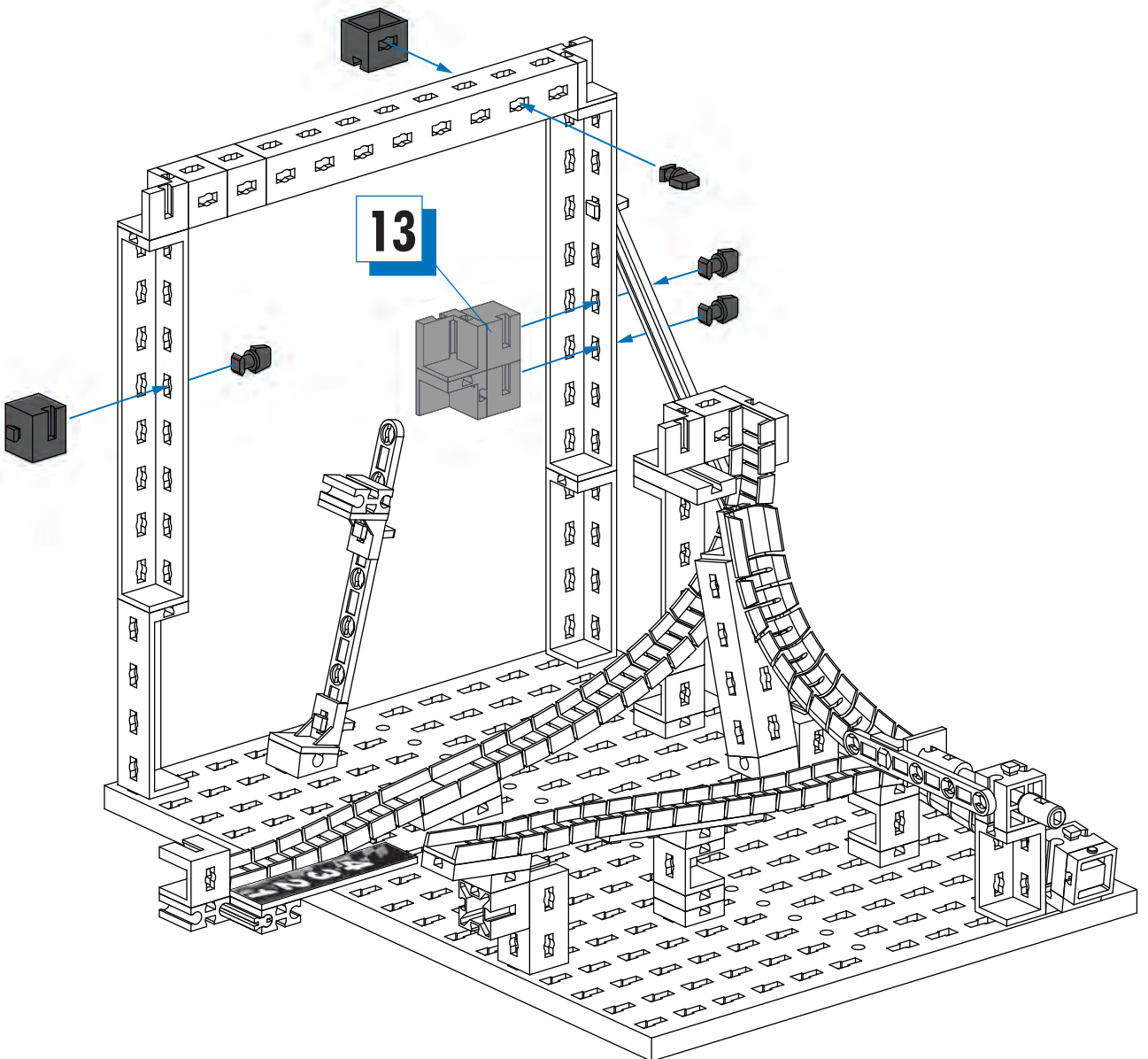
9

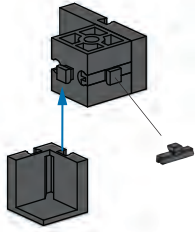
11



13  2x  2x

14  4x  2x

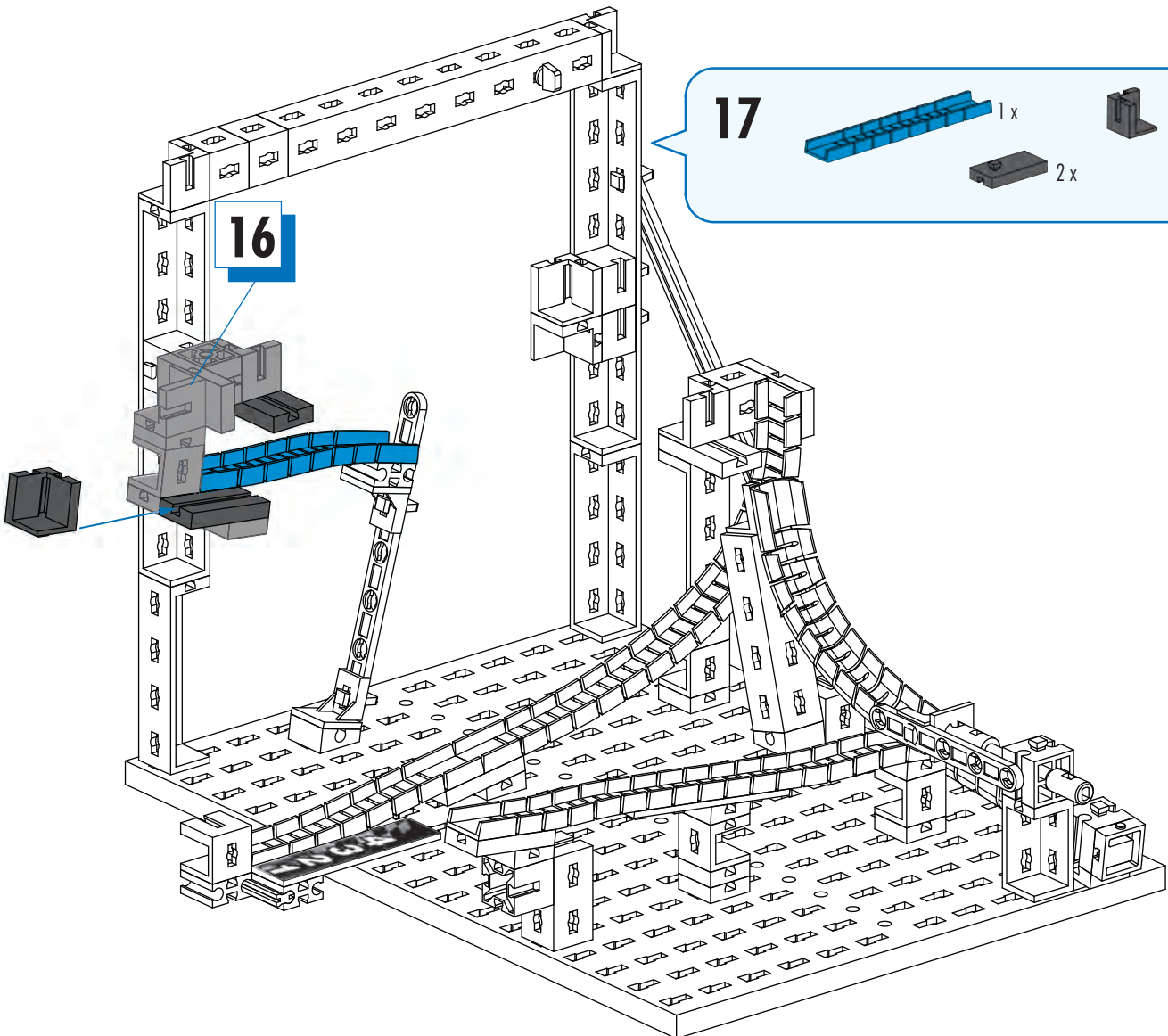
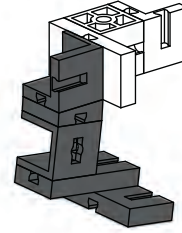
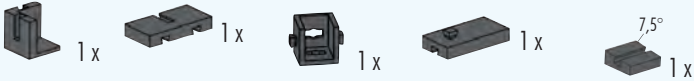




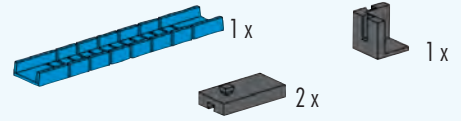
15

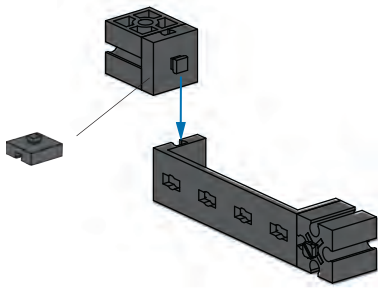


16



17



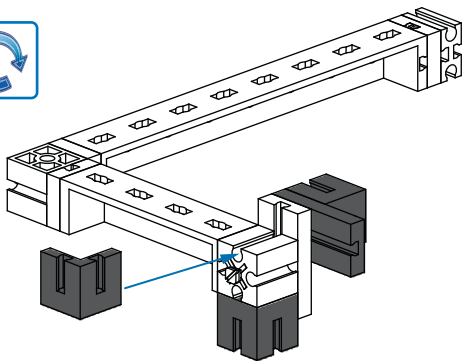
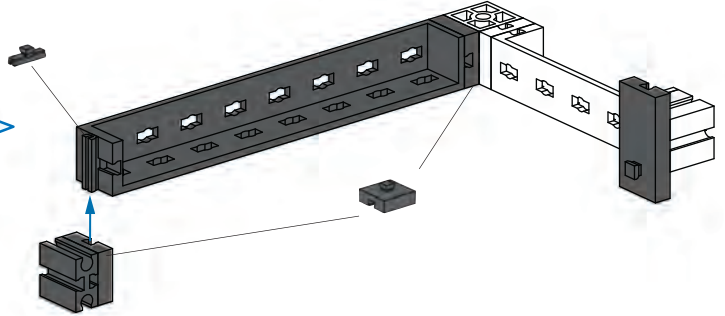


18

- 1x (long black beam)
- 1x (black square piece)
- 1x (black square piece)
- 1x (black square piece)

19

- 1x (long black beam)
- 1x (black square piece)
- 1x (black square piece)
- 2x (black square piece)
- 1x (black square piece)
- 1x (black square piece)

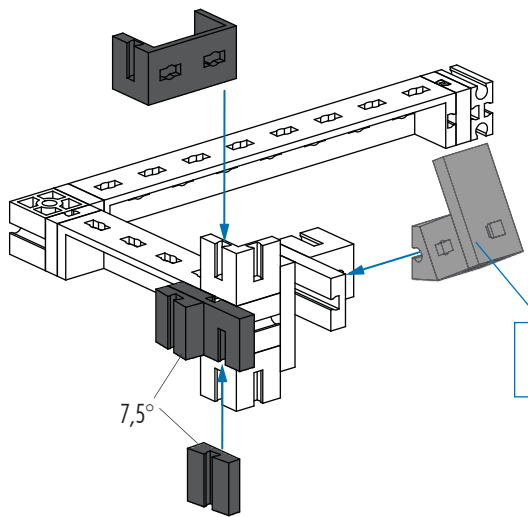
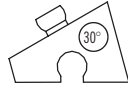
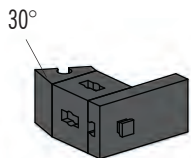


20

- 1x (black square piece)
- 3x (black square piece)

21

- 1x (black square piece)
- 1x (black square piece)
- 1x (black square piece, 30°)

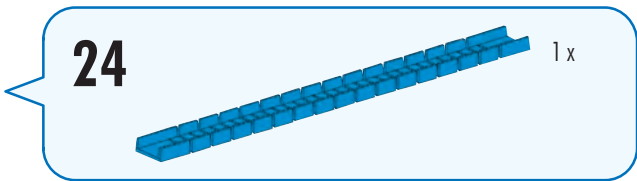
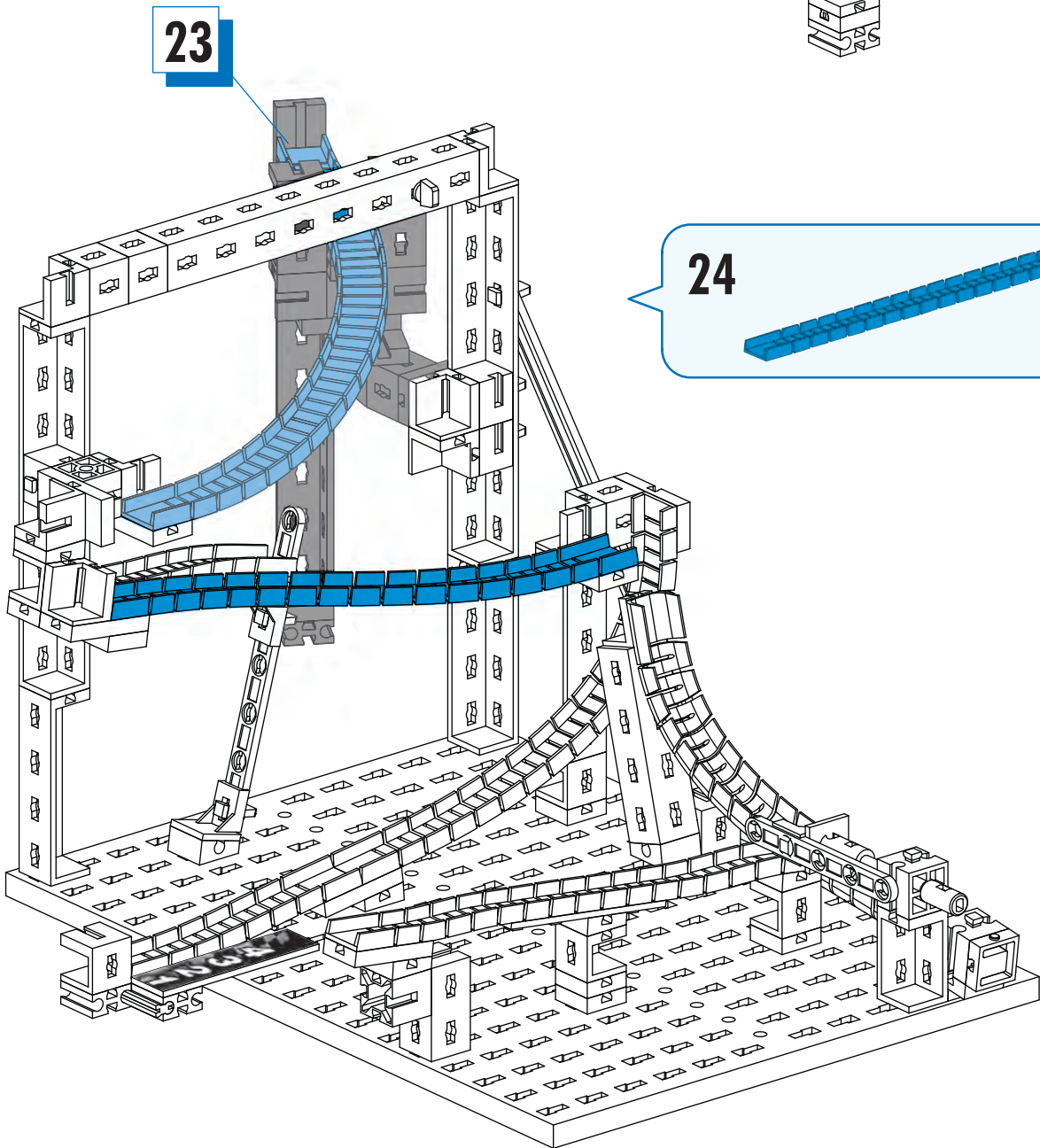
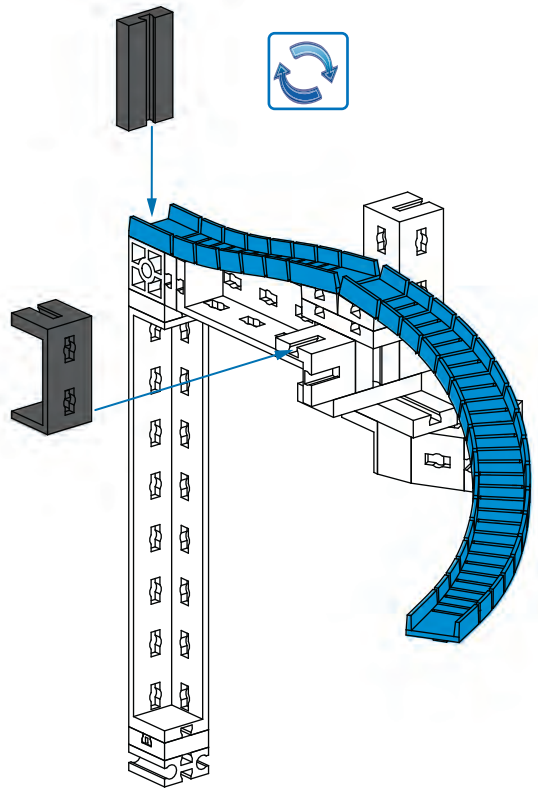
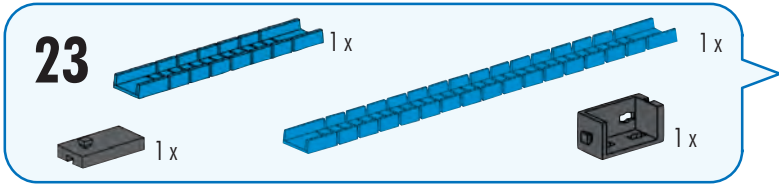


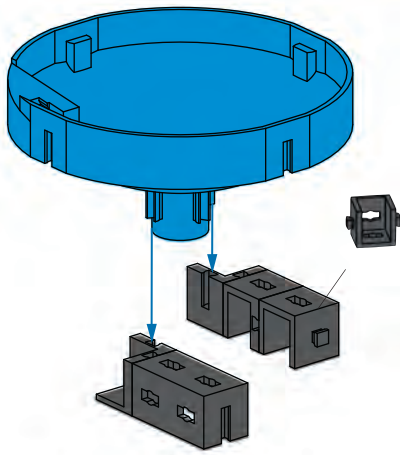
21

22

- 2x (black square piece, 7.5°)
- 1x (black square piece)
- 1x (black square piece)





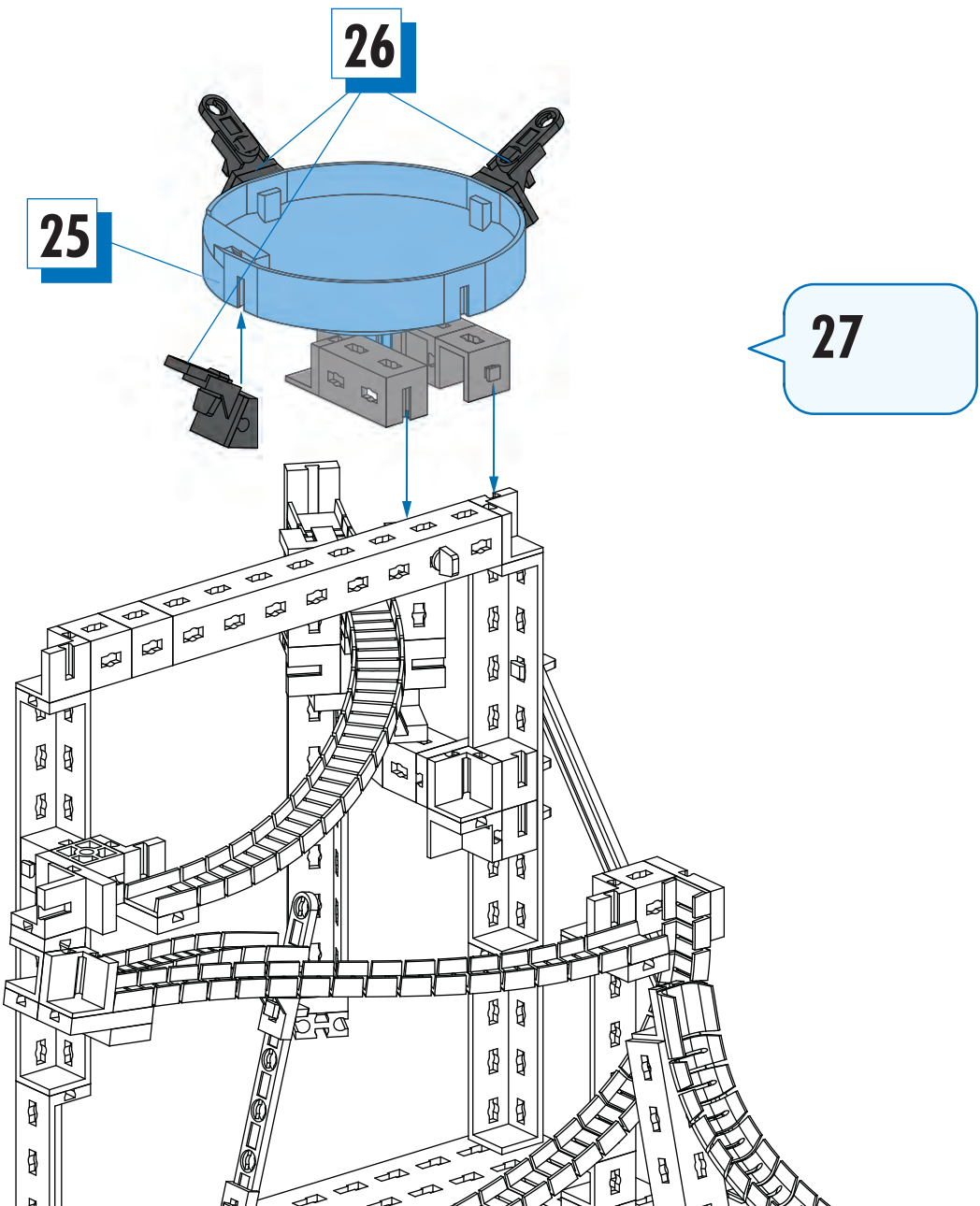
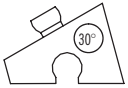
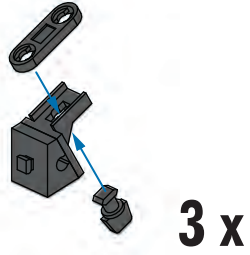


25

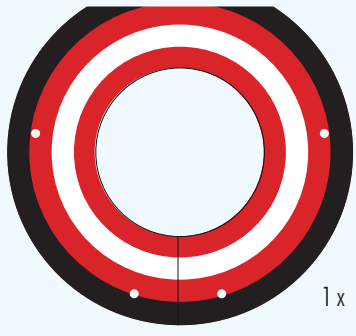
- 1x
- 2x
- 1x
- 1x

26

- 3x
- 30°
- 3x
- 4
- 3x

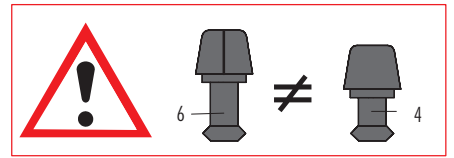


28

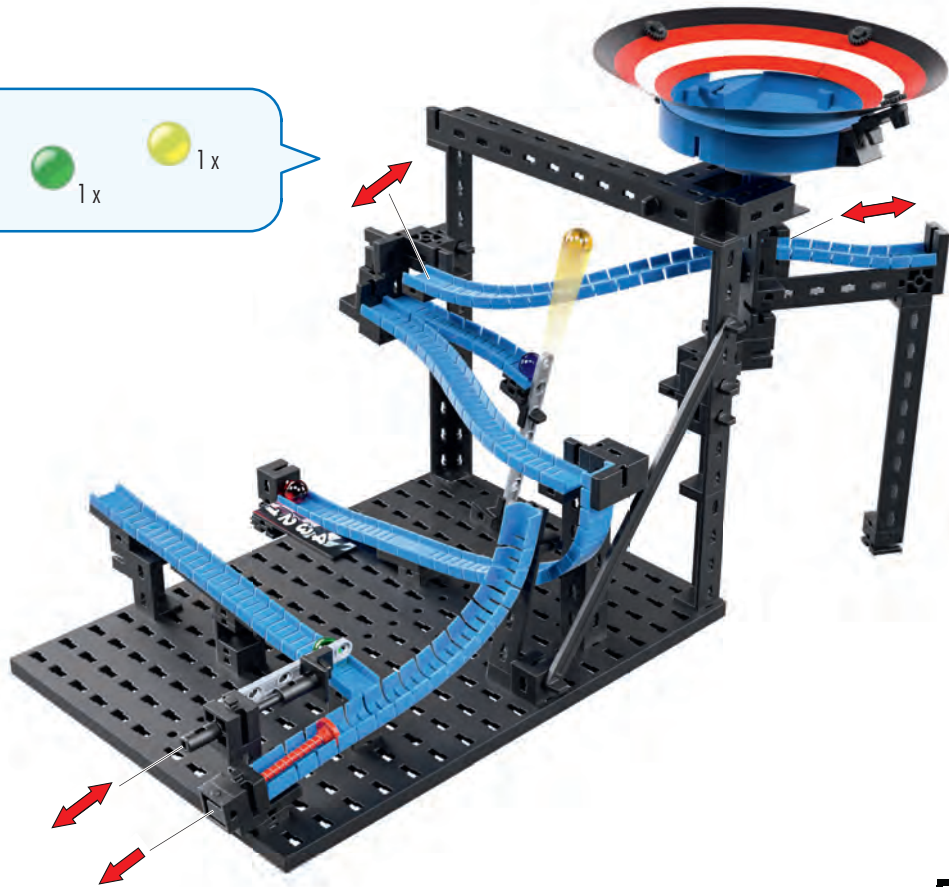


6 3x

3x



29



Modell in Action! / Model in action! / Modèle en service! / Model in actie! / ¡El modelo en acción! / Modelo em ação! / Il modello in azione! / Модель в действии! / 模型制作演示! :

<http://www.fischertechnik.de/e-learning/marble-competition-booster>



Race Track 1 + Booster 1



Marble Competition
564 070

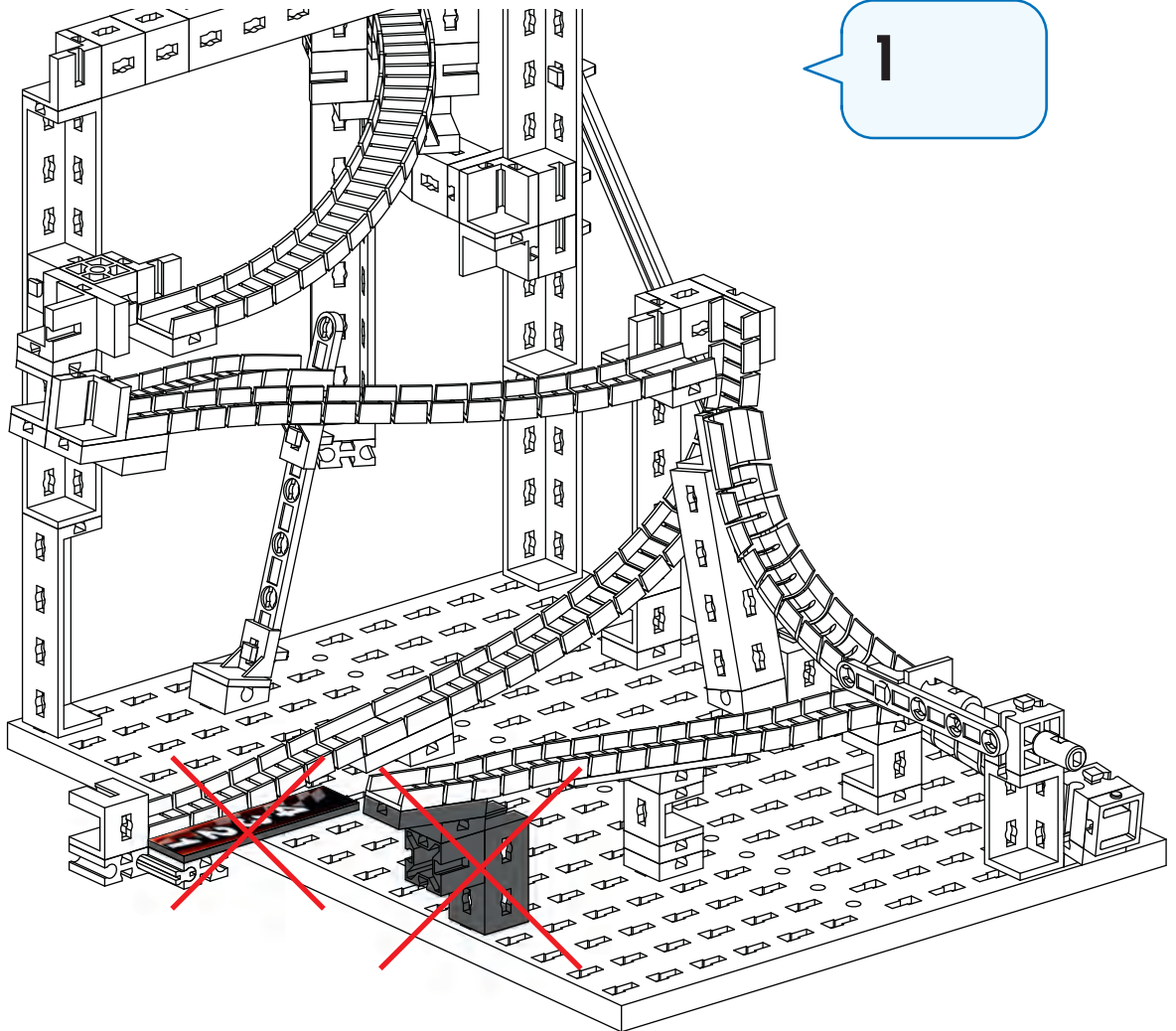
+



Marble Competition Booster
571 897



Booster 1

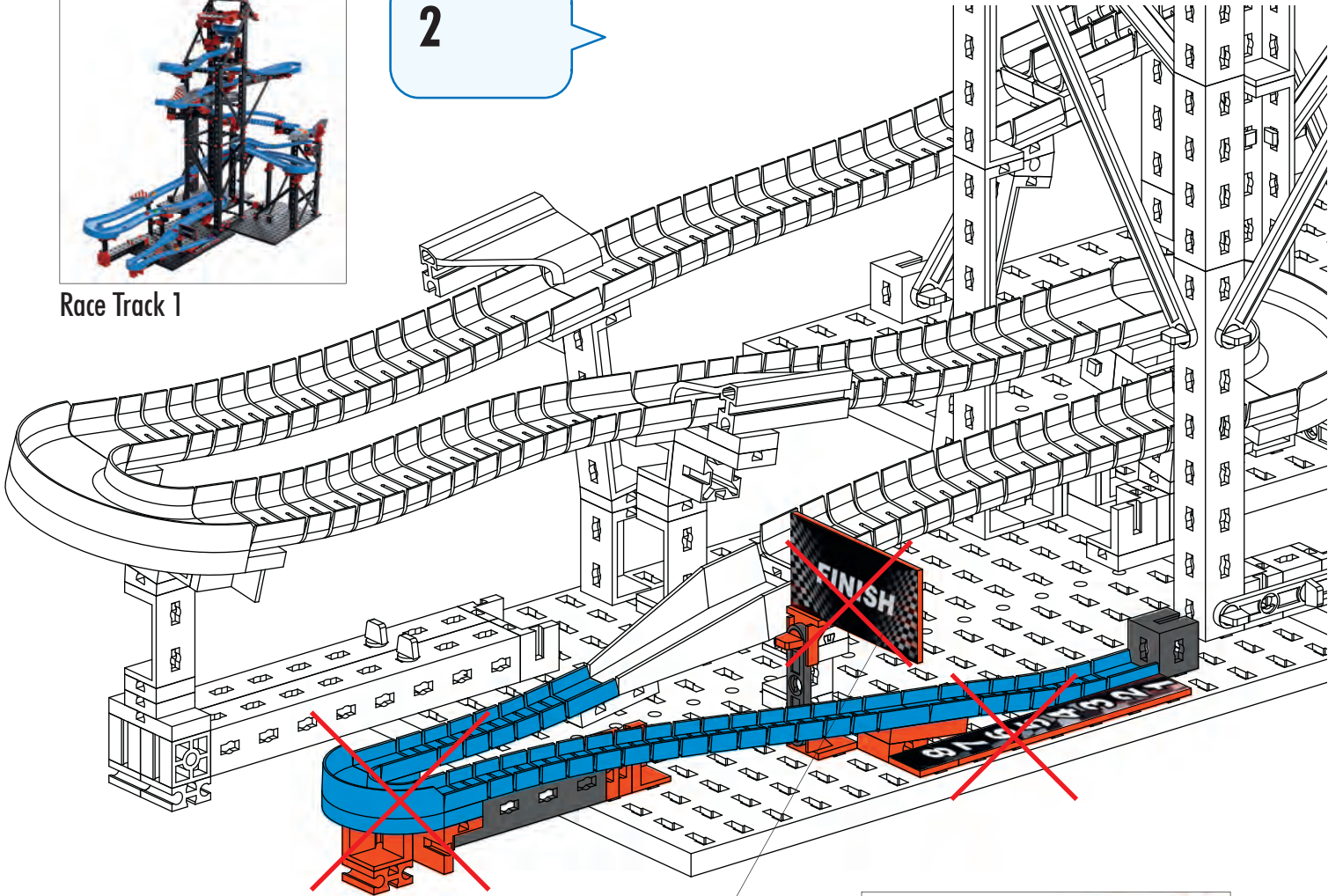


Farbige Bauteile ausbauen, werden beim weiteren Bauen benötigt / Removing colored components is required for further construction / Démontez les éléments colorés, ils seront nécessaires pour la suite de la construction / Verwijderen van gekleurde onderdelen is nodig voor verdere constructie / Para seguir construyendo es necesario retirar los componentes coloreados / A remoção de componentes coloridos é necessária para a construção posterior / La rimozione dei componenti colorati è necessaria per la costruzione successiva / Удаление цветных компонентов необходимо для дальнейшего строительства / 为进一步施工，需要拆除有色部件

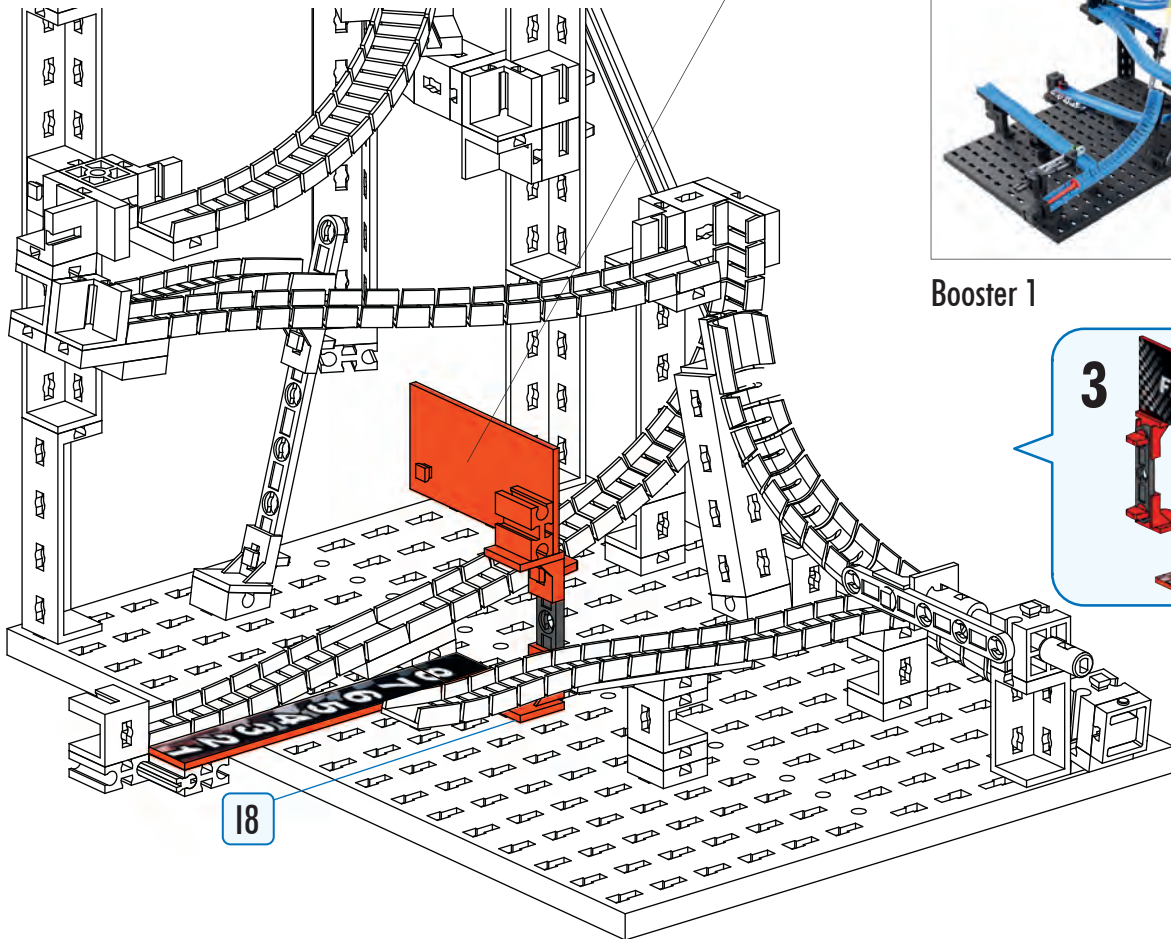


Race Track 1

2



Booster 1



18



3

FINISH

1x

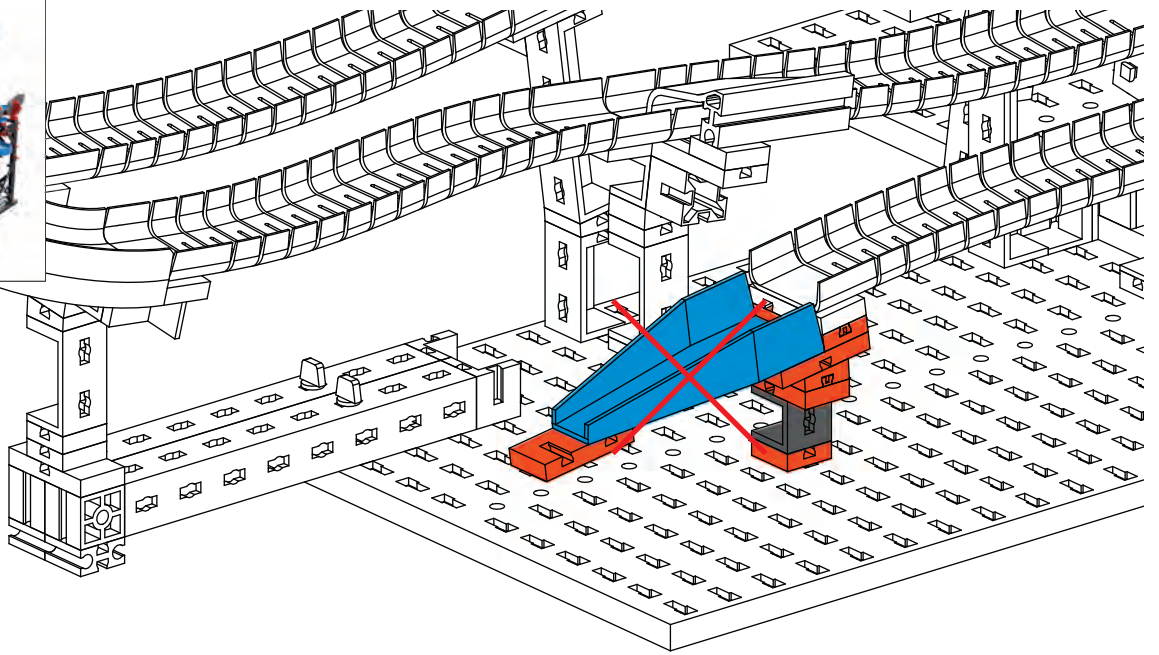
1x

1x



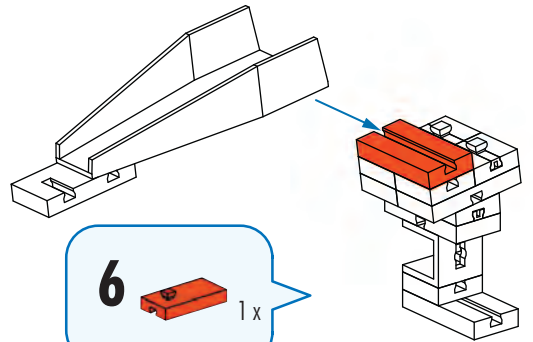
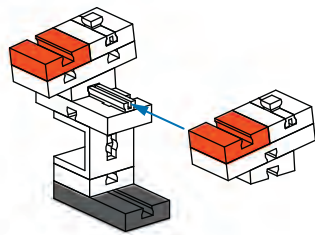
Race Track 1

4



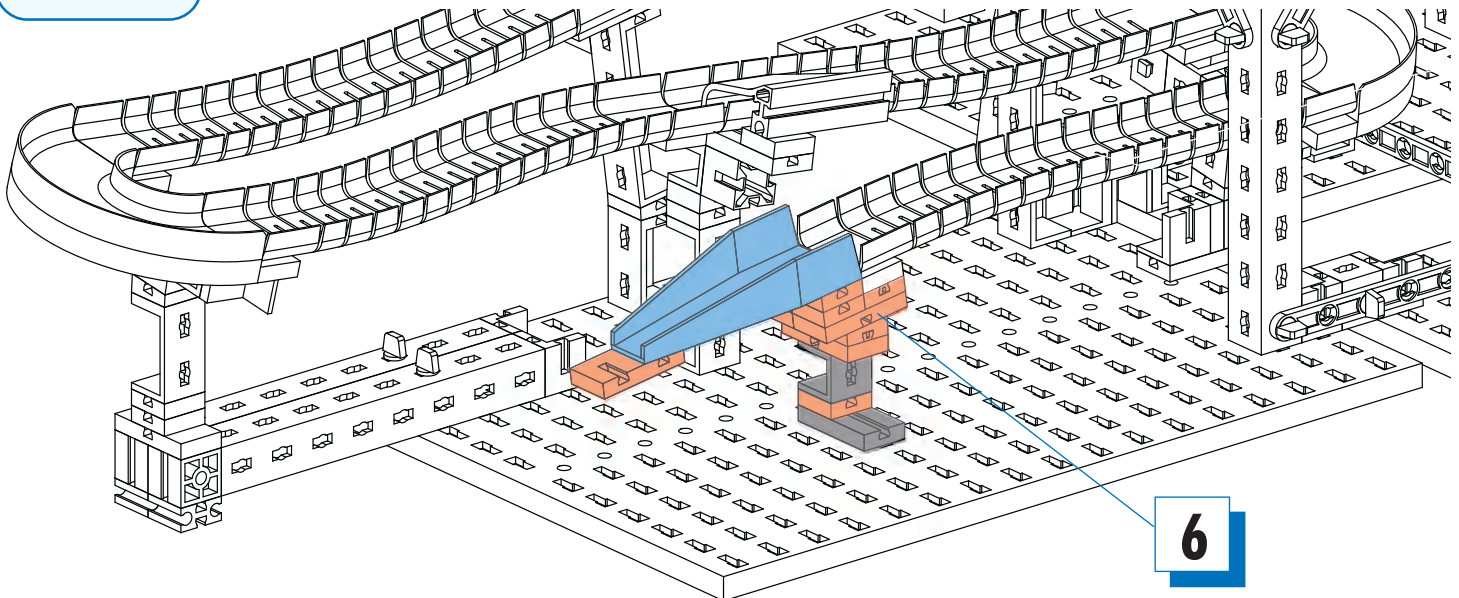
Farbige Baugruppe umbauen / Convert colored assembly / Transformer un assemblage en couleur / Gekleurde assemblage omzetten /
 Convertir montage de color / Converter montagem colorida / Convertire l'assemblaggio colorato / Преобразование цветной
 сборки / 转换彩色组件

5
 1 x
 2 x

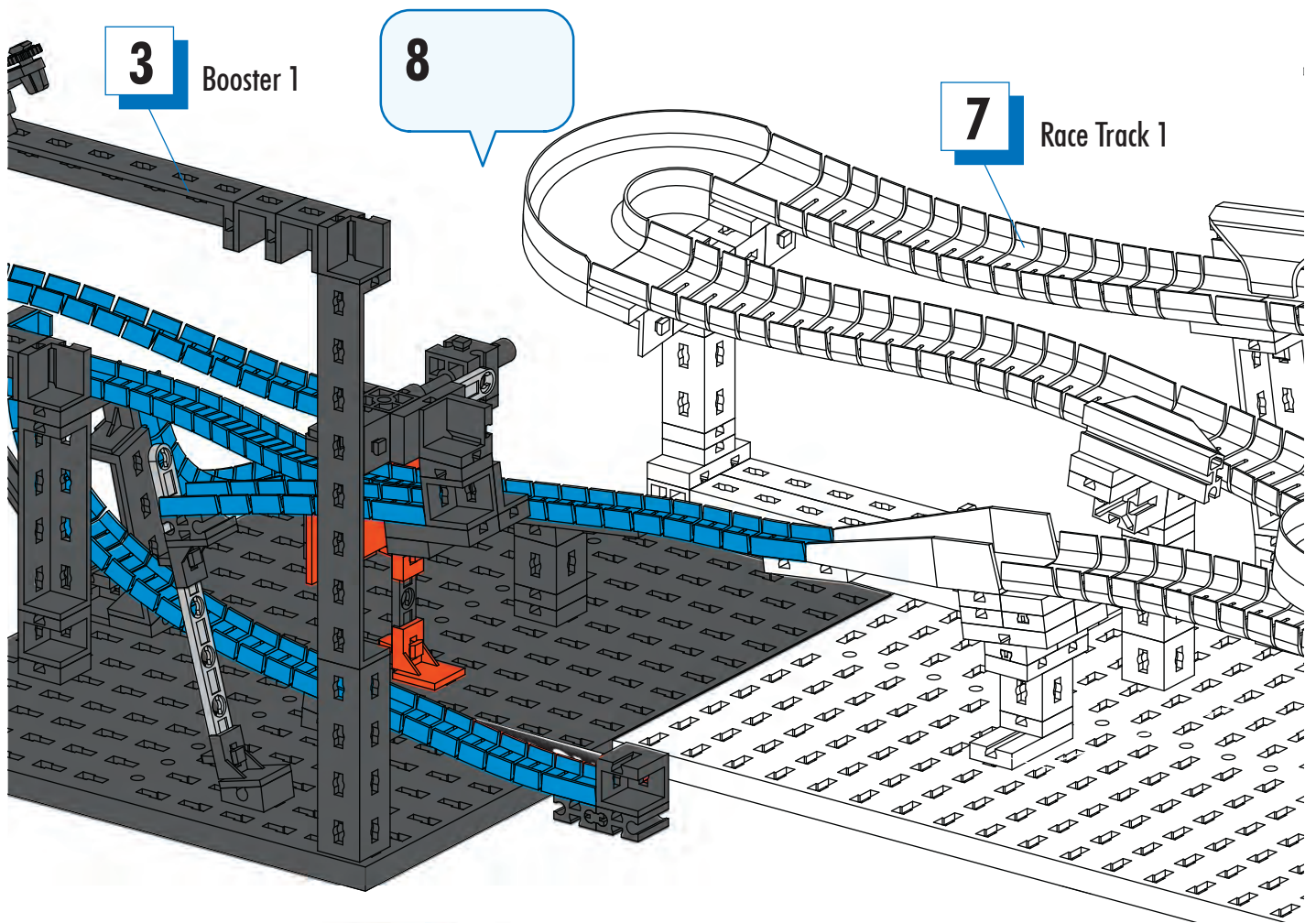


6
 1 x

7



6



Modell in Action! / Model in action! / Modèle en service! / Model in actie! / ¡El modelo en acción! / Modelo em ação! /
 Il modello in azione! / Модель в действии! / 模型制作演示! :

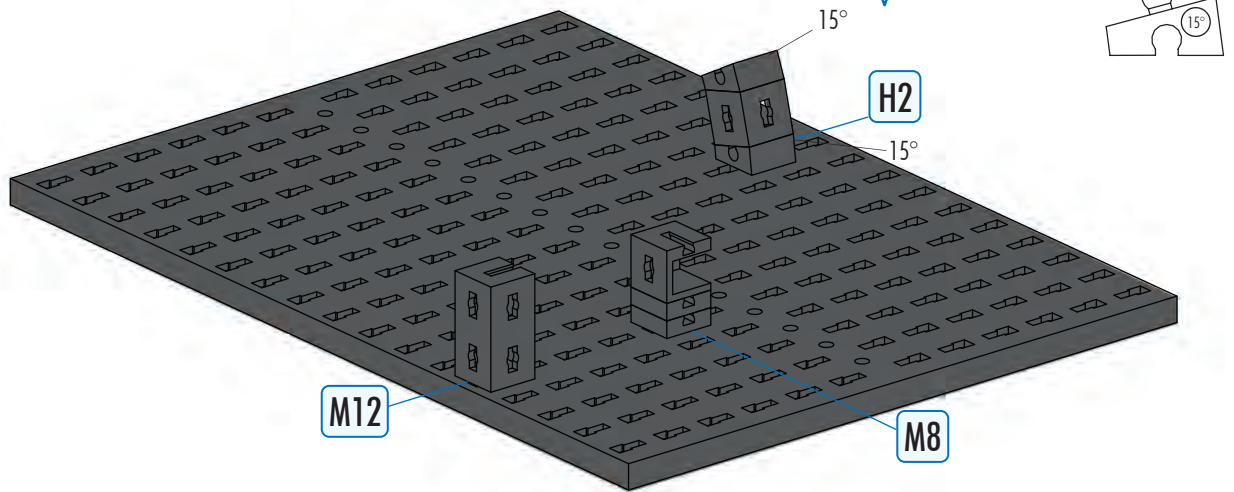
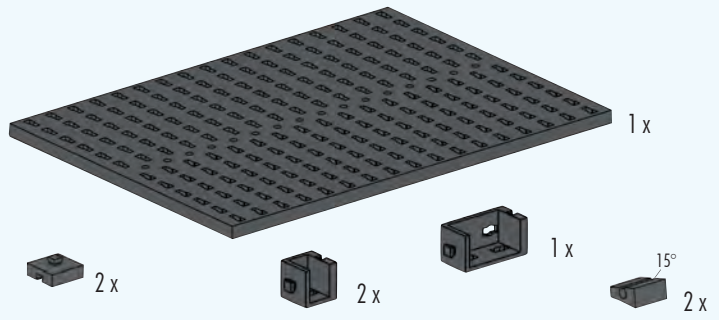


<http://www.fischertechnik.de/e-learning/marble-competition-booster>

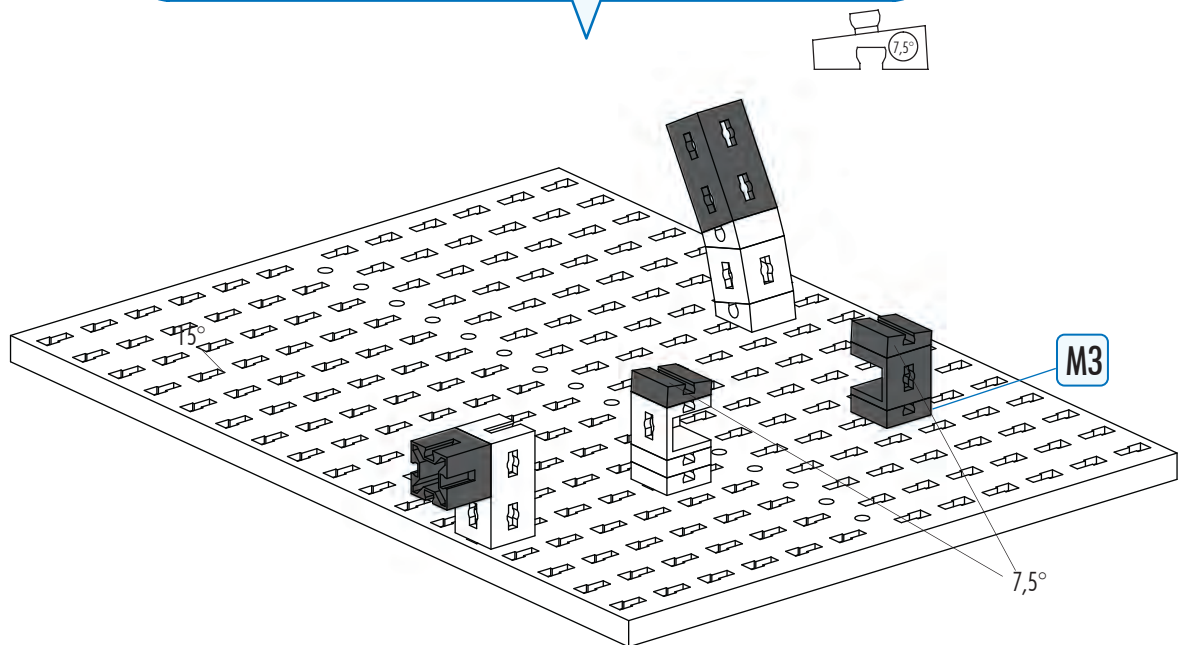
Booster 2



1



2



3



1 x



1 x

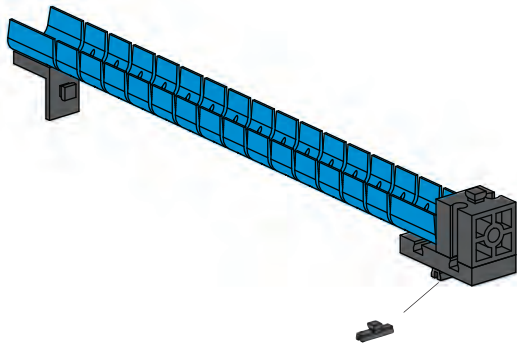
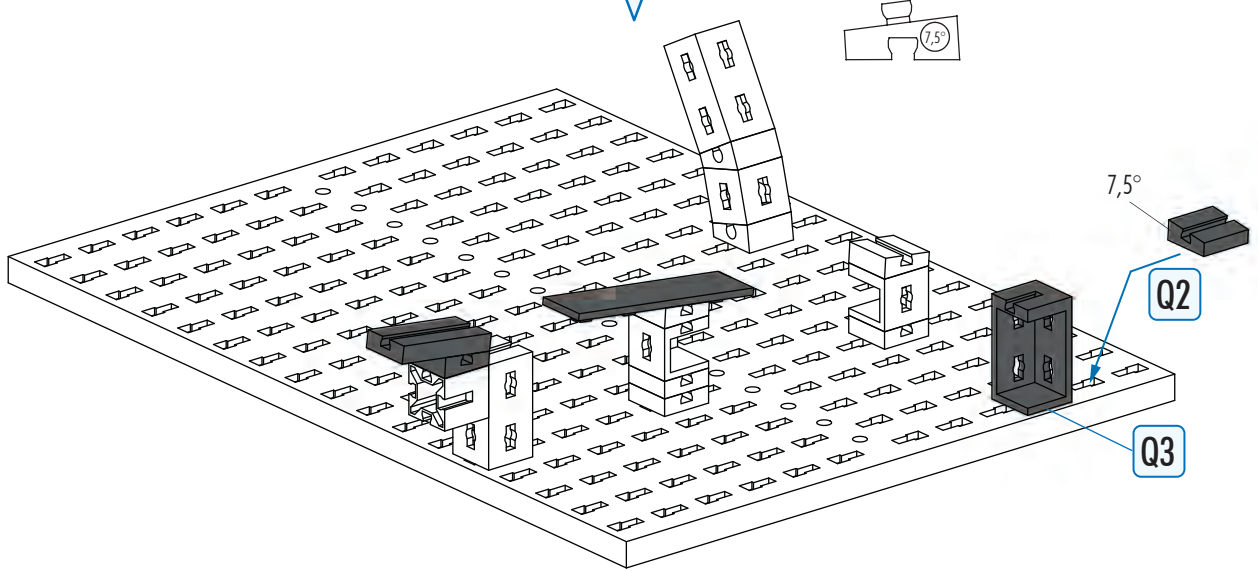


1 x

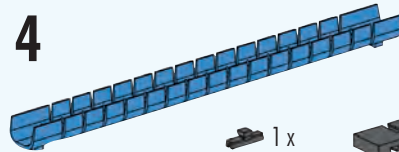


7,5°

2 x



4



1 x



1 x

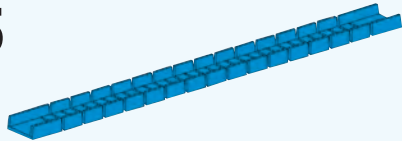


1 x

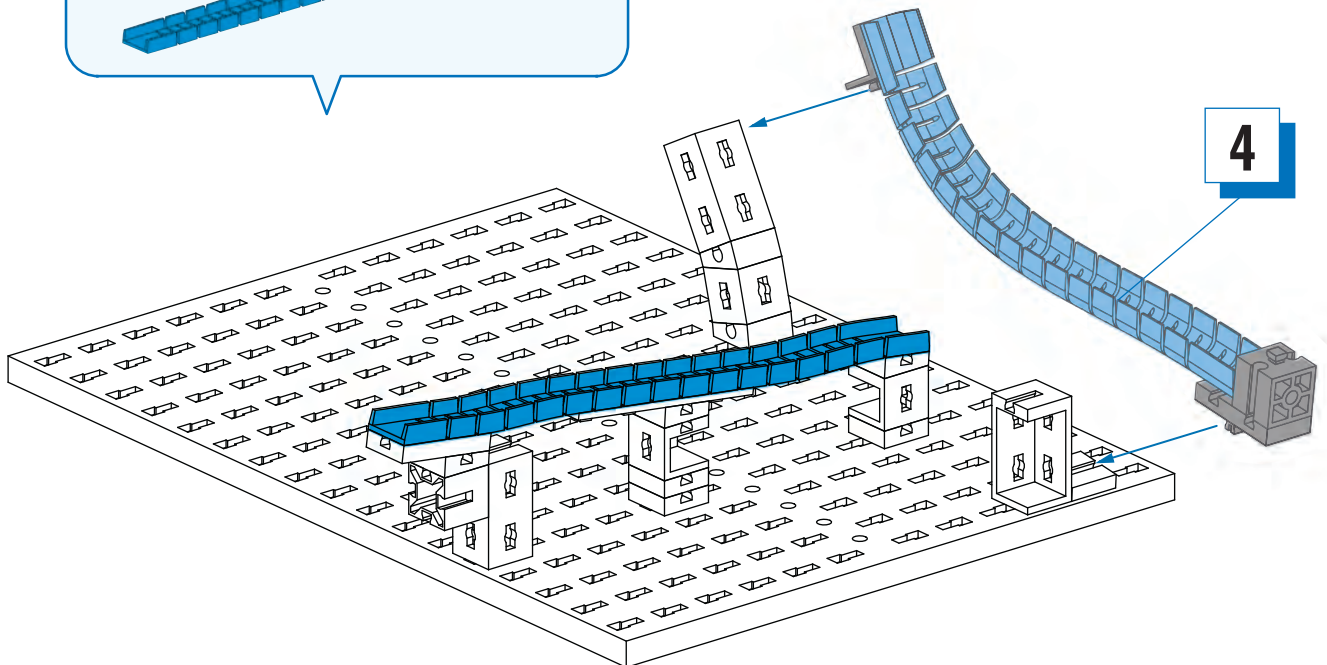


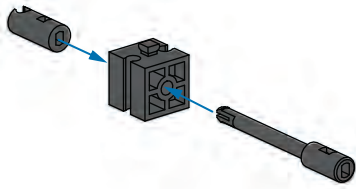
1 x

5



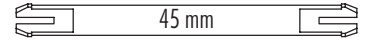
1 x





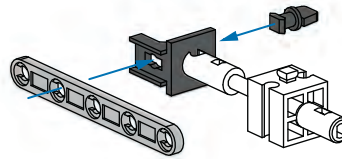
6

- 45 1x
- 1x
- 1x
- 1x



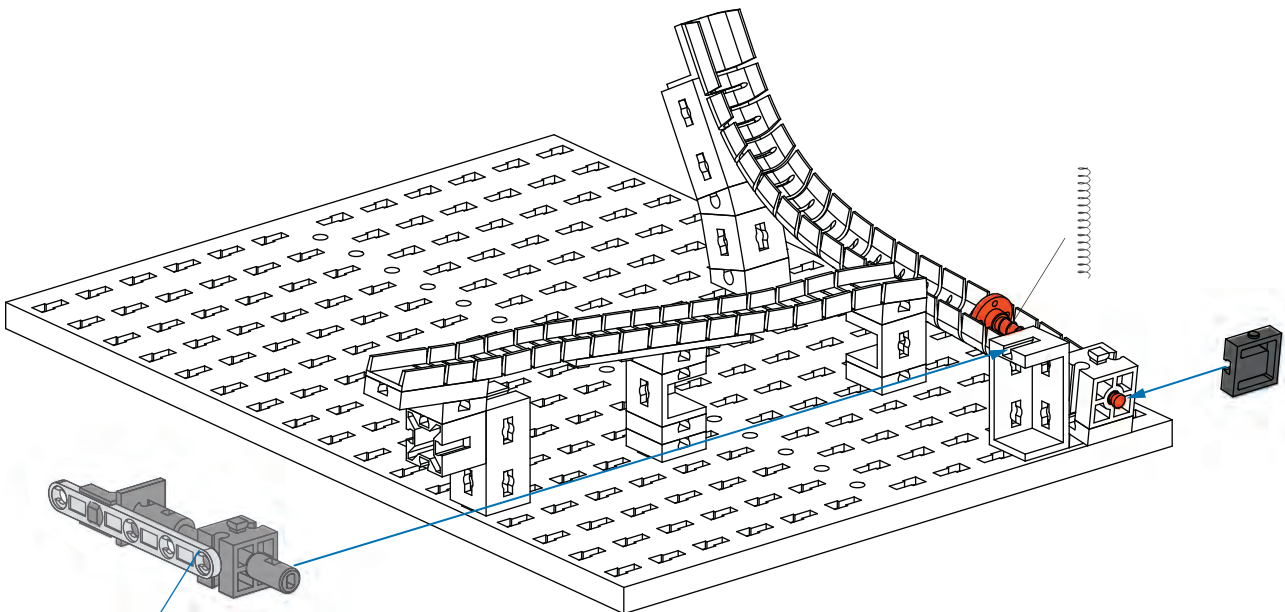
7

- 1x
- 60 1x
- 4 1x

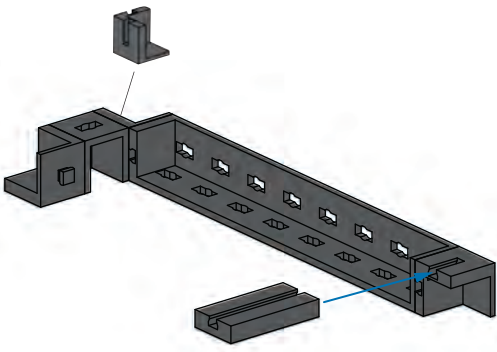


8

- 1x
- 1x
- 1x



7

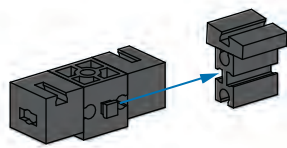
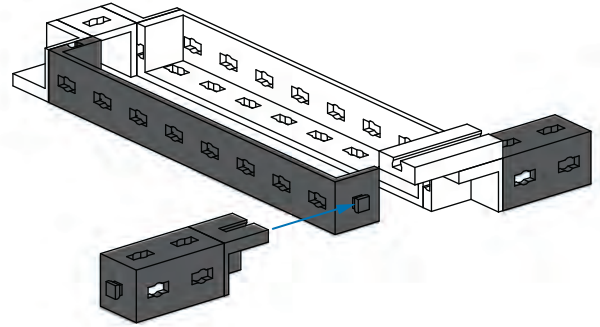


9

- 1 x [Long grey Technic beam]
- 1 x [Grey Technic connector]
- 3 x [Grey Technic L-shaped pins]
- 1 x [Grey Technic short beam]

10

- 1 x [Long grey Technic beam]
- 2 x [Grey Technic connector]
- 1 x [Grey Technic L-shaped pin]



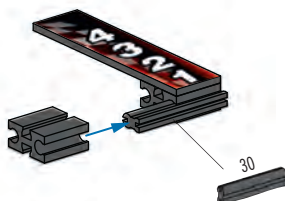
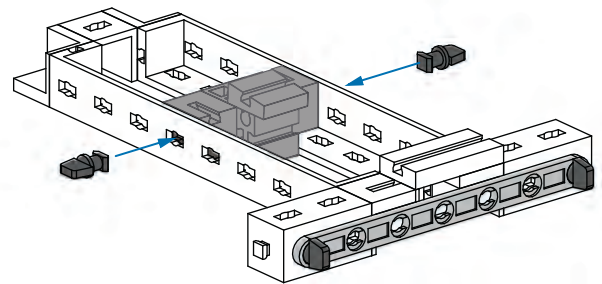
11

- 2 x [Grey Technic connector]
- 1 x [Grey Technic connector]
- 1 x [Grey Technic L-shaped pin]
- 1 x [Grey Technic 7.5 degree wedge]



12

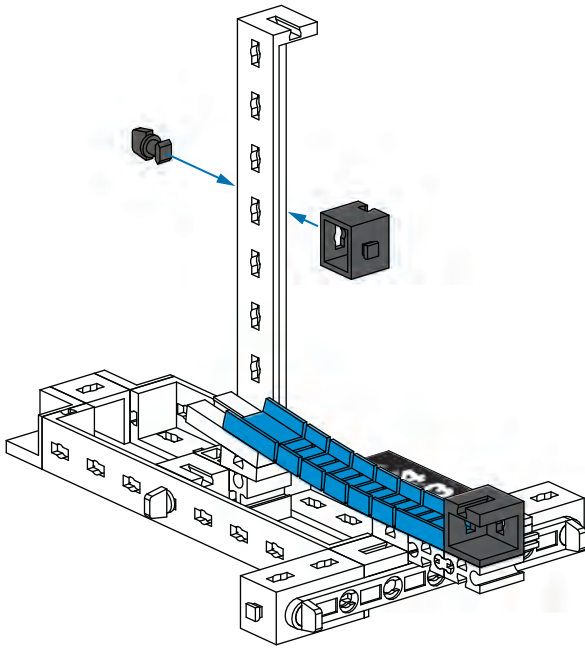
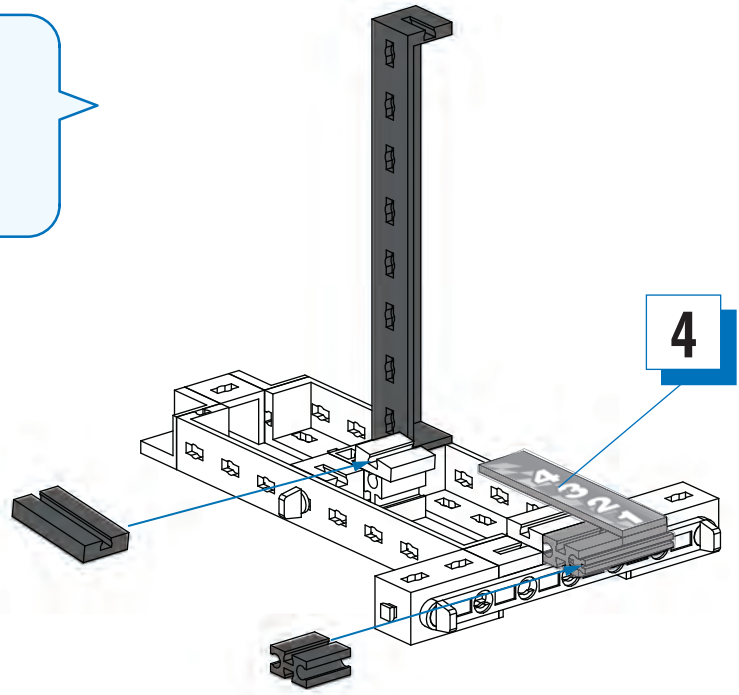
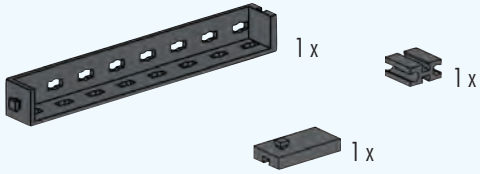
- 1 x [Grey Technic beam with 90 degree angle]
- 4 x [Grey Technic pins with 4 degree angle]



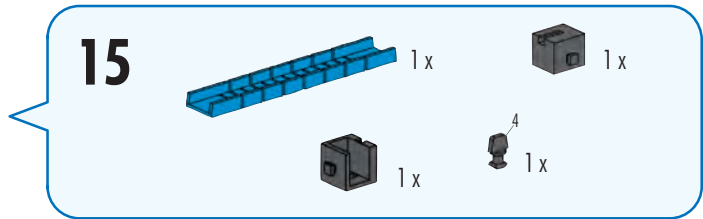
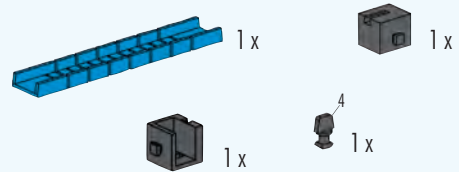
13

- 1 x [Grey Technic beam with 30 degree angle]
- 2 x [Grey Technic L-shaped pins]
- 1 x [Grey Technic beam with 30 degree angle]

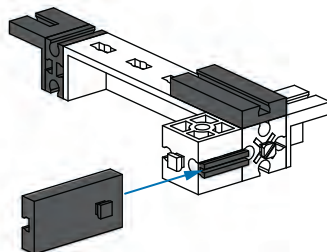
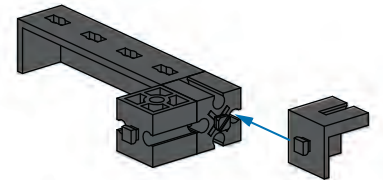
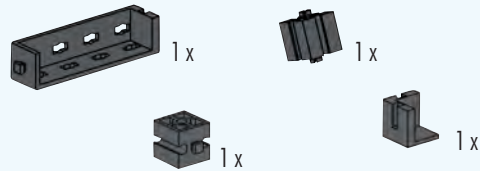
14



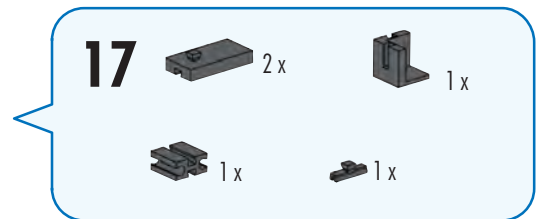
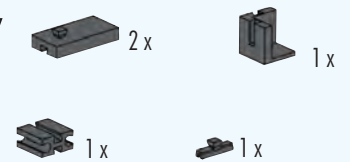
15

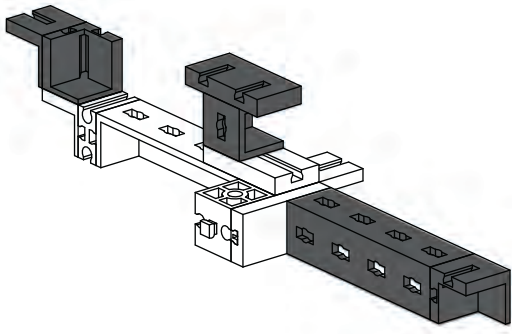


16

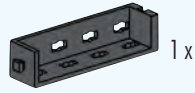


17





18



1 x



3 x



1 x



1 x

19



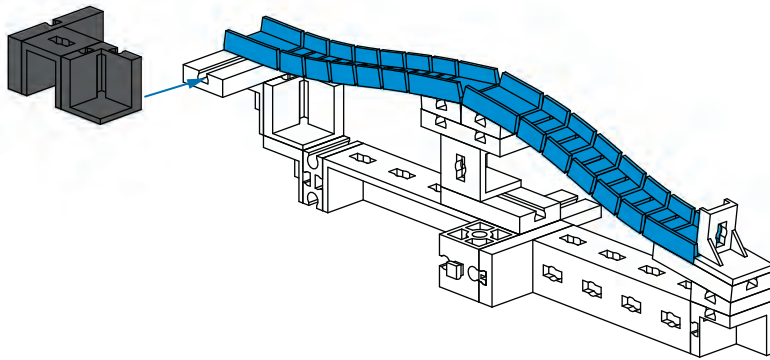
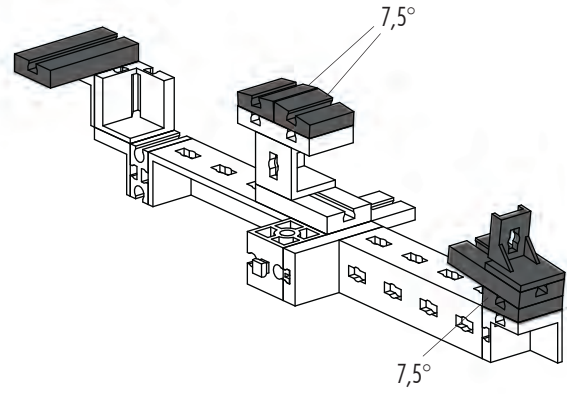
2 x



1 x



3 x



20



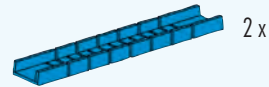
1 x



1 x

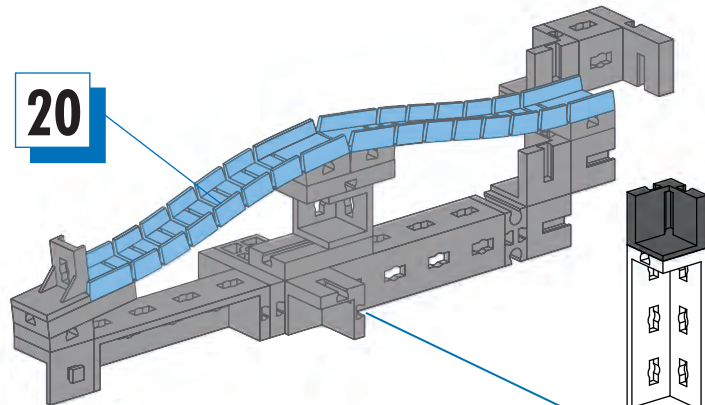


1 x



2 x

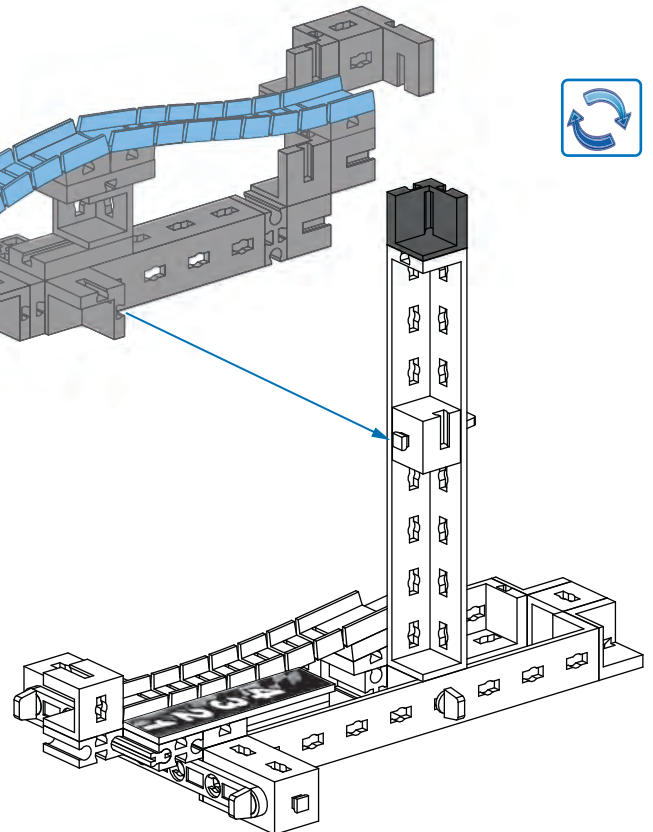
20



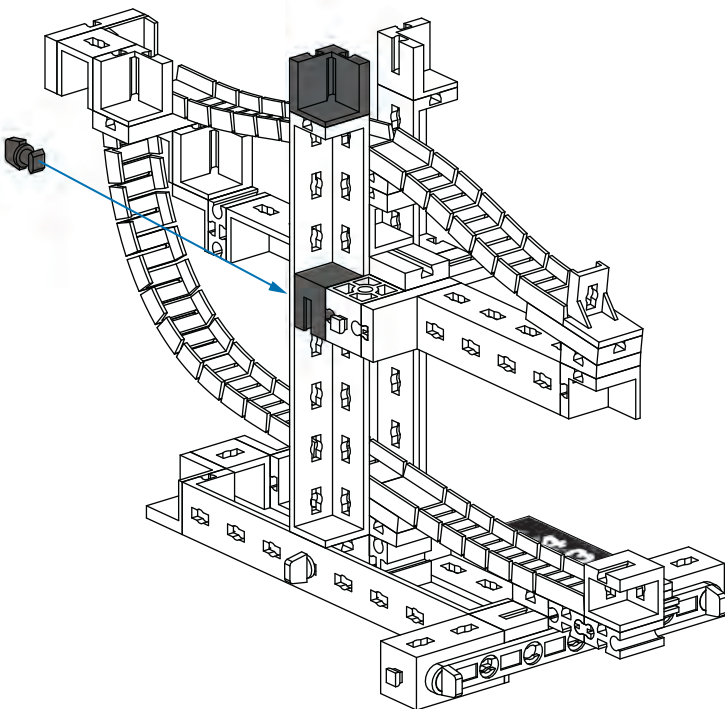
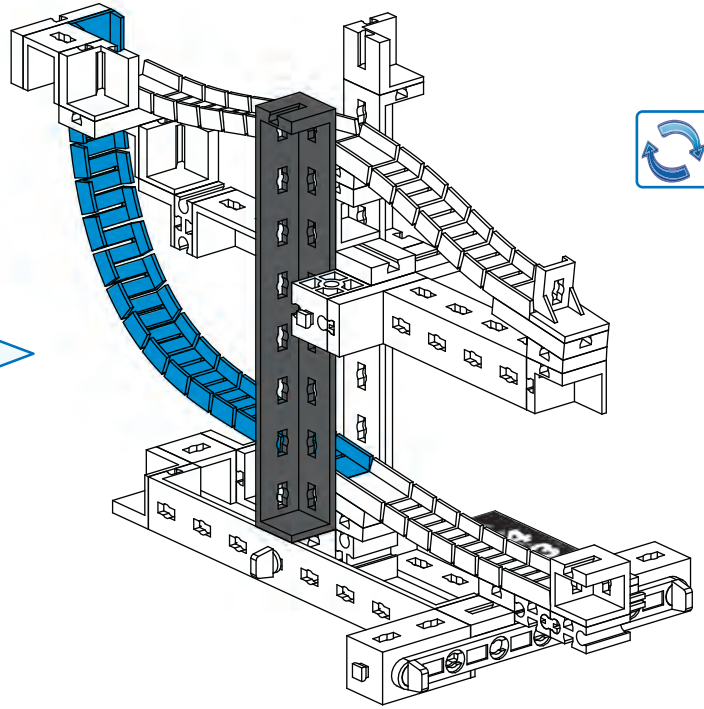
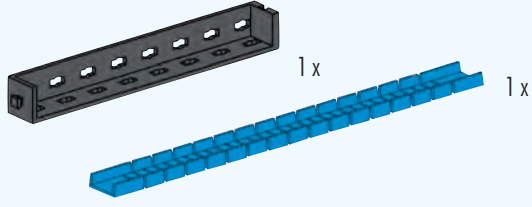
21



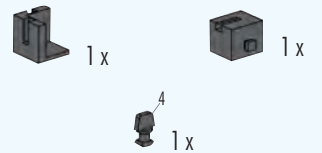
1 x



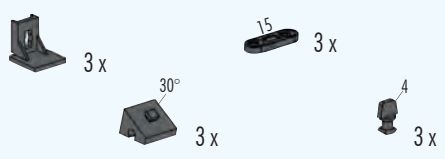
22



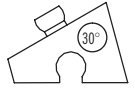
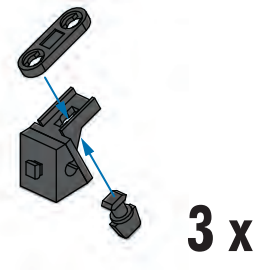
23



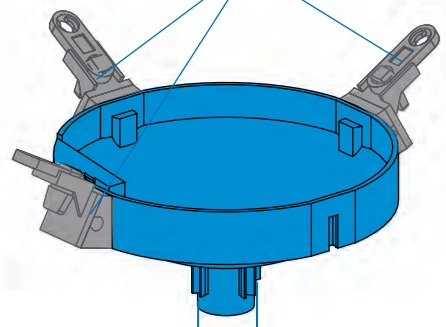
24



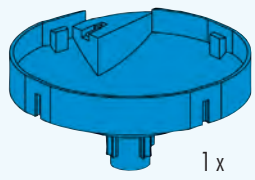
3x
30° 3x
15 3x
4 3x



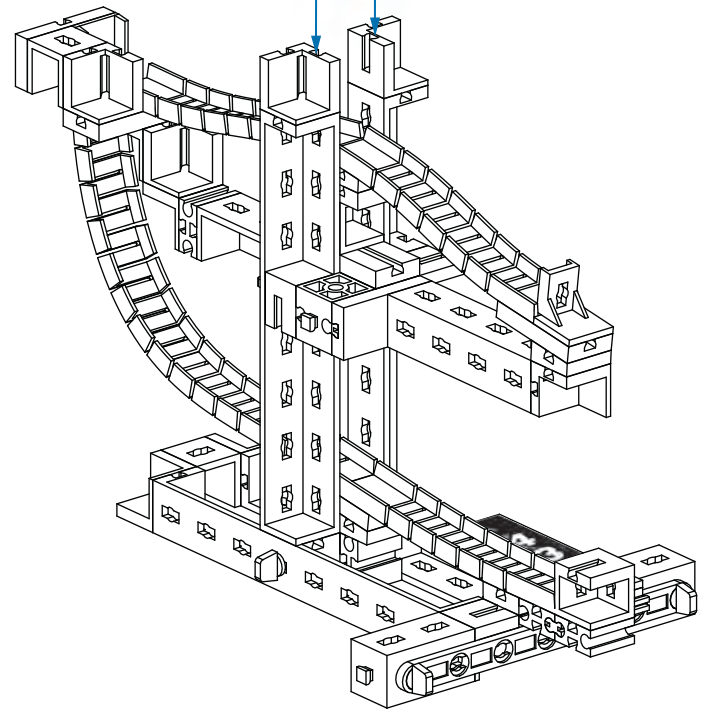
24



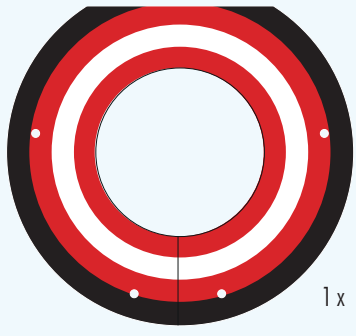
25



1x



26



1x



3x



3x



29



1x



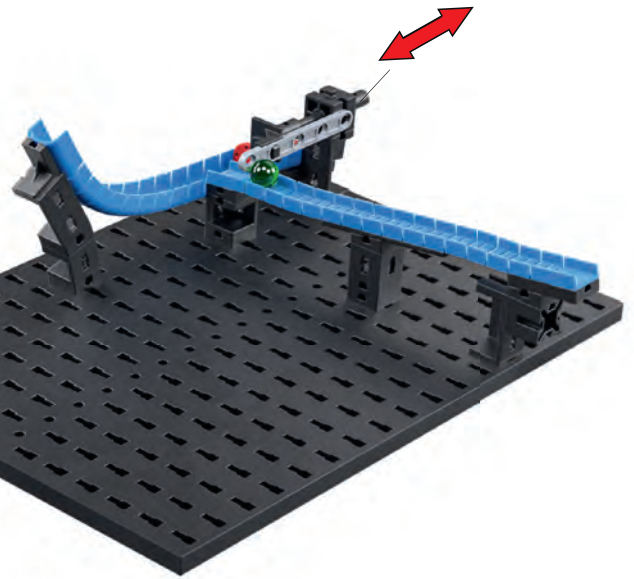
1x



1x



1x



Modell in Action! / Model in action! / Modèle en service! / Model in actie! / ¡El modelo en acción! / Modelo em ação! / Il modello in azione! / Модель в действии! / 模型制作演示! :

<http://www.fischertechnik.de/e-learning/marble-competition-booster>





Marble Competition
564 070

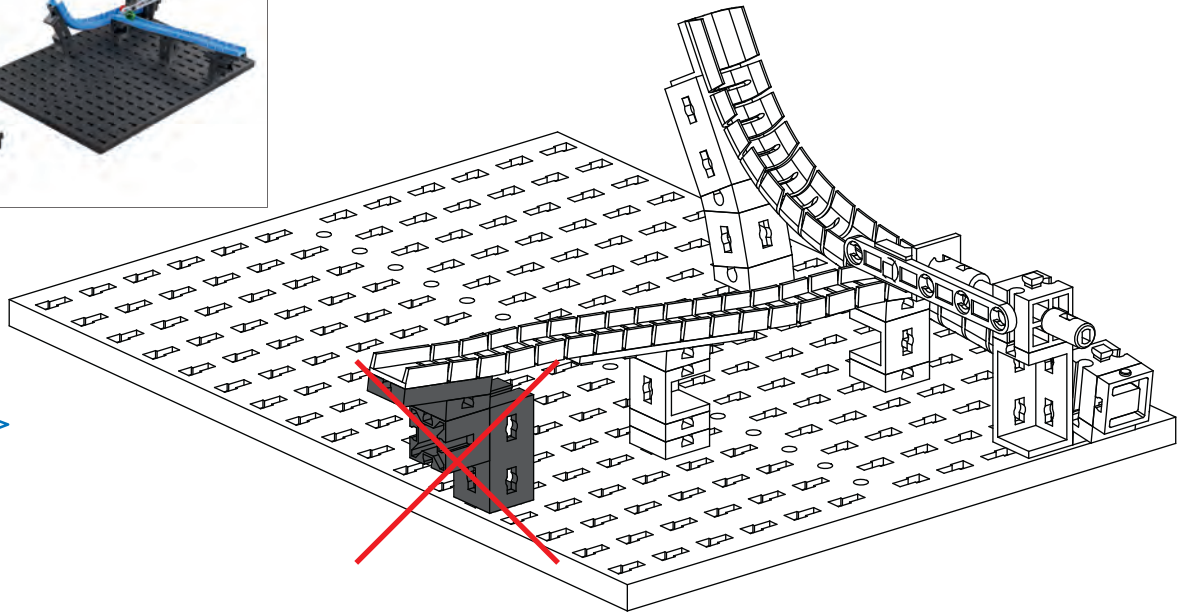
+



Marble Competition Booster
571 897



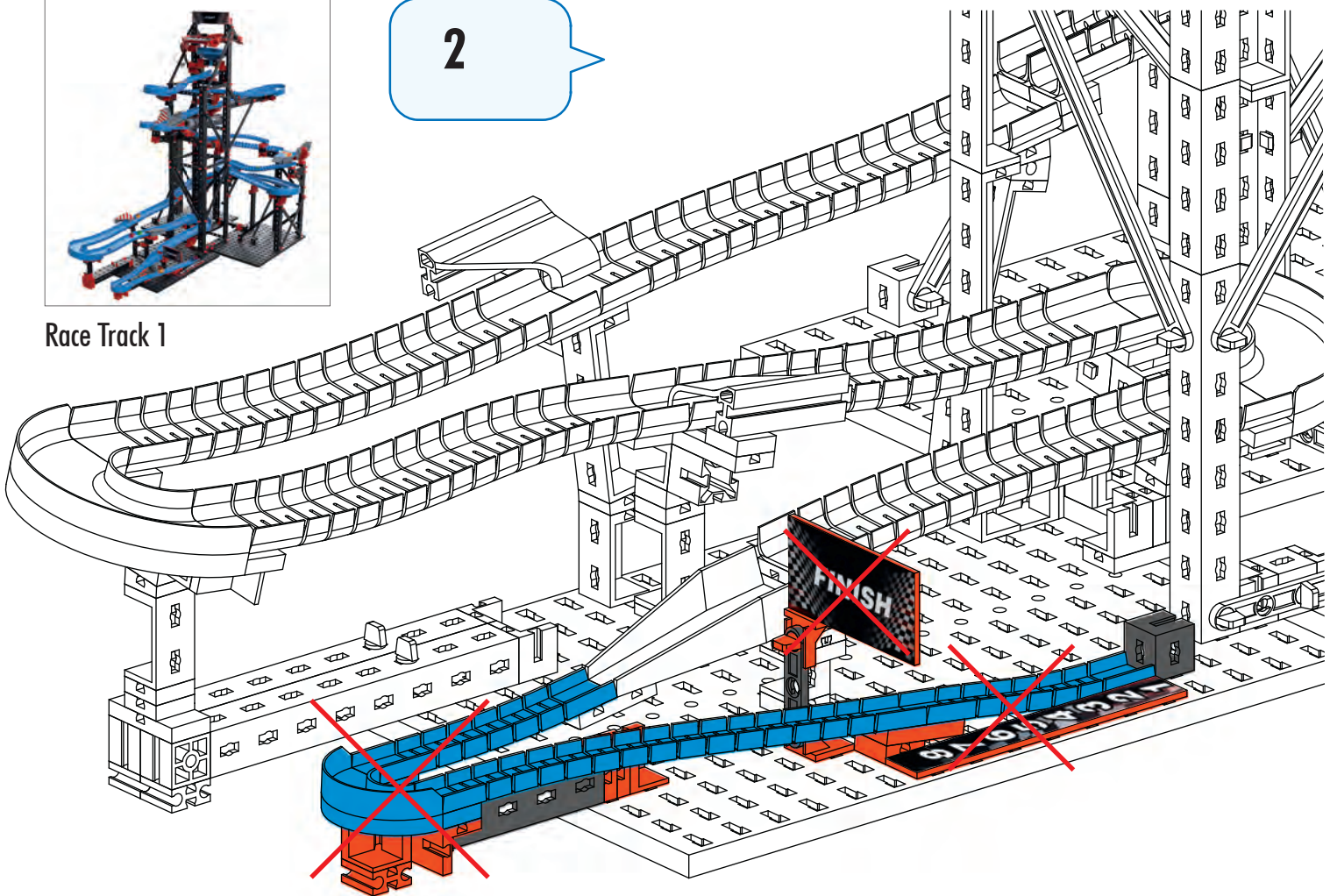
Booster 2

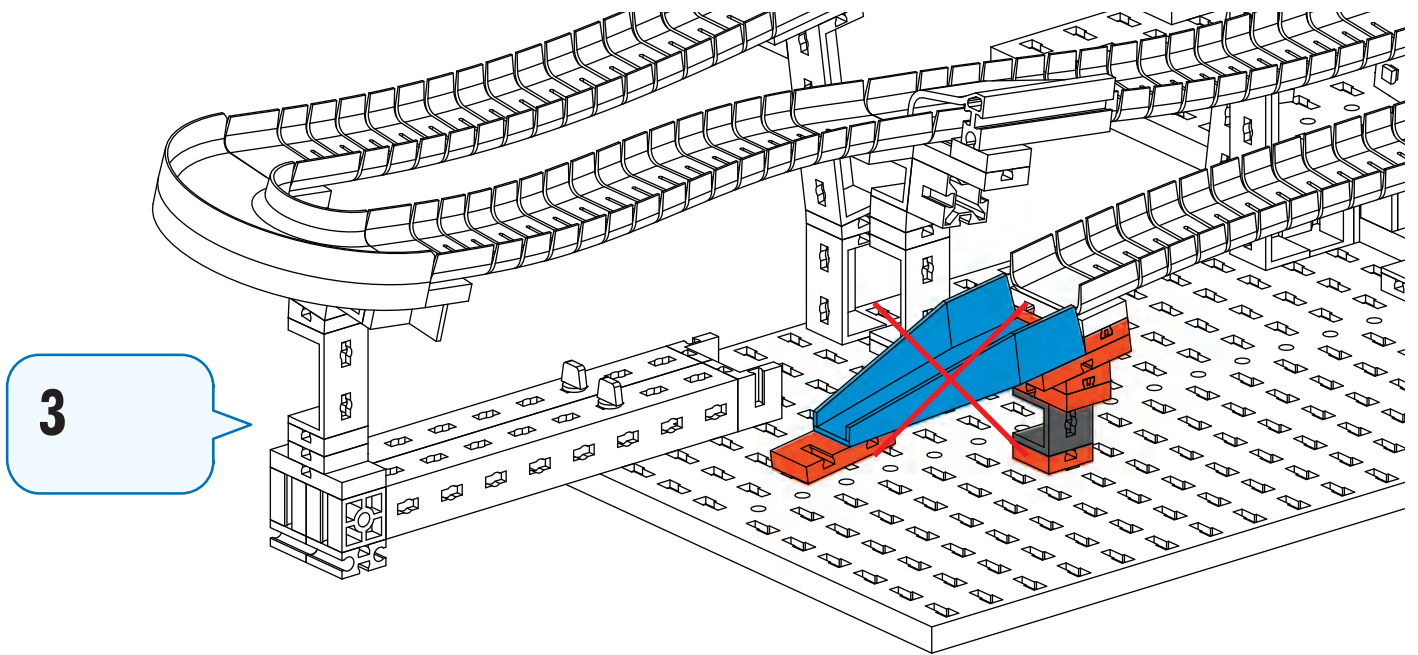


Farbige Bauteile ausbauen, werden beim weiteren Bauen benötigt / Removing colored components is required for further construction / Démontez les éléments colorés, ils seront nécessaires pour la suite de la construction / Verwijderen van gekleurde onderdelen is nodig voor verdere constructie / Para seguir construyendo es necesario retirar los componentes coloreados / A remoção de componentes coloridos é necessária para a construção posterior / La rimozione dei componenti colorati è necessaria per la costruzione successiva / Удаление цветных компонентов необходимо для дальнейшего строительства / 为进一步施工，需要拆除有色部件



Race Track 1





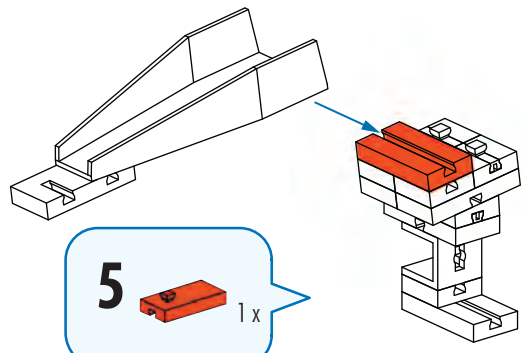
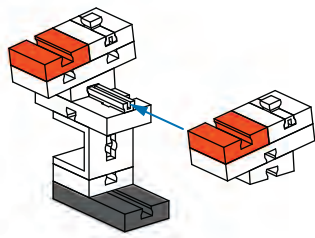


3


Farbige Baugruppe umbauen / Convert colored assembly / Transformer un assemblage en couleur / Gekleurde assemblage omzetten / Convertir montage de color / Converter montagem colorida / Convertire l'assemblaggio colorato / Преобразование цветной сборки / 转换彩色组件

4

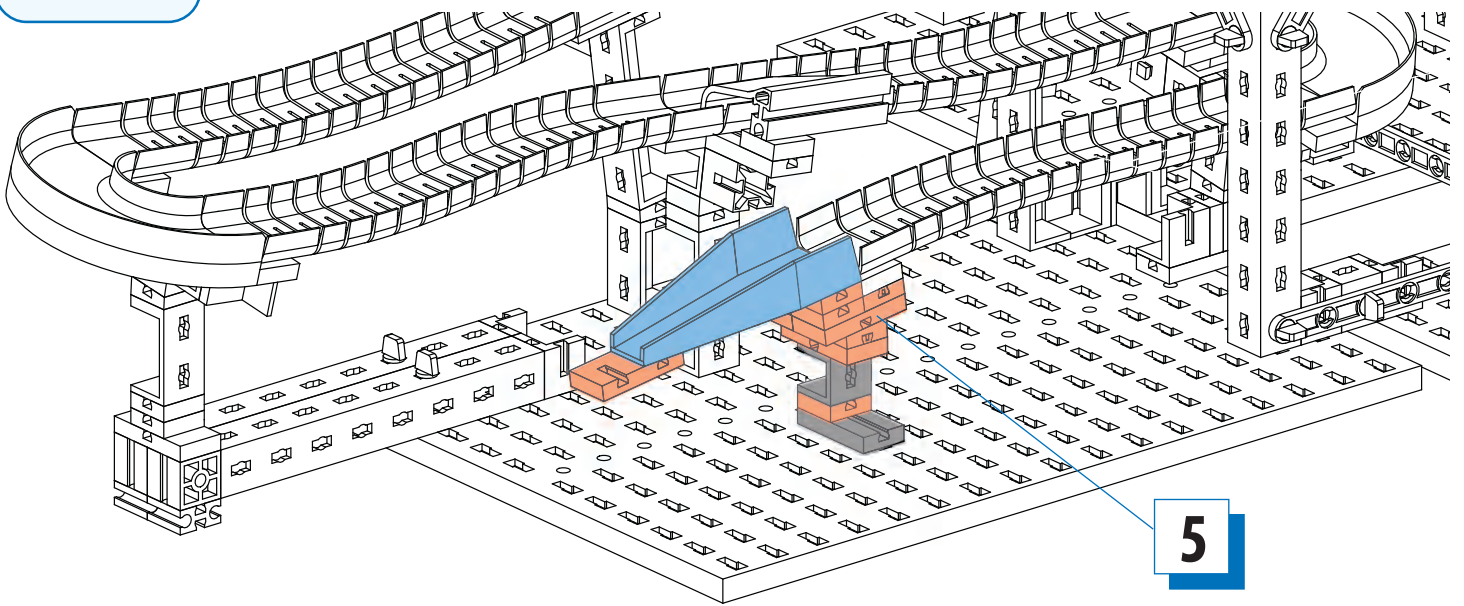
-  1x
-  2x



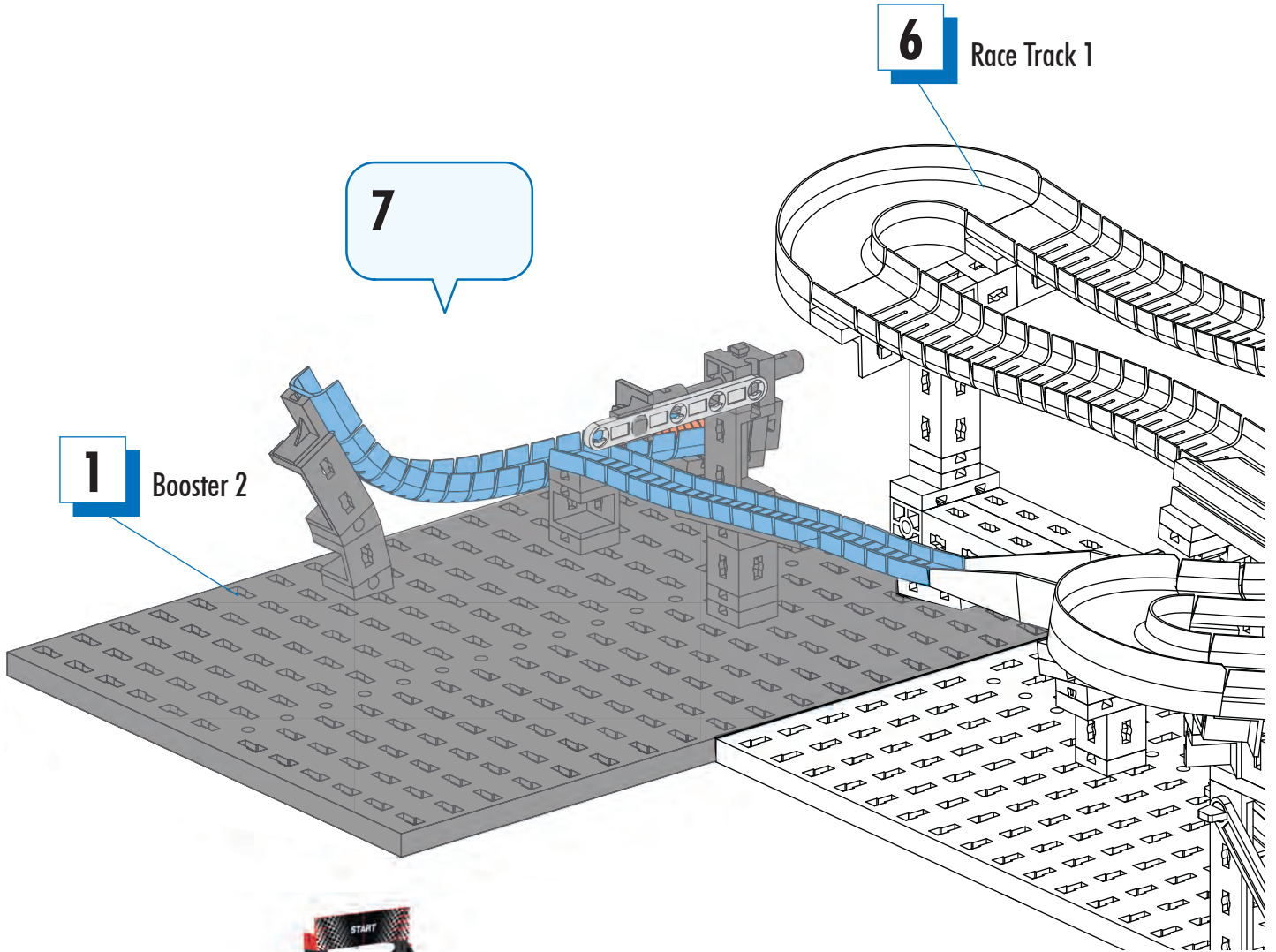
5

-  1x

6



5



Modell in Action! / Model in action! / Modèle en service! / Model in actie! / ¡El modelo en acción! / Modelo em ação! / Il modello in azione! / Модель в действии! / 模型制作演示! :

<http://www.fischertechnik.de/e-learning/marble-competition-booster>

