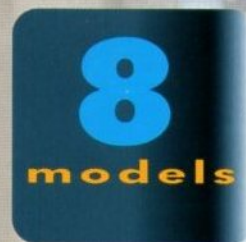


# PROFI Pneumatic II



**fischertechnik**<sup>®</sup>



**Inhalt**  
**Contents**  
**Contenu**

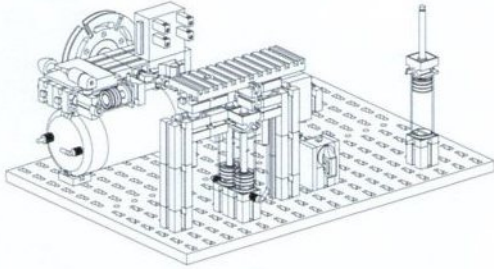
**Inhoud**  
**Contenido**  
**Conteúdo**

Einzelteilübersicht / Spare parts list / Liste des pièces détachées /  
Onderdelenoverzicht / Lista da peças / Resumo de peça individual

2

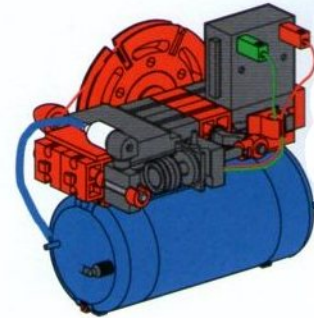
Montagehilfen und Hinweise / Assembly aids and instructions / Aides de montage et instructions /  
Montagehulpmiddelen en aanwijzingen / Ayudas de montaje e instrucciones / Montagens e indicações

3



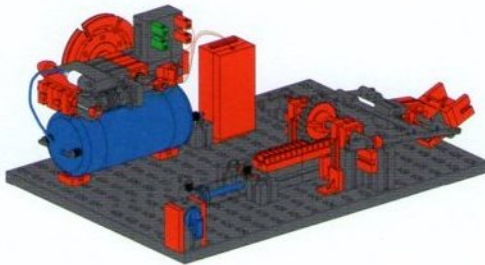
Hebebühne / Lifting platform /  
Plateforme élévatrice / Hefplatform /  
Plataforma de elevación / Dispositivo de elevação

5



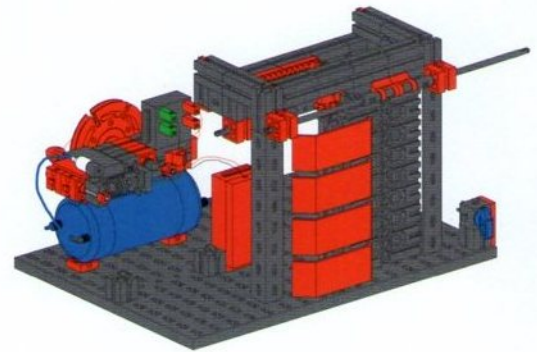
Kompressor / Compressor / Compresseur /  
Compressor / Compressor / Compressor

11



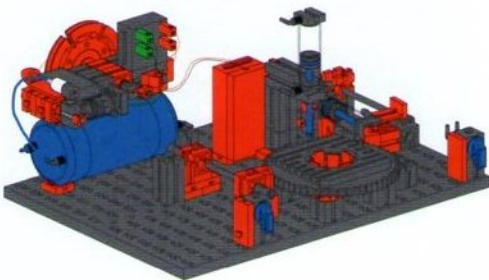
Katapult / Catapult / Catapulte /  
Katapult / Catapulta / Catapulta

13



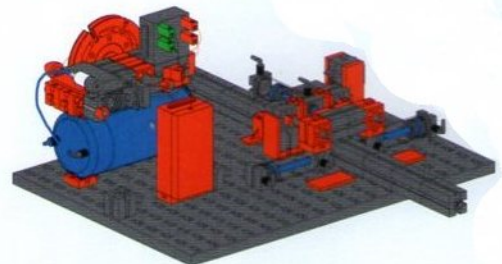
Schiebetür / Sliding door /  
Porte coulissante / Schuifdeur /  
Puerta corrediza / Porta de correr

17



Drehtisch mit Presse / Turntable with press /  
Plateau tournant avec presse / Draaitafel  
met pers / Mesa giratoria con prensa /  
Mesa giratória com prensa

23



Linear-Vorschub / Linear feed /  
Mécanisme d'avance linéaire /  
Lineaire voortbeweging /  
Avance lineal / Avanço linear

26

**Inhalt**  
**Contents**  
**Contenu**



Fahrgestell / Chassis / Châssis /  
Chassis / Chasis / Chassi 30

**Inhoud**  
**Contenido**  
**Conteúdo**



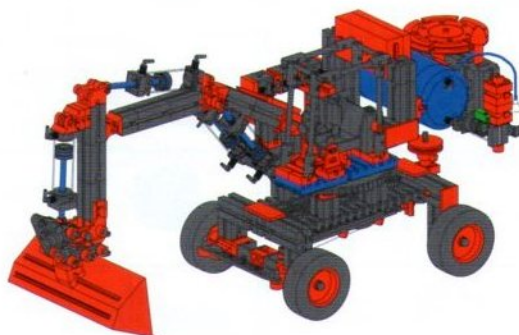
Rohrleger / Pipelayer / Pose de conduites /  
Buizenleginstallatie / Tendedor de tuberías /  
Assentador de tubos 35



Schneepflug / Snowplow /  
Chasse-neige / Sneeuwruimer /  
Quitanieves / Limpa-neve 40



Schaufellader / Shovel Loader /  
Pelleteuse / Graafmachine /  
Cargadora de pala / Pá-carregadora 44



Bagger / Excavator / Excavateur /  
Bagger / Excavadora / Escavadora 49























**Einzelteilübersicht**  
**Spare parts list**  
**Liste des pièces détachées**

**Onderdelenoverzicht**  
**Lista da piezas**  
**Resumo de peça individual**

	19318 2x		31592 4x		32064 11x		32985 1x		36210 2x
	31010 2x		31597 5x		32071 6x		35031 2x		36227 12x
	31011 4x		31614 1x		32085 2x		35049 12x		36293 2x
	31019 1x		31642 4x		32233 1x		35050 4x		36323 5x
	31021 1x		31671 2x		32263 1x		35064 2x		36443 1x
	31032 1x		31690 1x		32293 1x		35065 5x		36702 1x
	31053 2x		31708 3x		32316 4x		35066 2x		36708 1x
	31058 2x		31766 1x		32321 2x		35067 1x		36819 4x
	31060 10x		31843 2x		32330 2x		35068 2x		36912 6x
	31061 7x		31888 2x		32860 1x		35073 10x		36913 1x
	31336 4x		31894 1x		32870 4x		35087 3x		36914 2x
	31337 4x		31912 1x		32879 20x		35129 1x		36915 13x
	31390 1x		31915 1x		32881 20x		35414 1x		36922 4x
	31391 1x		31916 1x		32882 6x		35969 1x		36925 1x
	31422 5x		31982 14x		32883 4x		35980 2x		36934 3x
	31426 6x		31983 5x		32913 4x		35998 2x		36937 1x
	31436 9x		31994 2x		32958 1x		36190 1x		36938 4x

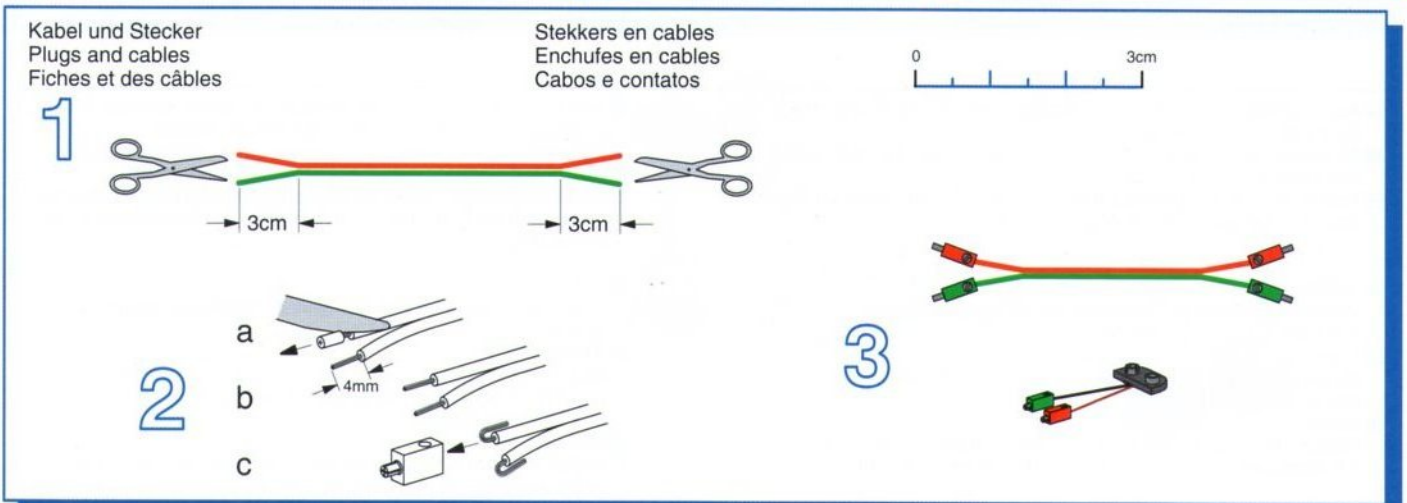
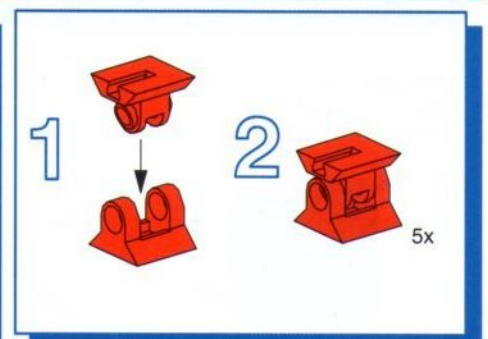
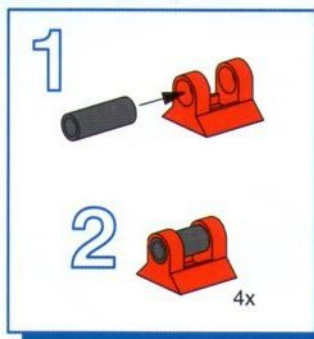
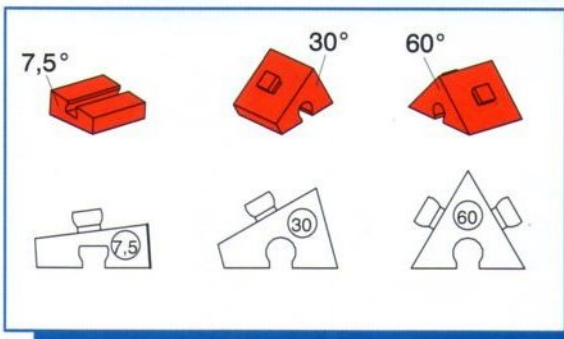
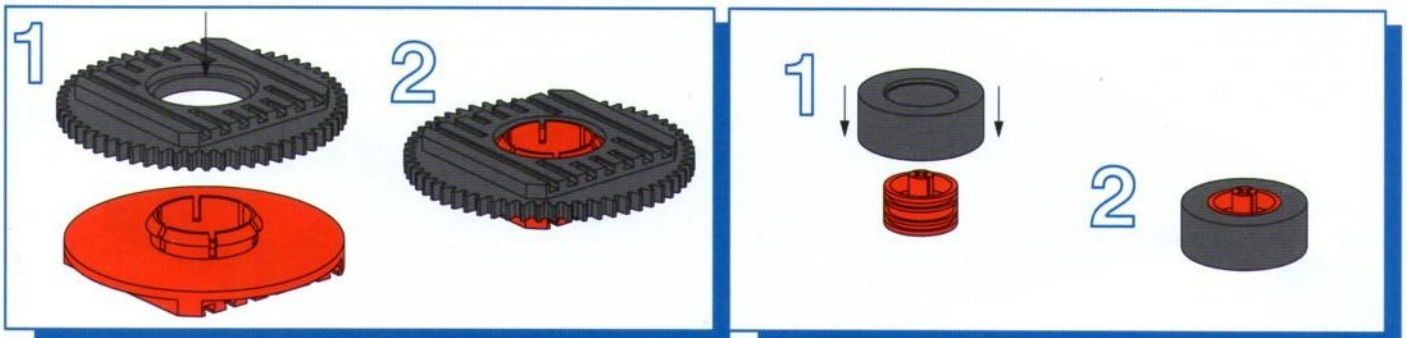
**Einzelteilübersicht**  
**Spare parts list**  
**Liste des pièces détachées**

**Onderdelenoverzicht**  
**Lista da piezas**  
**Resumo de peça individual**

	36949 1x		37003 1x		37679 18x		38253 2x		38543 1x
	36950 3x		37237 16x		37681 1x		38414 5x		38546 1x
	36952 4x		37238 4x		38240 4x		38415 3x		
	36970 1x		37468 2x		38241 7x		38423 8x		
	36981 1x		37636 1x		38246 2x		38428 5x		

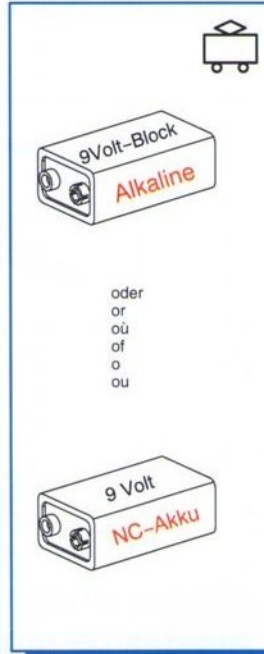
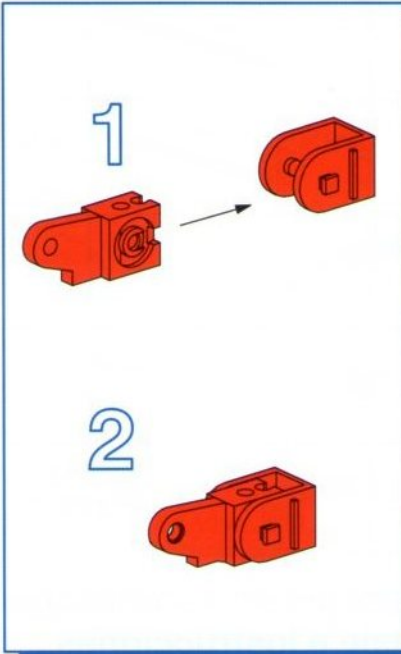
**Montagehilfen und Hinweise**  
**Assembly aids and instructions**  
**Aides de montage et instructions**

**Montagehulpmiddelen en aanwijzingen**  
**Ayudas de montaje e instrucciones**  
**Montagens e indicações**



**Montagehilfen und Hinweise**  
**Assembly aids and instructions**  
**Aides de montage et instructions**

**Montagehulpmiddelen en aanwijzingen**  
**Ayudas de montaje e instrucciones**  
**Montagens e indicações**



**1 Batterie 9Volt-Block Alkaline oder 1 NC-Akku 9V**

- Leere Akkus zum Laden entnehmen.
- Verbrauchte Batterien dem Sondermüll zuführen.

**9V rechargeable battery or 9 V alkaline dry cell**

- Remove discharged battery and place in charger for recharging.
- Discard spent dry cells at special waste disposal centre.

**pile 9V ou accu 9V**

- Pour recharger les accus vides, il faut les sortir et les placer dans le chargeur.
- Jeter les piles usagées dans un conteneur spécial réservé à cet effet.

**alkaline batterije of oplaadbare batterije (9Volt)**

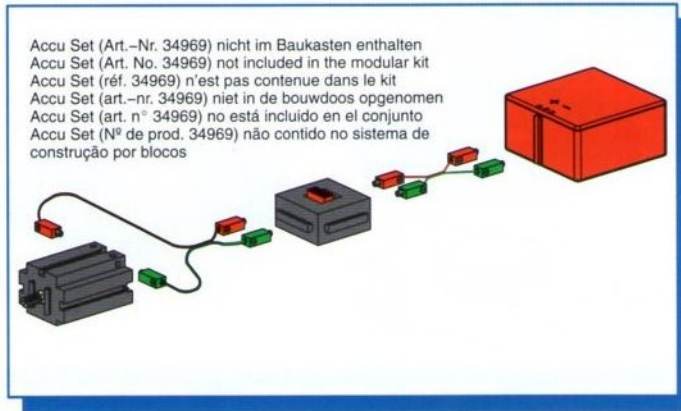
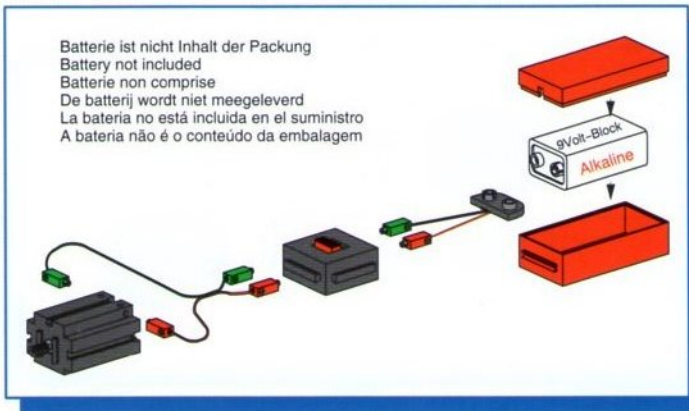
- Voor het opladen van batterijen de lege batterijen uit nemen en met behulp van het oplaadapparaat opladen.
- Afleveren gebruikte batterijen bij het klein chemisch afval (KCA).

**pila alcalina bloque de 9 Voltios o acumulador NC de 9 Voltios**

- Retirar el acumulador descargado y colocarlo en el cargador
- Retirar las baterias viejas, desechándolas en un depósito de basuras especiales.

**Bateria alcalina de bloco de 9 V ou acumulador NC de 9 V**

- Remover os acumuladores vazios para os carregar
- Eliminar as baterias esgotadas como desperdício perigoso



Schlauchzuschnitte  
 Hose cut to length  
 Découpes de tuyau

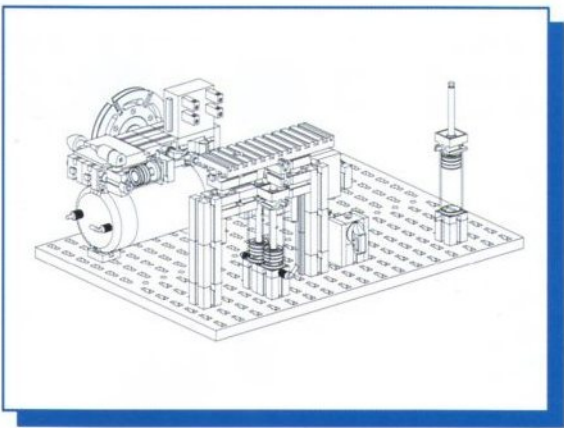
Slangdelen  
 Recortes de tubos flexibles  
 Recortes de mangueira

- 3 x 2 cm
- 4 x 3 cm
- 1 x 5 cm
- 1 x 6 cm
- 3 x 8 cm
- 1 x 10 cm
- 3 x 12 cm
- 3 x 15 cm
- 1 x 18 cm
- 1 x 20 cm
- 1 x 22 cm
- 1 x 27 cm
- 1 x 30 cm



- Alle Einzelteile, insbesondere bewegliche Teile sind falls notwendig zu warten und zu reinigen.
- All components, especially moving parts, should be maintained and cleaned as necessary.
- Toutes les pièces détachées et en particulier les pièces mobiles, sont, si nécessaire, à entretenir et à nettoyer.
- Achtung  
Verletzungsgefahr an Bauteilen mit funktionsbedingten scharfen Kanten und Spitzen!
- Caution  
Be careful not to hurt yourself on components with sharp or pointed edges!
- Attention  
Risque de blessure sur les éléments comportant des arêtes et o pointes vives indispensables au bon fonctionnement!

- Alle onderdelen, vooral de bewegende delen, kunnen, indien noodzakelijk, onderhouden en gereinigd worden.
- Es necesario limpiar y mantener en buen estado todas las diferentes piezas – especialmente las piezas móviles.
- Caso necessário, todas as peças individuais, especialmente peças móveis, tem que ser submetidas à manutenção e ser limpadas.
- Let op  
U kunt zich bezeren aan bouwstenen met scherpe randen of punten!
- Attenzione  
Esiste il pericolo di lesione con i pezzi di costruzione che hanno bordi e punte spigolosi necessari per la funzionalità del pezzo!
- Atenção  
Perigo de ferimentos em peças componentes com cantos vivos e pontas obrigatórios para o funcionamento !

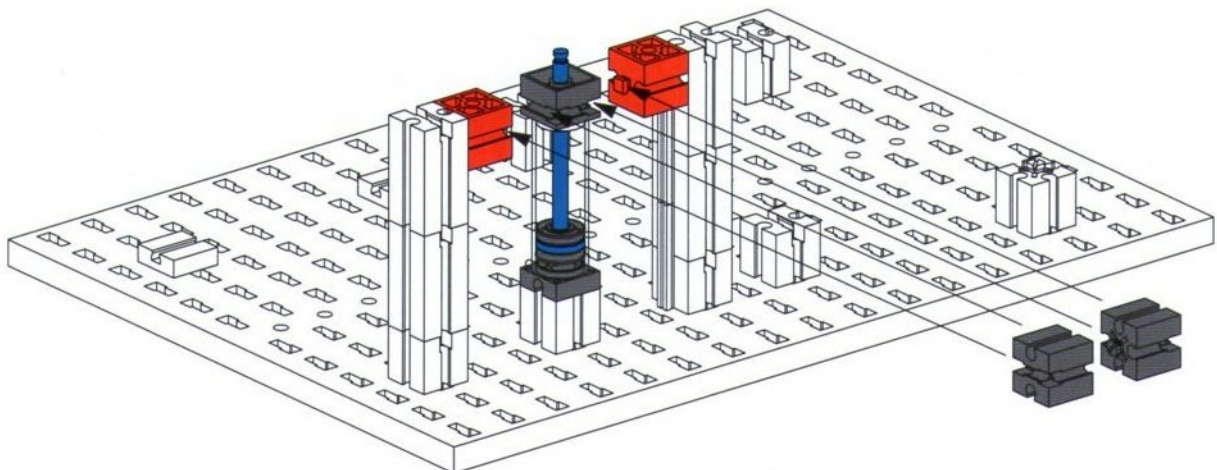
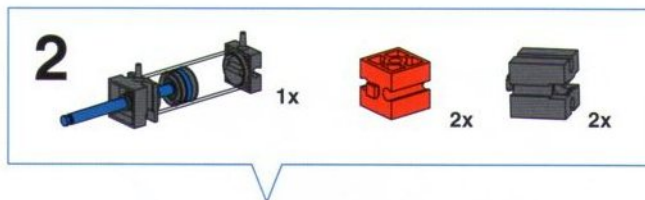
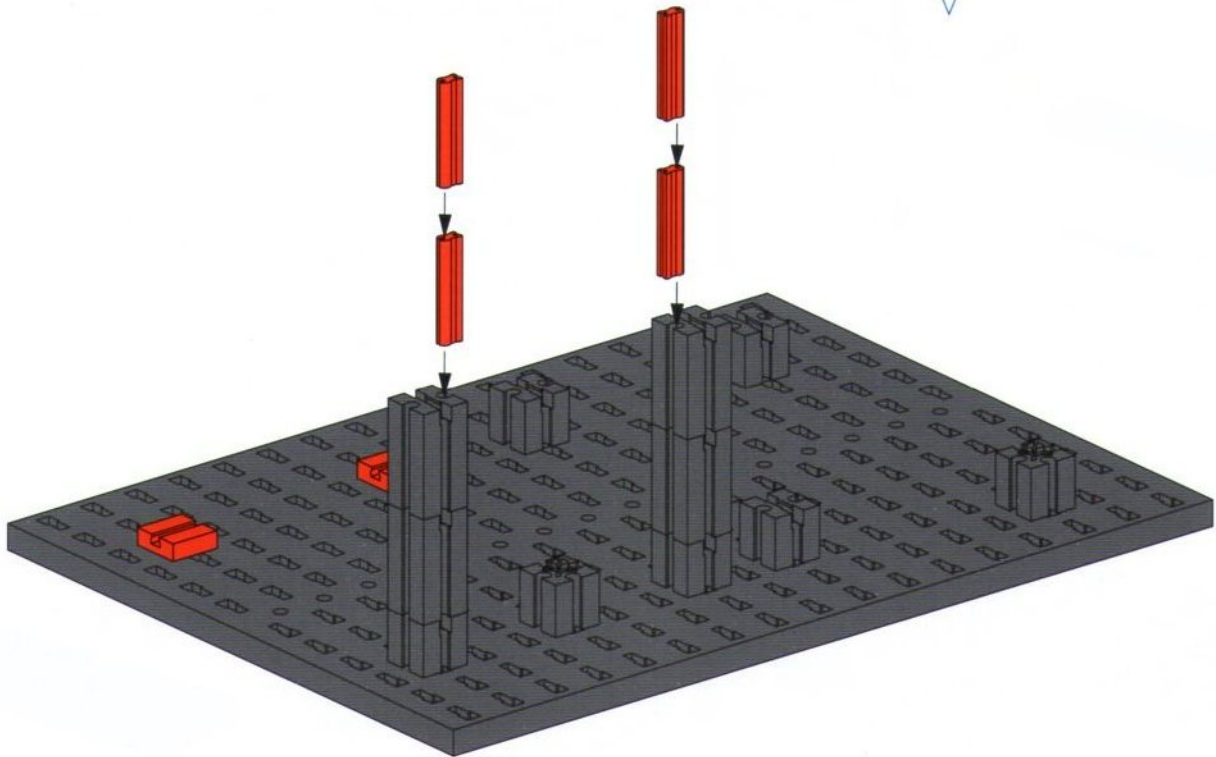
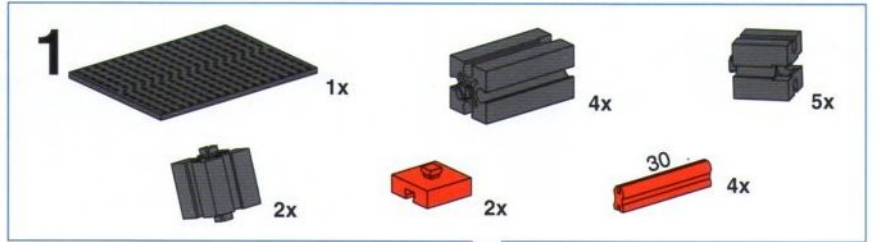


**Hebebühne**  
**Lifting platform**  
**Plateforme élévatrice**

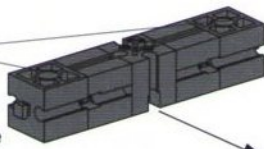
**Hefplatform**  
**Plataforma de elevación**  
**Dispositivo de elevação**

Versuch 1  
 Experiment 1  
 Essai 1

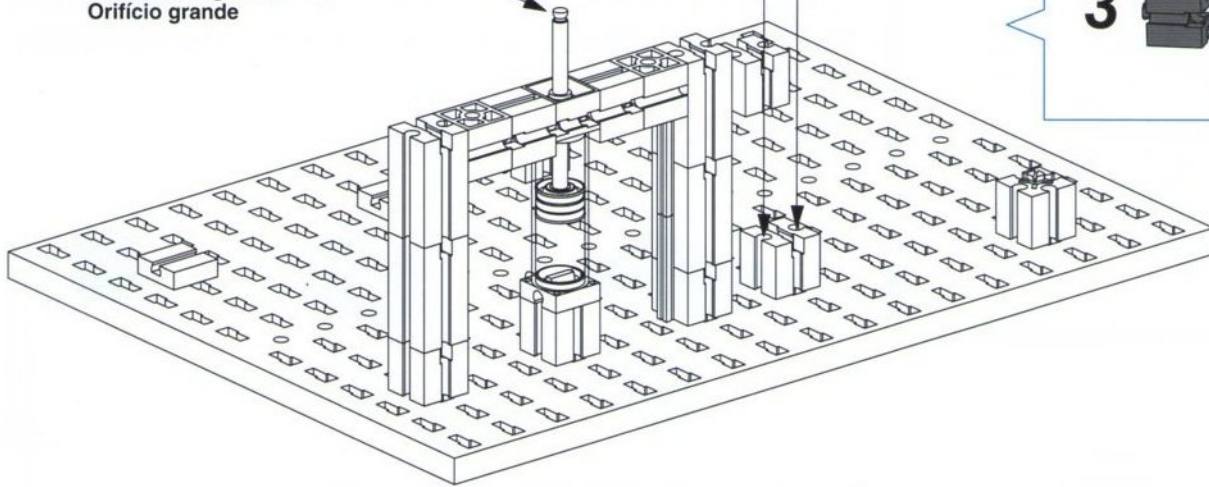
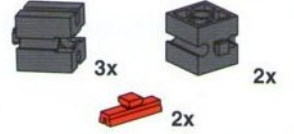
Opgave 1  
 Ensayo 1  
 Experiência 1



Große Bohrung  
 Large drilling  
 Alésage large  
 Grote boring  
 Perforación grande  
 Orificio grande



3

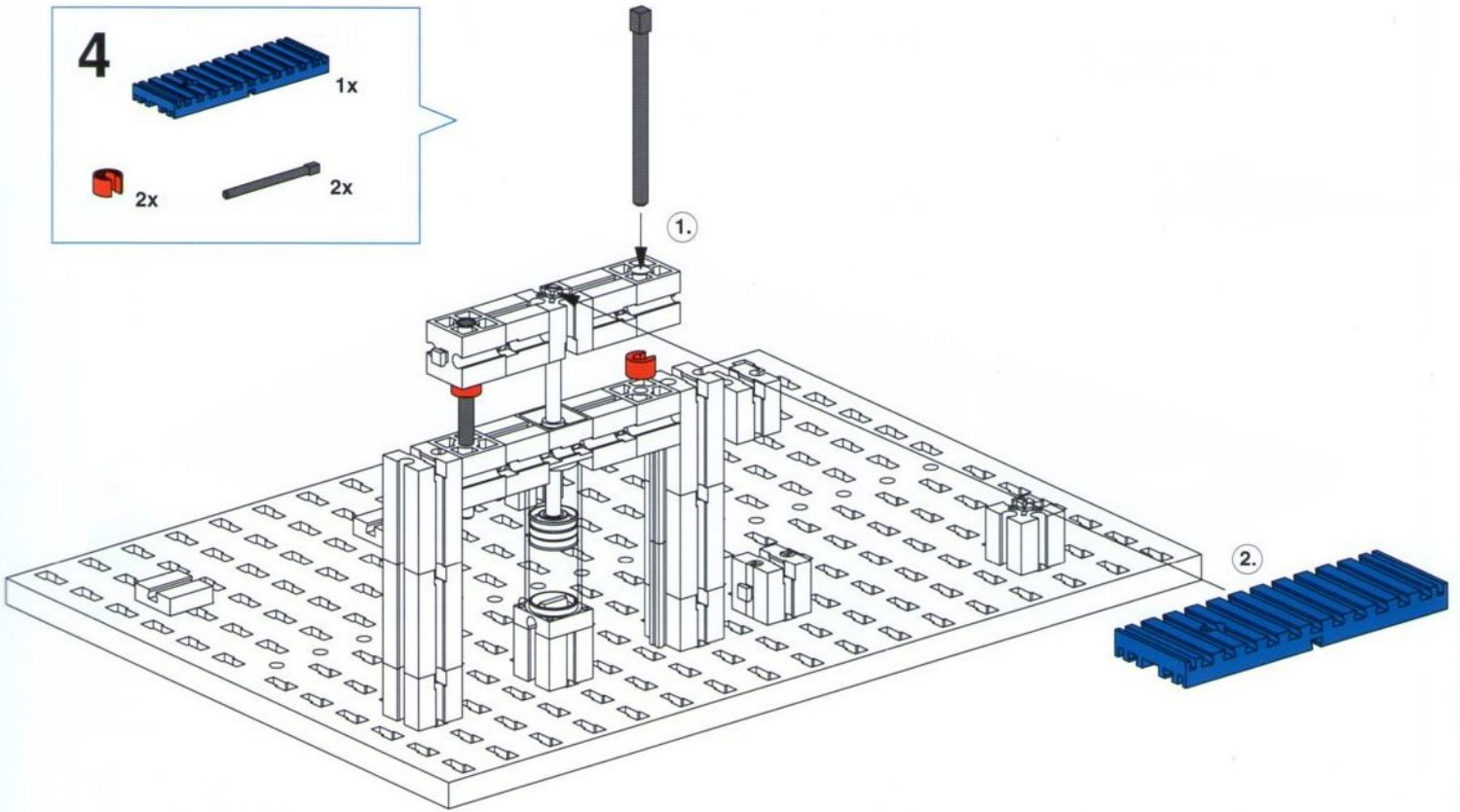


4

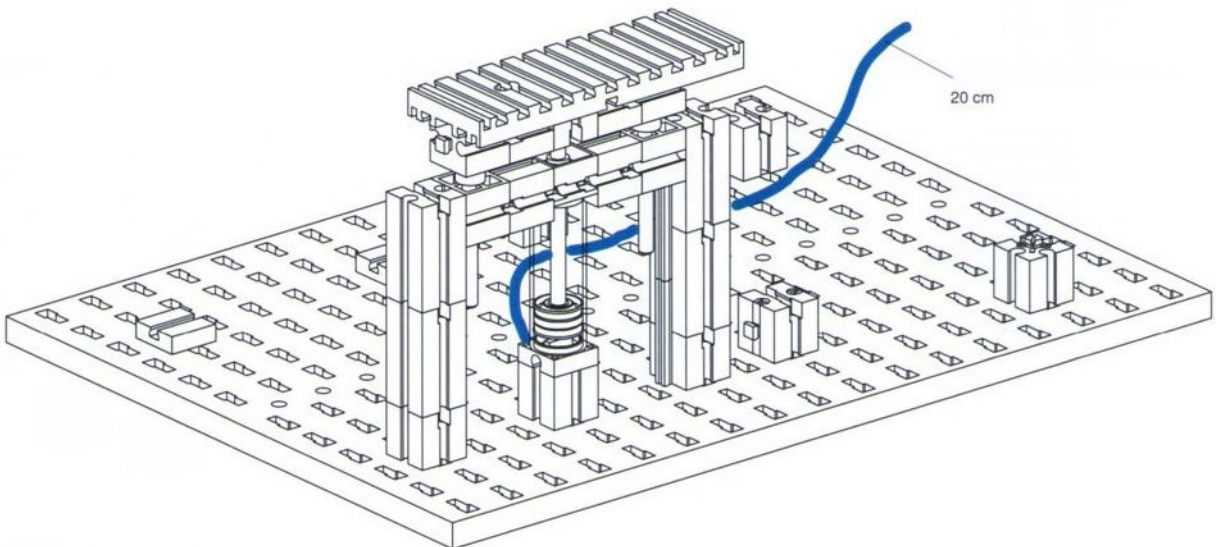


1.

2.



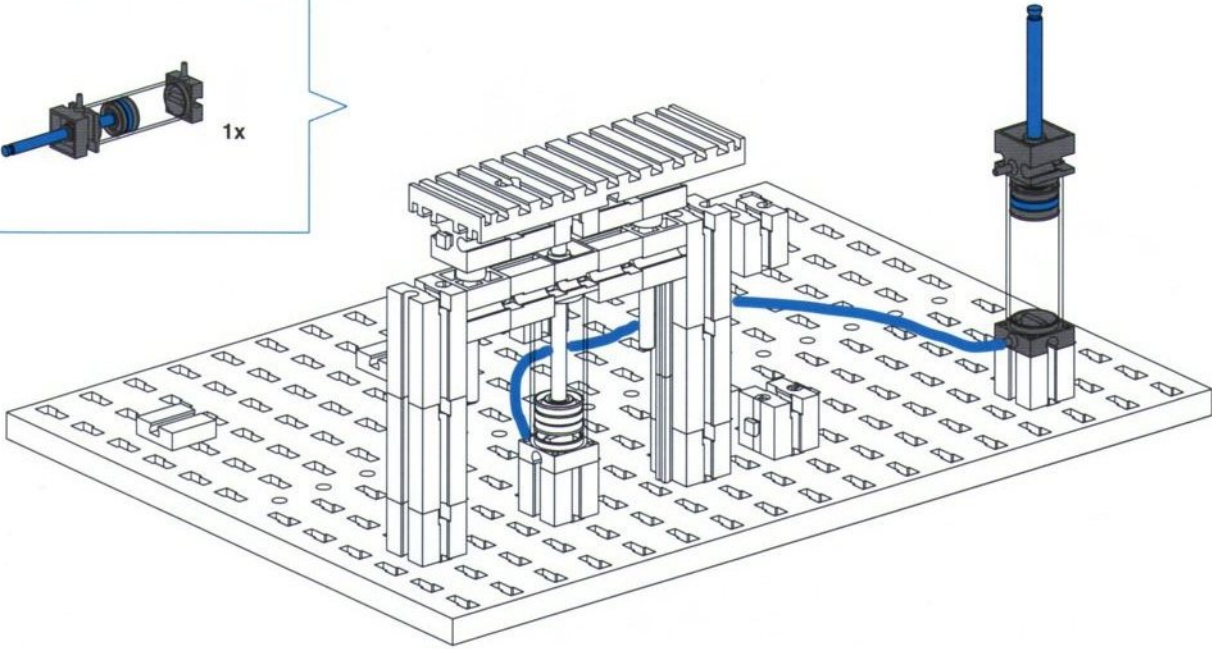
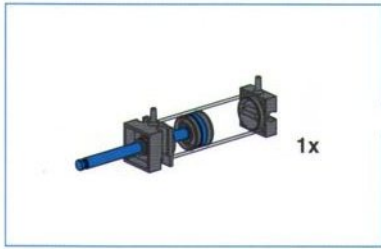
20 cm





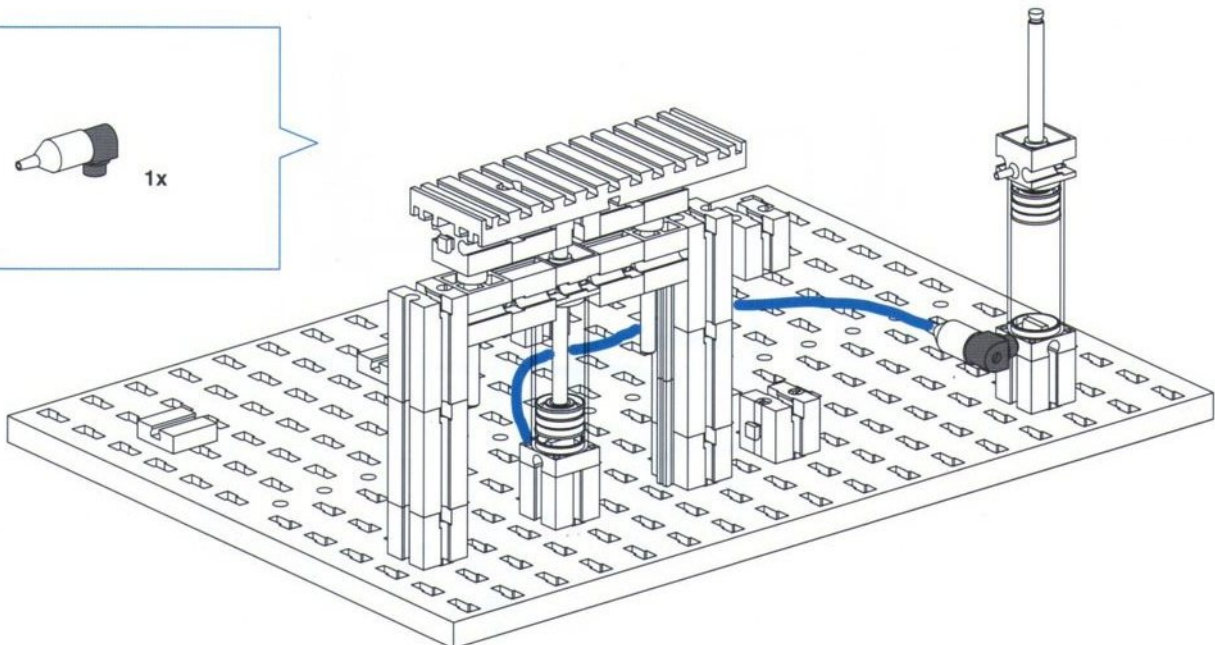
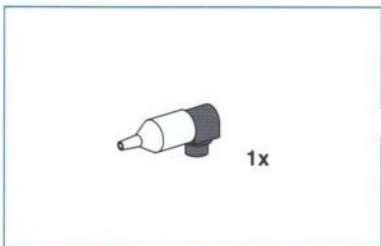
Versuch 2  
Experiment 2  
Essai 2

Opgave 2  
Ensayo 2  
Experiência 2



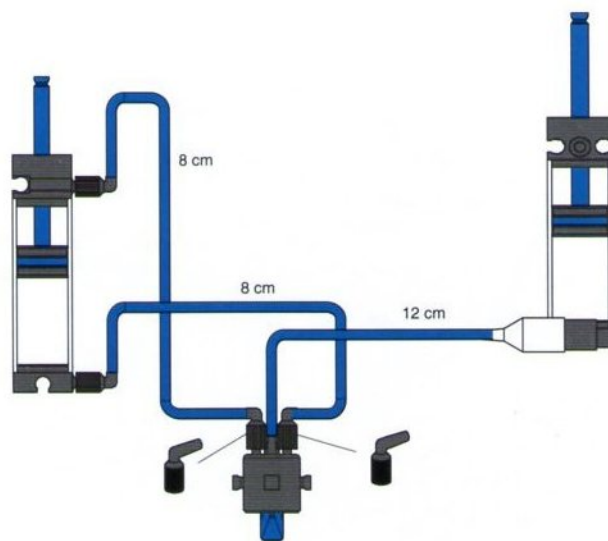
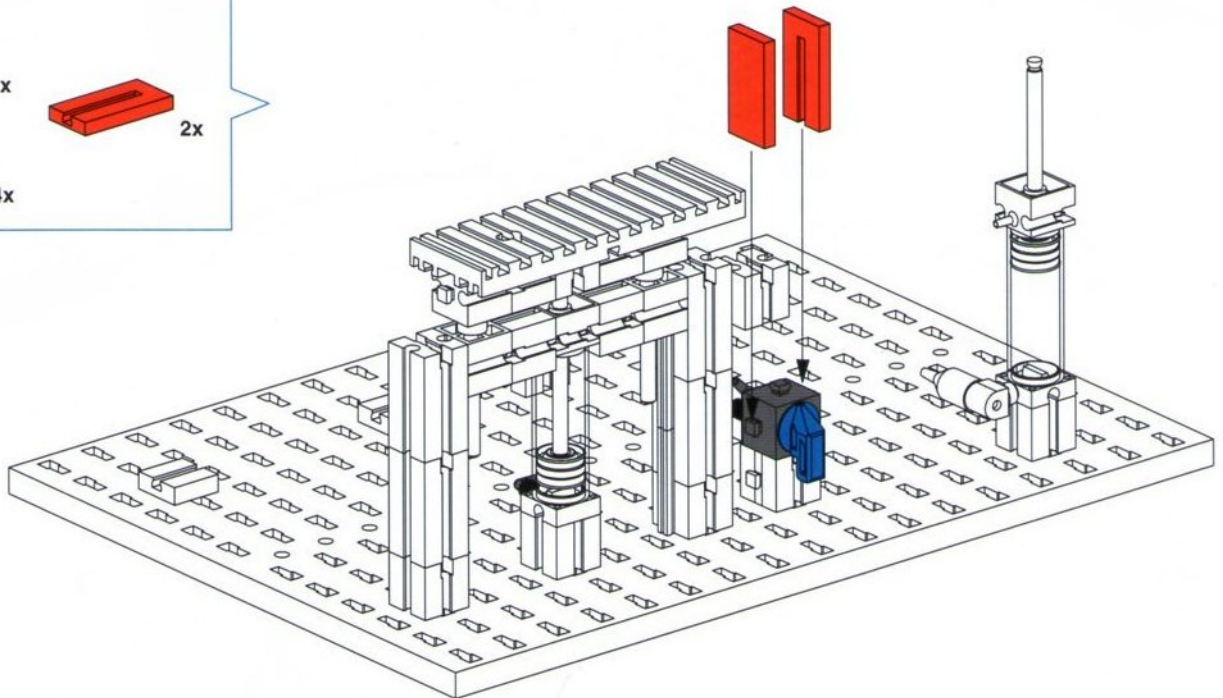
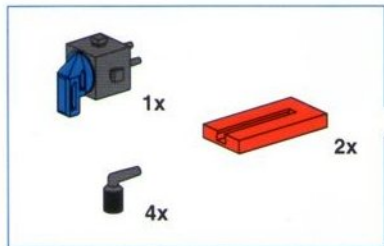
Versuch 3  
Experiment 3  
Essai 3

Opgave 3  
Ensayo 3  
Experiência 3



Versuch 4  
Experiment 4  
Essai 4

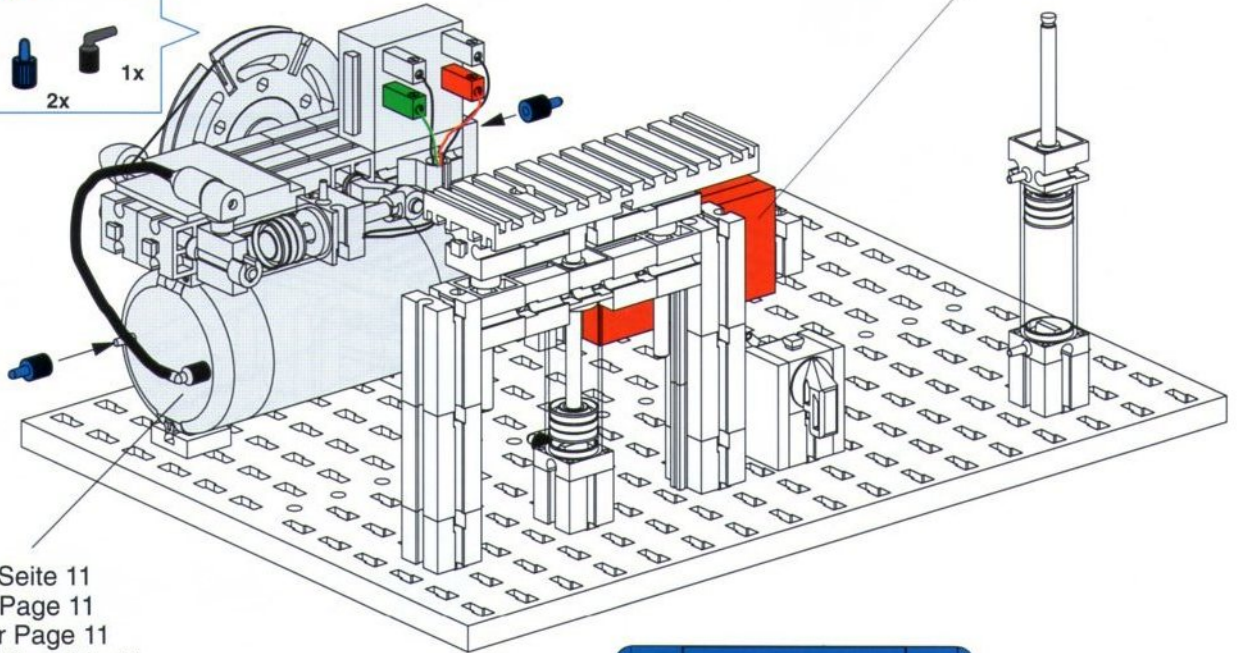
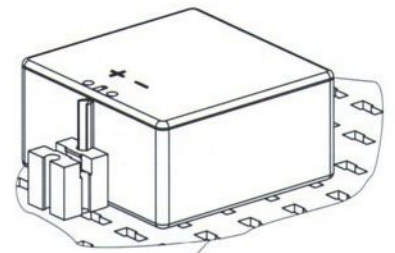
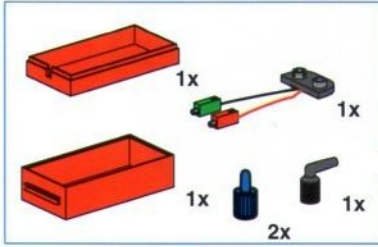
Opgave 4  
Ensayo 4  
Experiência 4



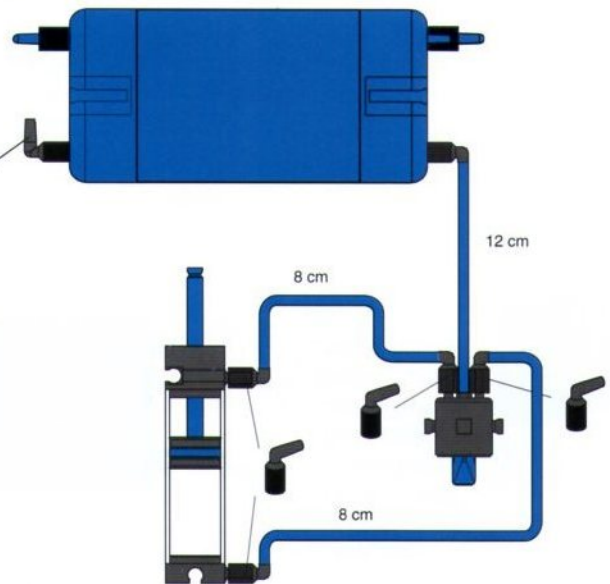
**Versuch 5**  
**Experiment 5**  
**Essai 5**

**Opgave 5**  
**Ensayo 5**  
**Experiência 5**

- Accu Set (Art.-Nr. 34969) nicht im Baukasten enthalten
- Accu Set (Art. No. 34969) not included in the modular kit
- Accu Set (réf. 34969) n'est pas contenue dans le kit
- Accu Set (art.-nr. 34969) niet in de bouwdoos opgenomen
- Accu Set (art. n° 34969) no está incluido en el conjunto
- Accu Set (Nº de prod. 34969) não contido no sistema de construção por blocos



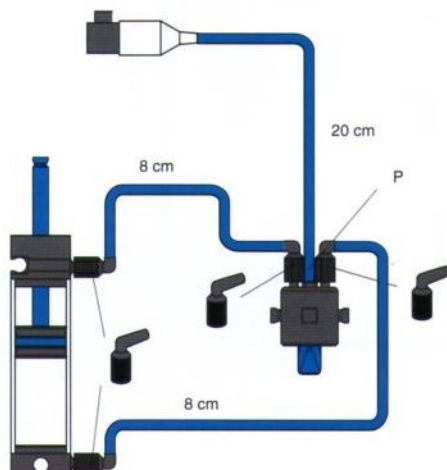
Kompressor Seite 11  
 Compressor Page 11  
 Compresseur Page 11  
 Compressor Bladzijde 11  
 Compresor Página 11  
 Compressor Página 11



Kompressor  
 Compressor  
 Compresseur  
 Compressor  
 Compresor  
 Compressor

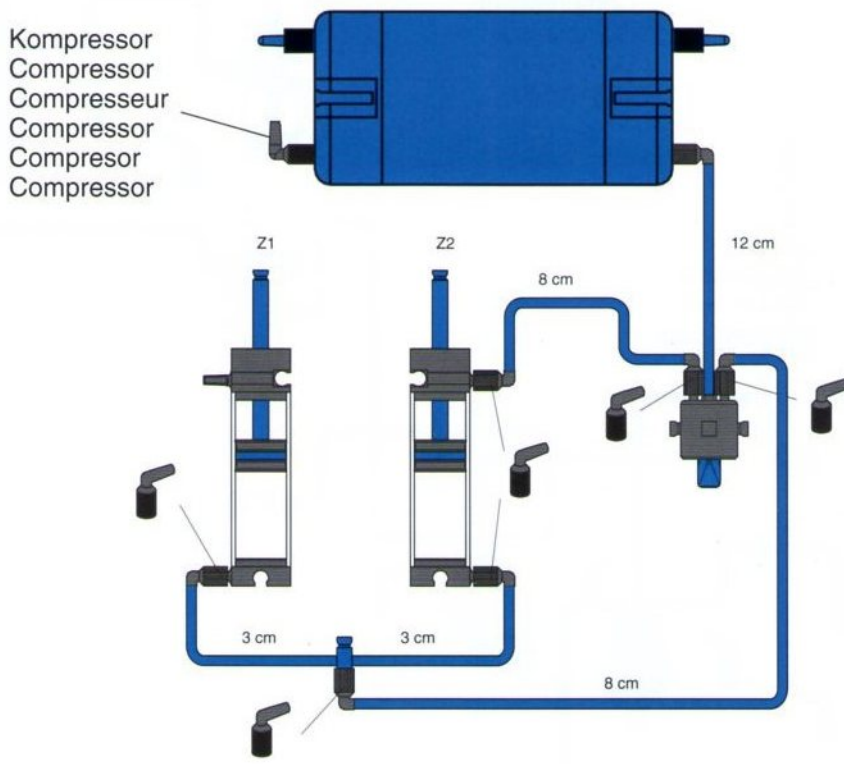
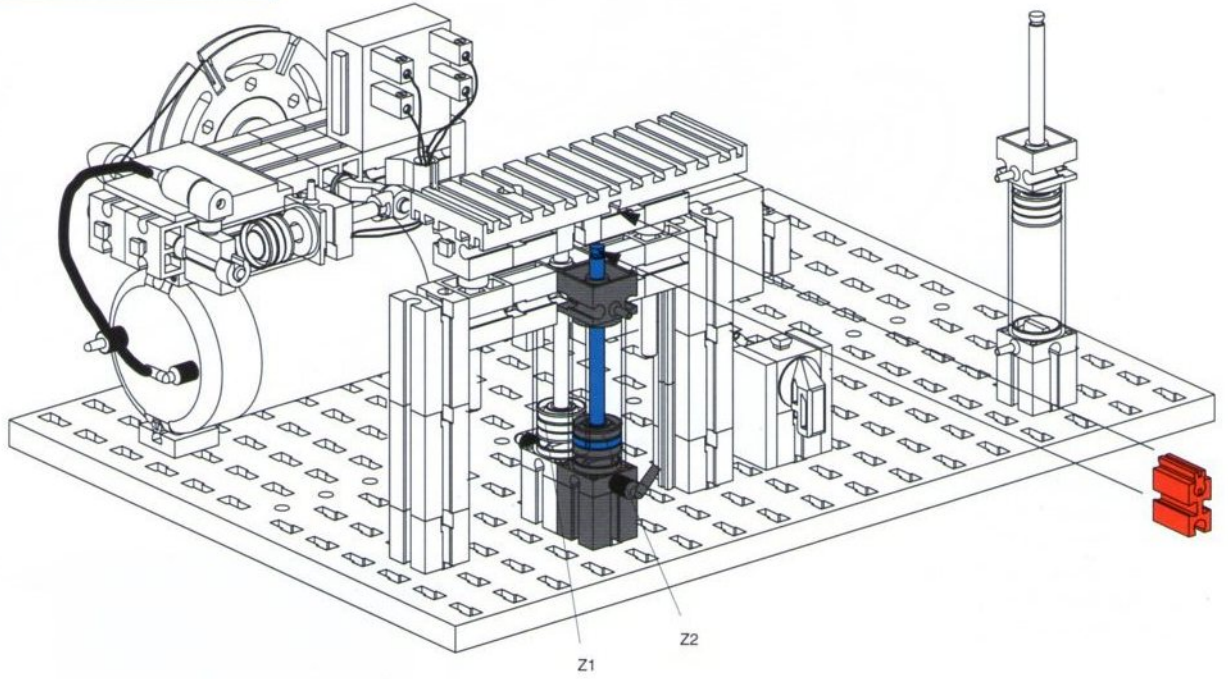
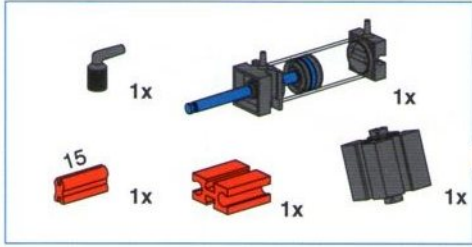
**Versuch 6**  
**Experiment 6**  
**Essai 6**

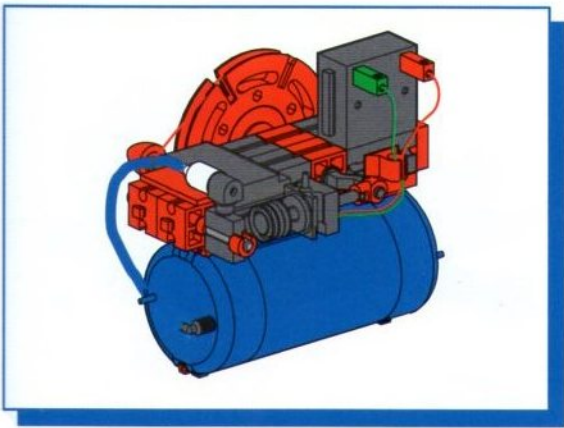
**Opgave 6**  
**Ensayo 6**  
**Experiência 6**



Versuch 7  
 Experiment 7  
 Essai 7

Opgave 7  
 Ensayo 7  
 Experiência 7

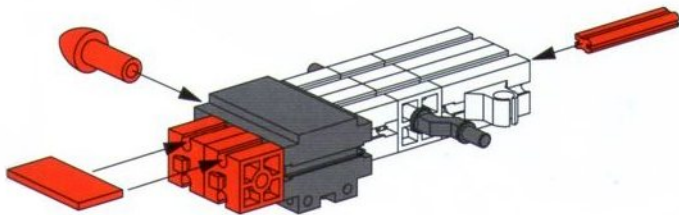
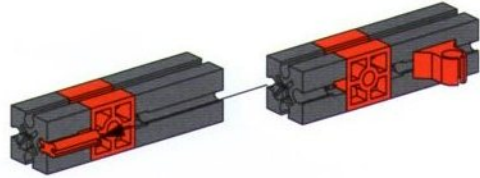




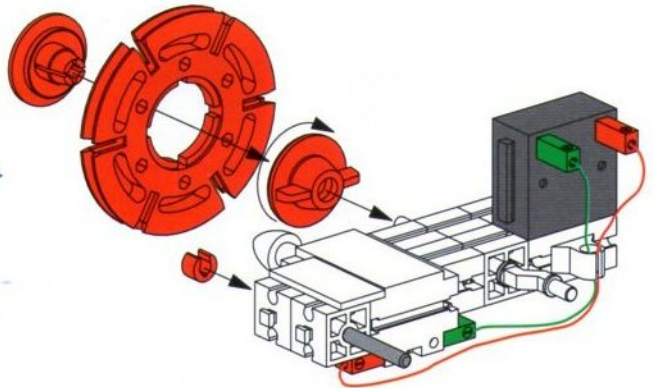
Kompressor  
Compressor  
Compresseur

Compressor  
Compressor  
Compresseur

- 1**
- 2x [Grey Technic Beam 1x3]
  - 2x [Grey Technic Pin]
  - 2x [Red Technic Connector]
  - 1x [Red Technic Pin 15]
  - 1x [Red Technic Pin]

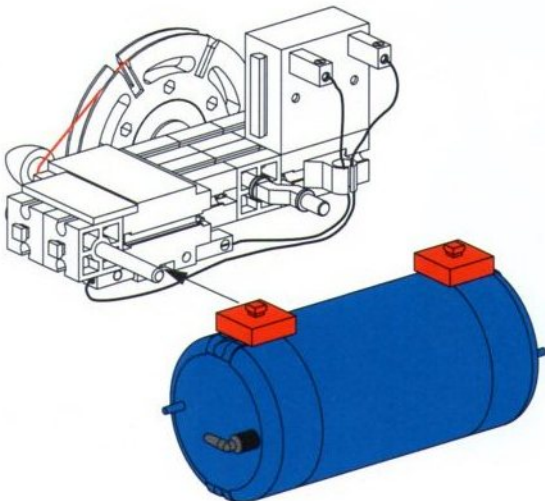


- 2**
- 1x [Grey Technic Beam 1x3]
  - 2x [Red Technic Connector]
  - 1x [Red Technic Pin]
  - 1x [Grey Technic Pin]
  - 1x [Red Technic Pin 30]
  - 1x [Red Technic Plate 1x3]

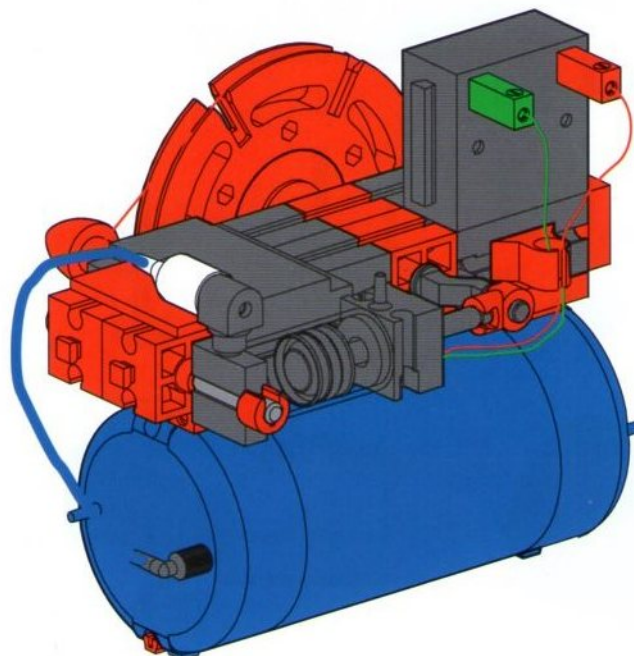
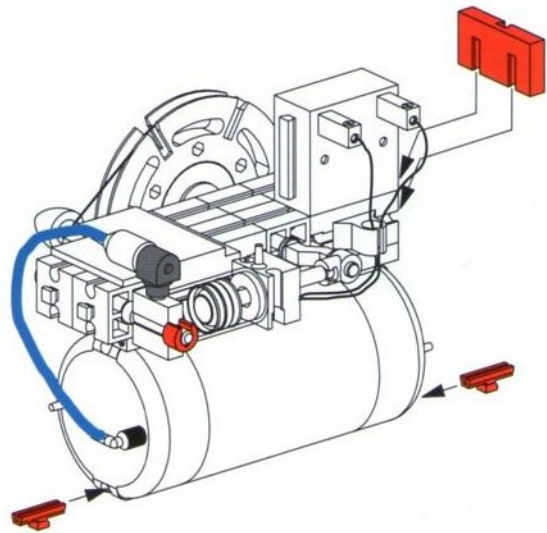
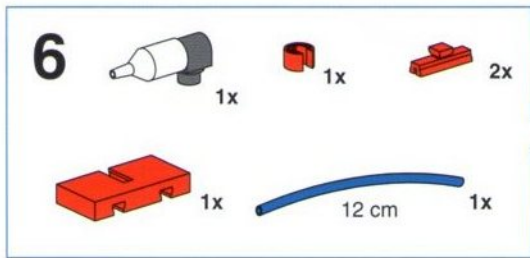
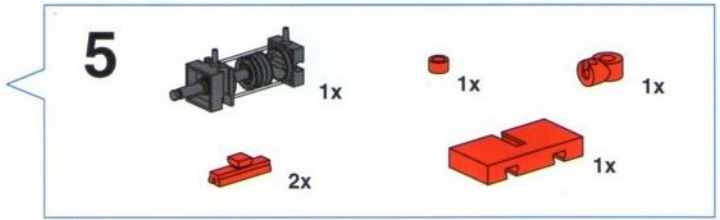
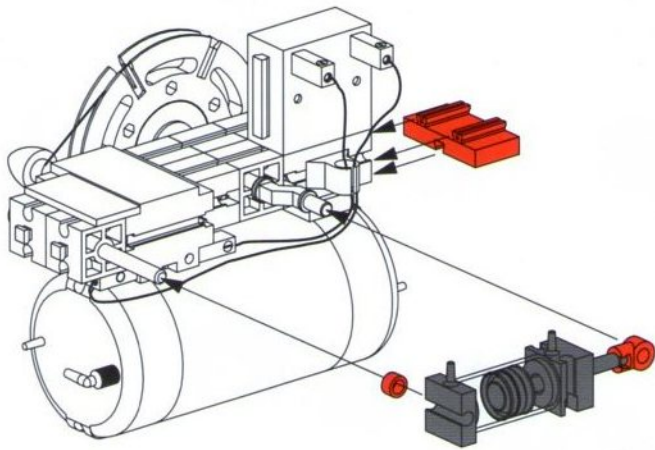


- 3**
- 1x [Red Technic Pin]
  - 1x [Red Technic Pin]
  - 1x [Red Technic Ring]
  - 1x [Red Technic Pin]
  - 1x [Grey Technic Pin 60]
  - 1x [Grey Technic Connector]
  - 2x [Green Technic Pin]
  - 2x [Red Technic Pin]

60 Stahl / Steel



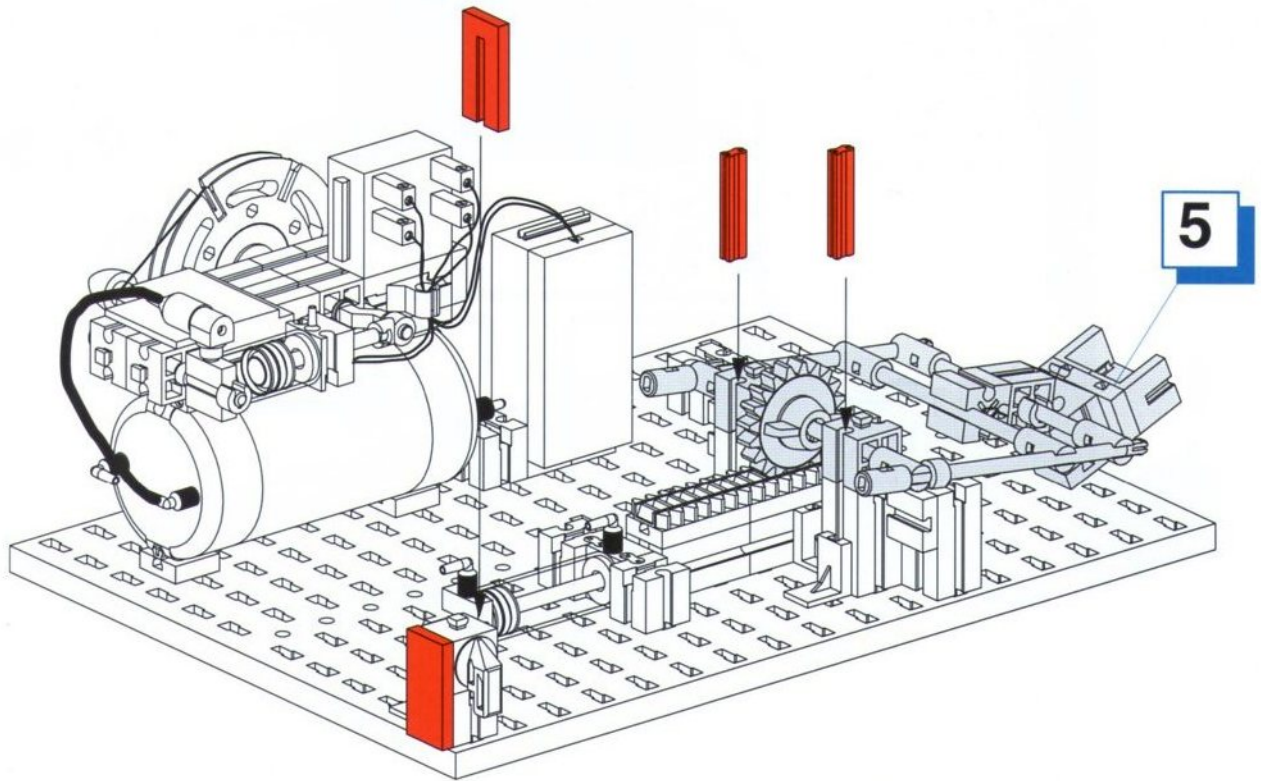
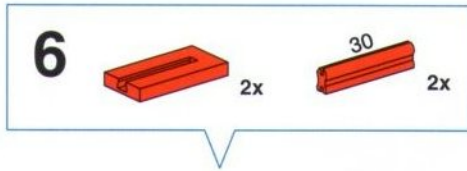
- 4**
- 1x [Blue Motor]
  - 2x [Red Technic Connector]
  - 1x [Grey Technic Pin]
  - 1x [Red Technic Ring]



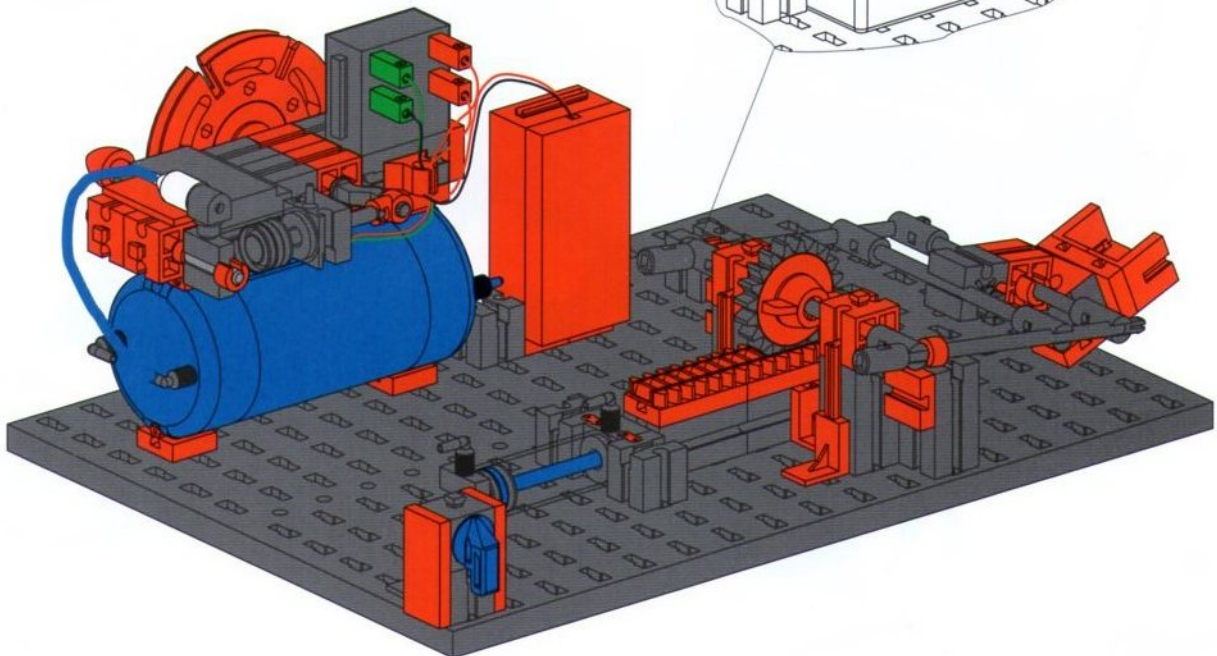
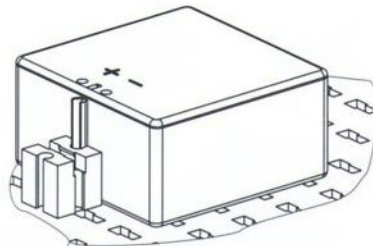






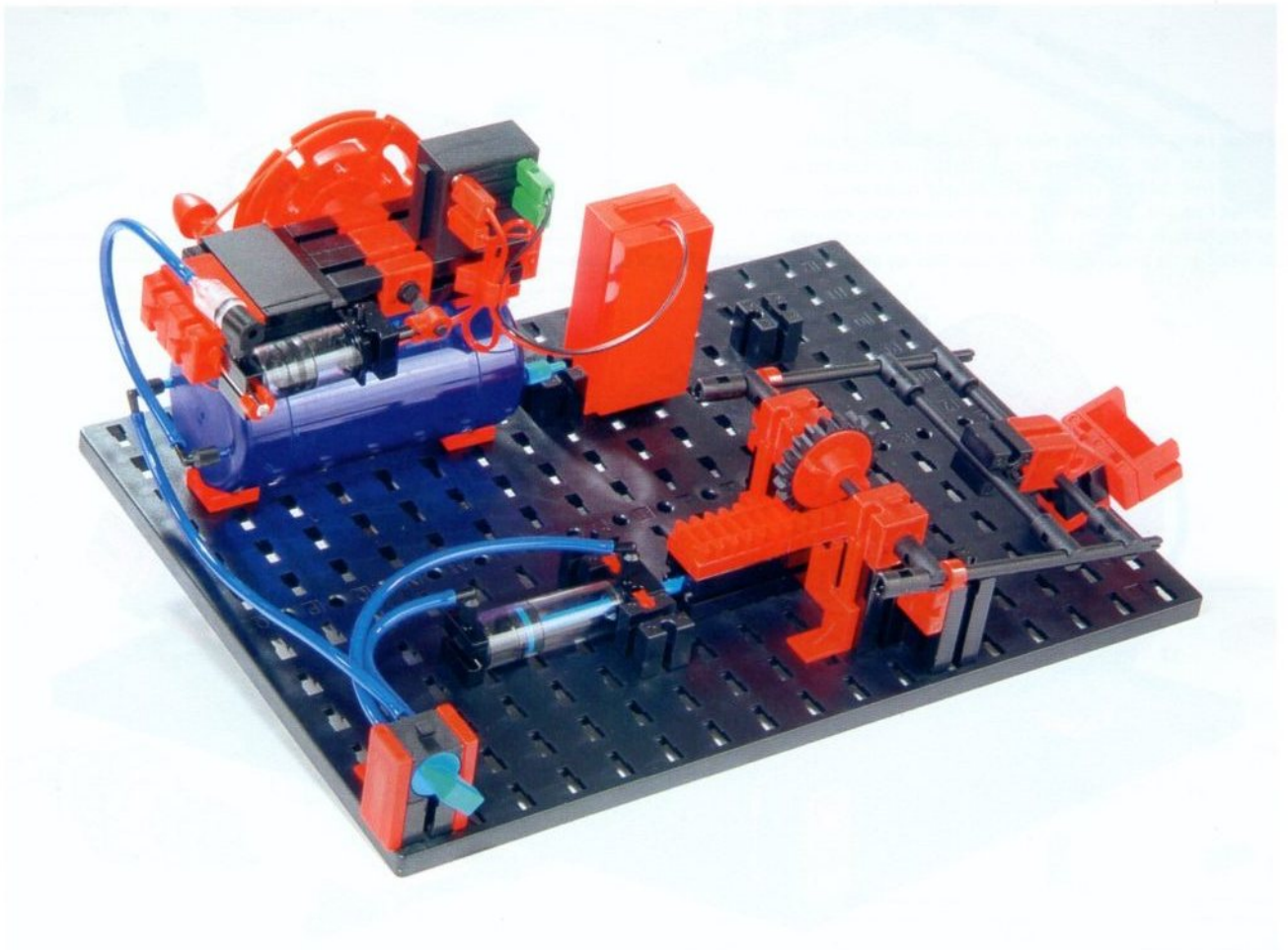
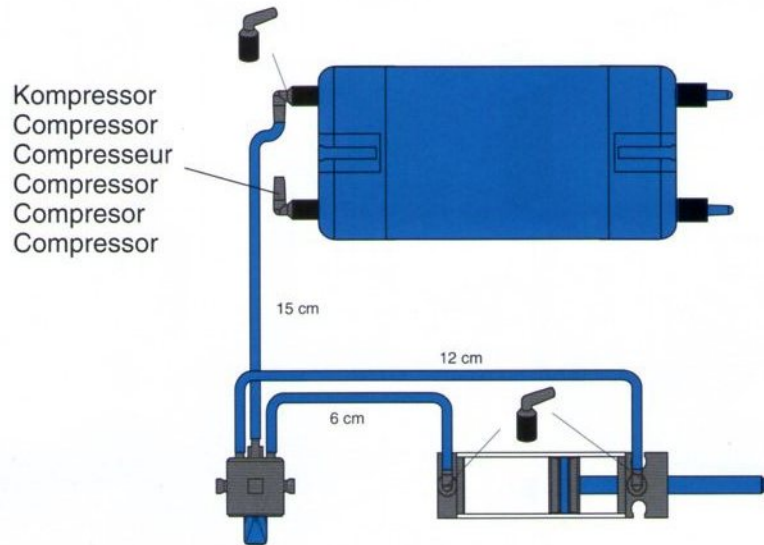


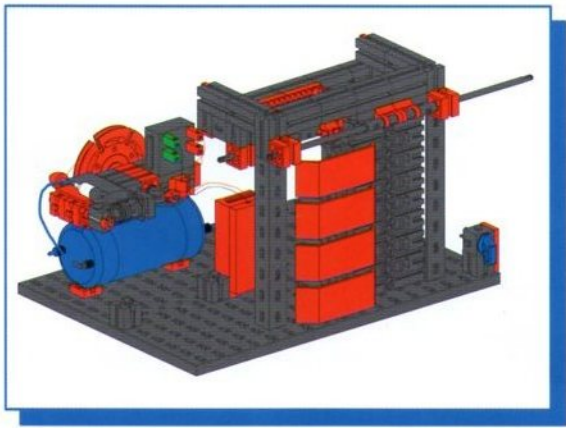
- Accu Set (Art.-Nr. 34969) nicht im Baukasten enthalten
- Accu Set (Art. No. 34969) not included in the modular kit
- Accu Set (réf. 34969) n'est pas contenue dans le kit
- Accu Set (art.-nr. 34969) niet in de bouwdoos opgenomen
- Accu Set (art. n° 34969) no está incluido en el conjunto
- Accu Set (Nº de prod. 34969) não contido no sistema de construção por blocos



Schlauchanschlussplan  
Air line layout plan  
Plan de raccordement de conduits

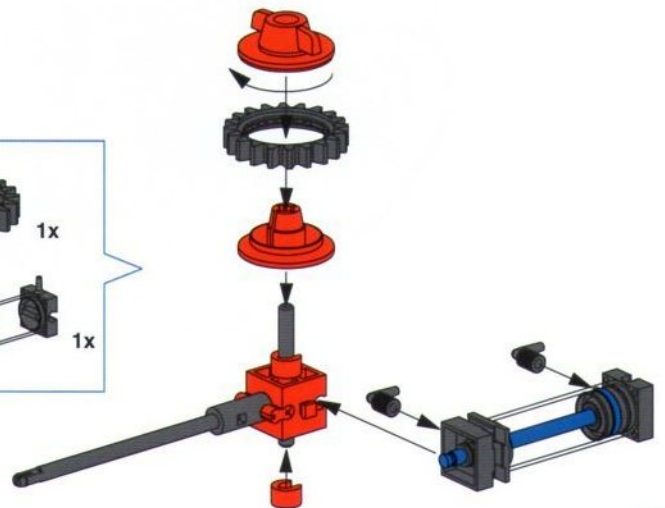
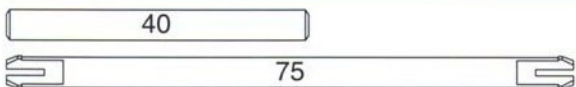
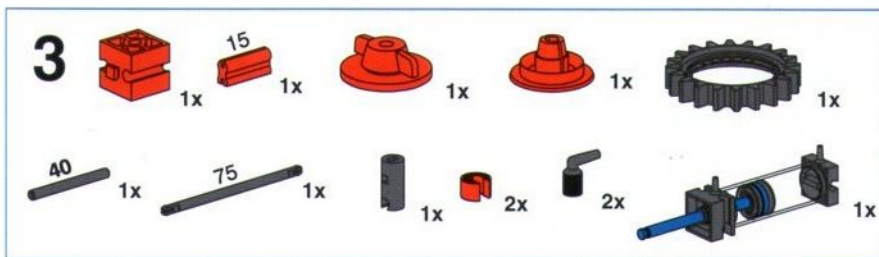
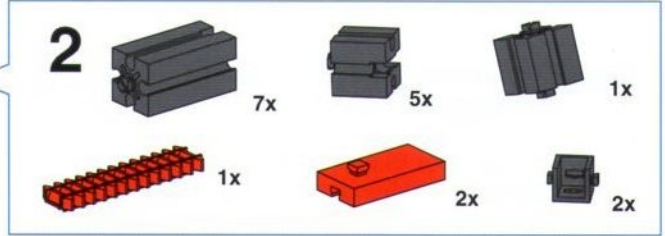
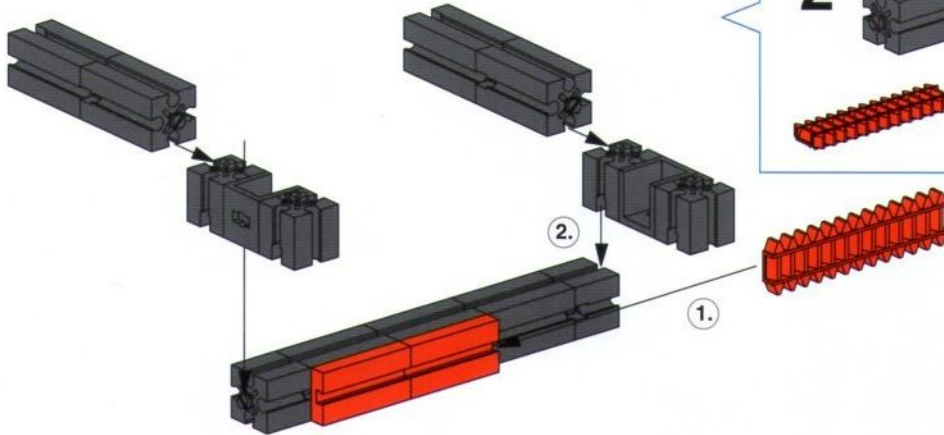
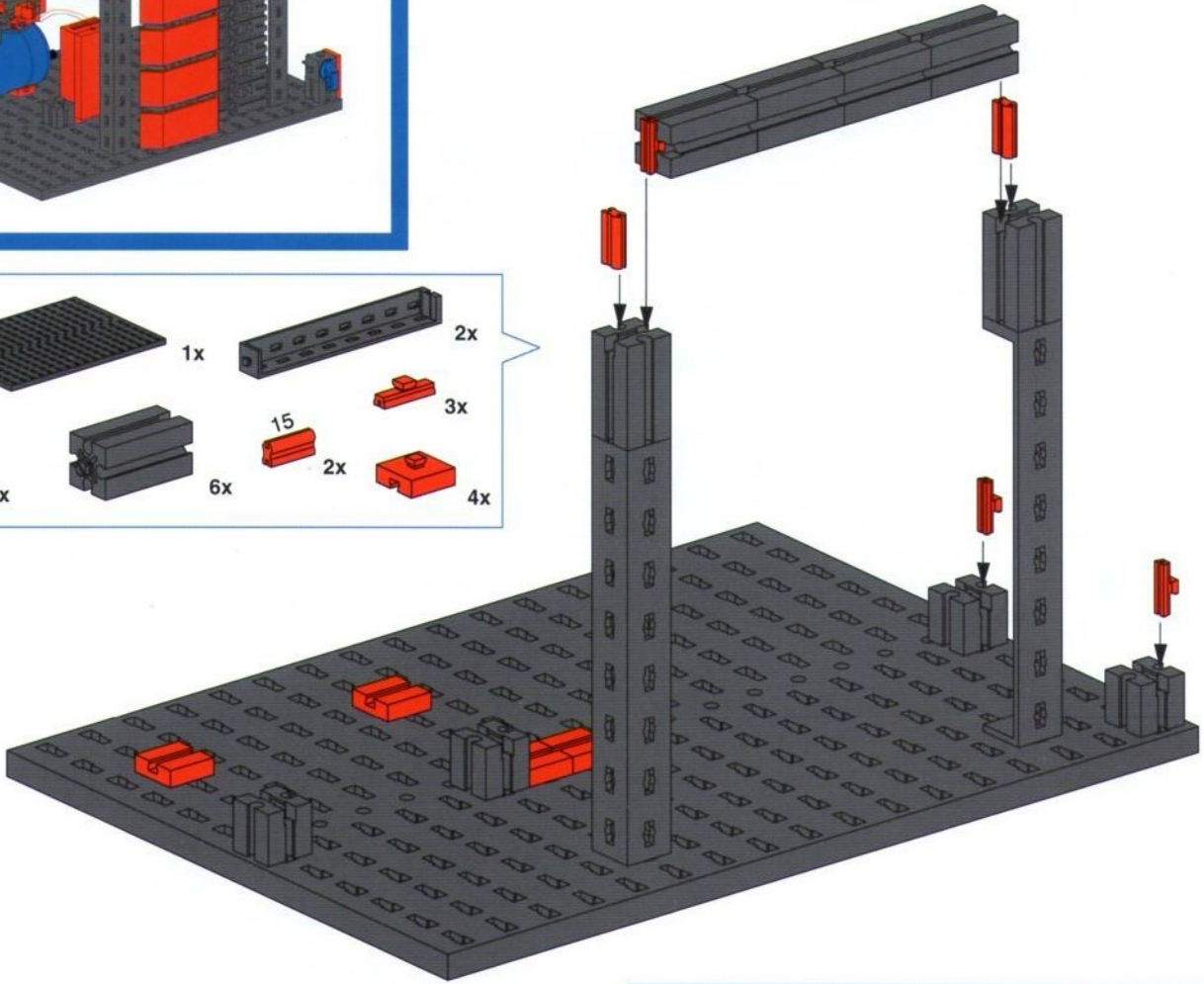
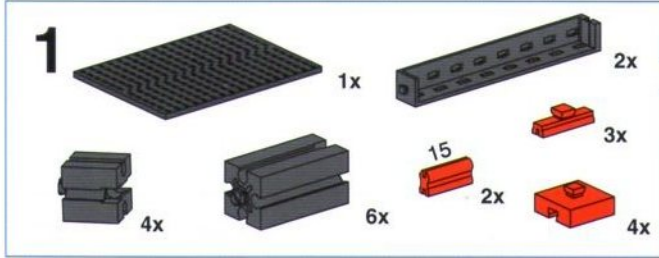
Aansluitschema van slang  
Racor de empalme  
Plano de conexão de mangueira

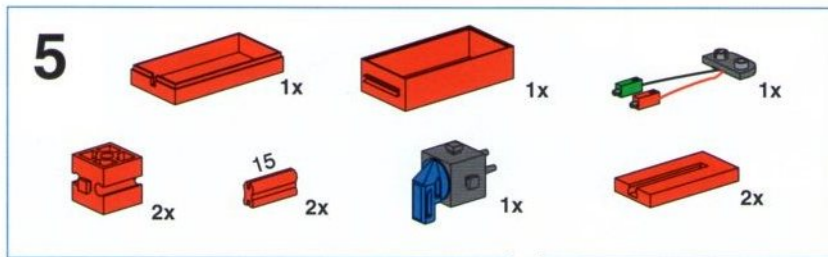
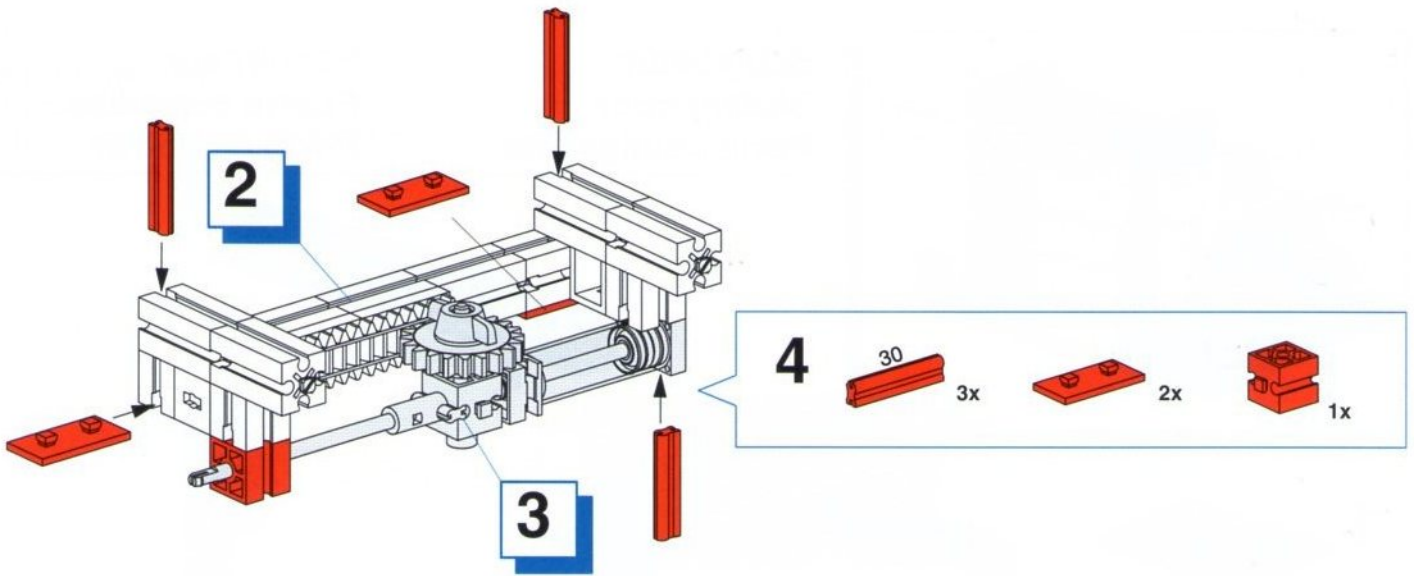




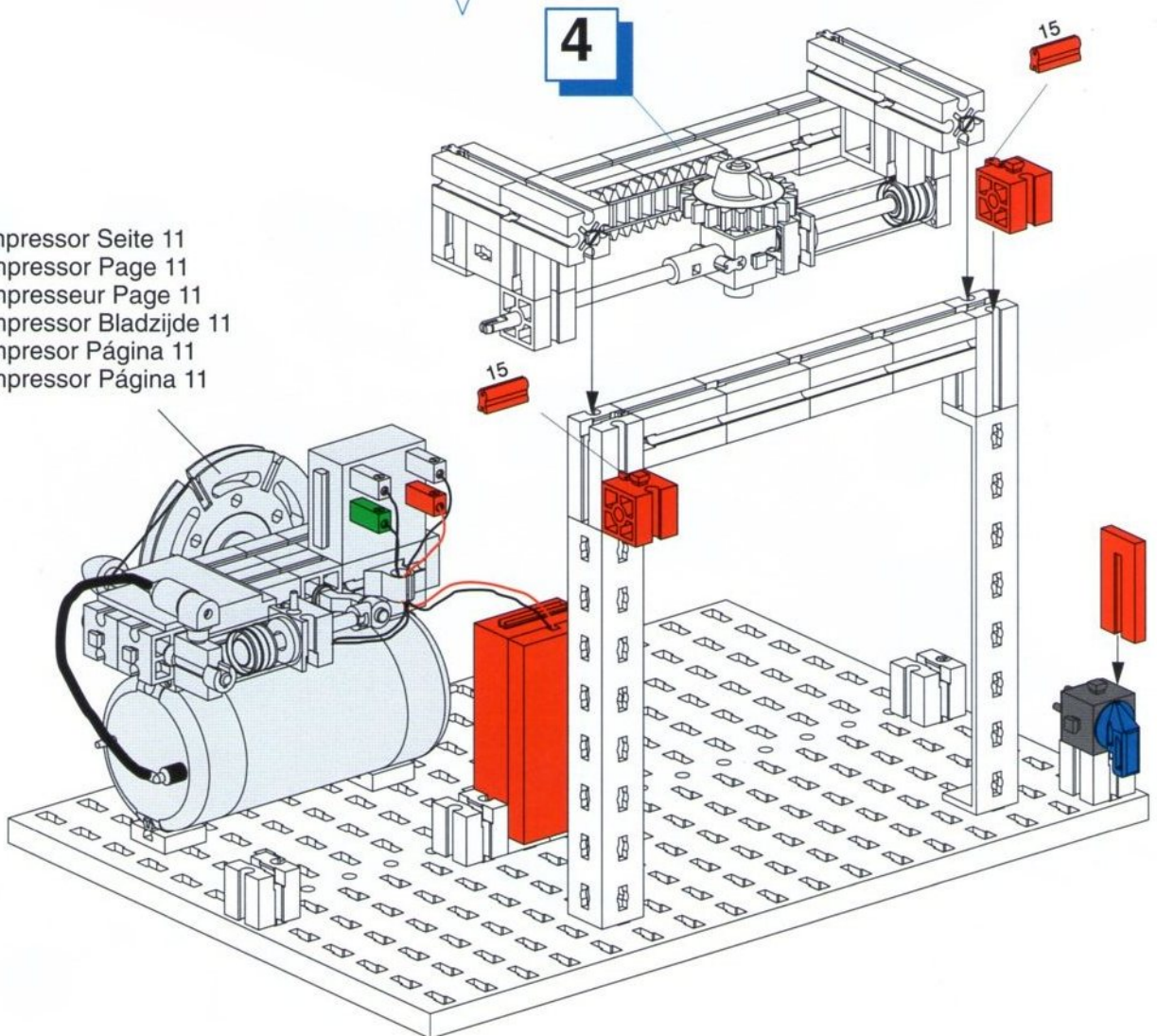
Schiebetür  
Sliding door  
Porte coulissante

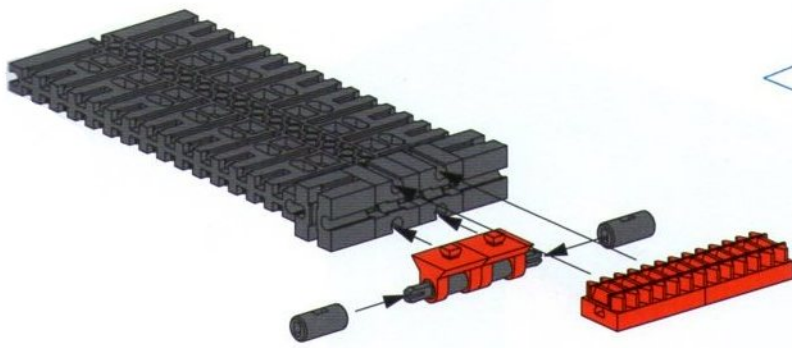
Schuijfeur  
Puerta corrediza  
Porta de correr





Kompressor Seite 11  
 Compressor Page 11  
 Compresseur Page 11  
 Compressor Bladzijde 11  
 Compressor Página 11  
 Compressor Página 11





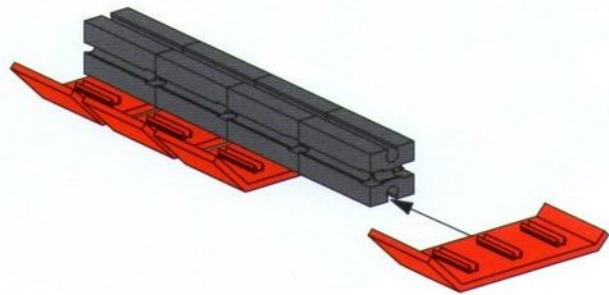
**6**

- 1x [Grey Technic Beam 1x15]
- 4x [Grey Technic Connector]
- 2x [Red Motor]
- 2x [Red Technic Beam 1x3]
- 2x [Grey Technic Pin]
- 1x [Red Technic Beam 1x15]
- 1x [Grey Technic Pin 45]

45

**7**

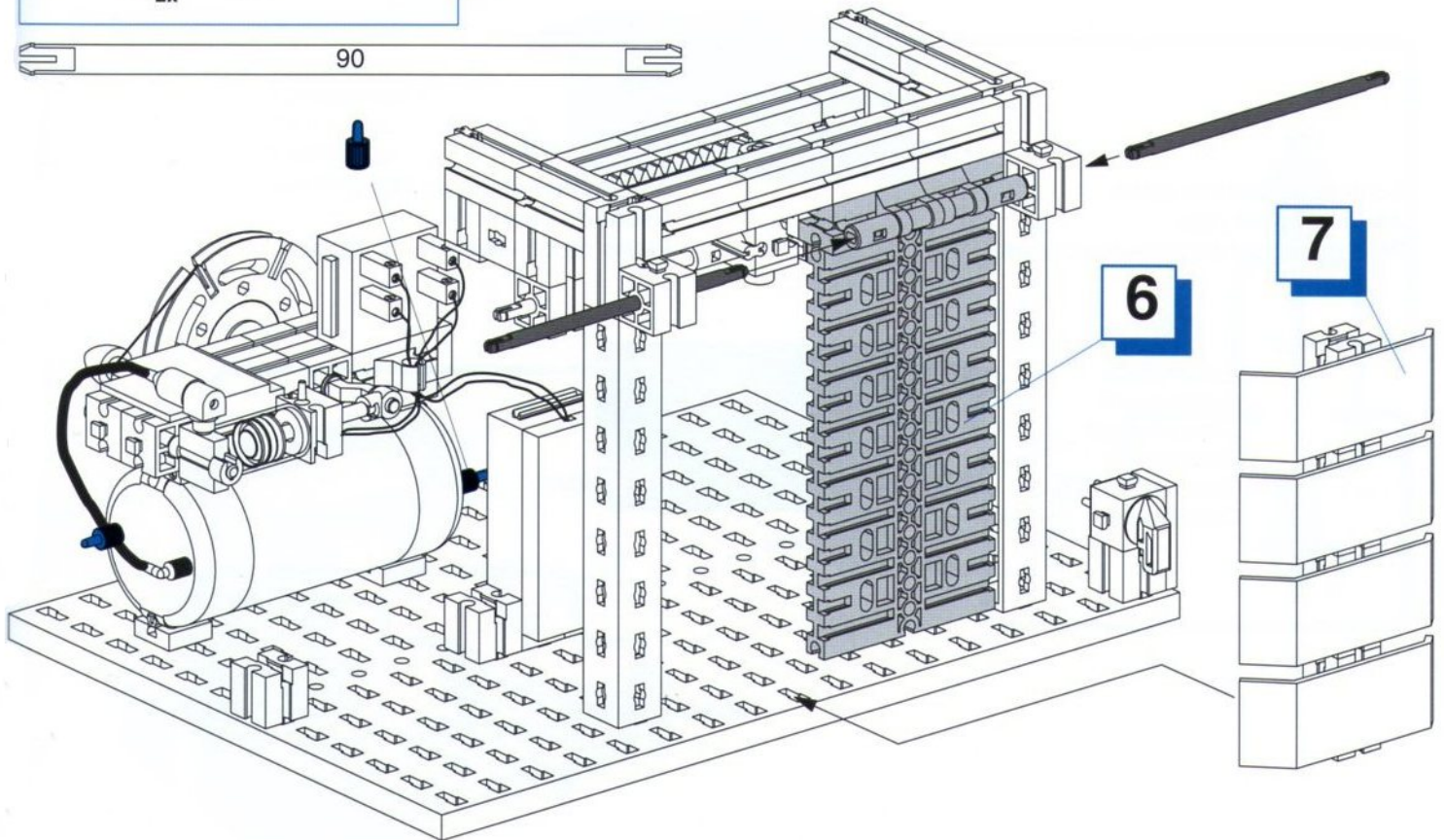
- 4x [Grey Technic Connector]
- 4x [Red Technic Beam 1x3]

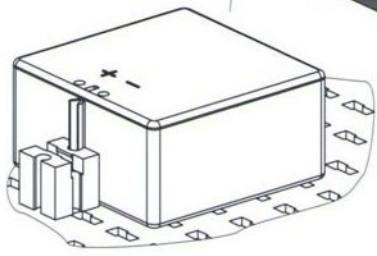
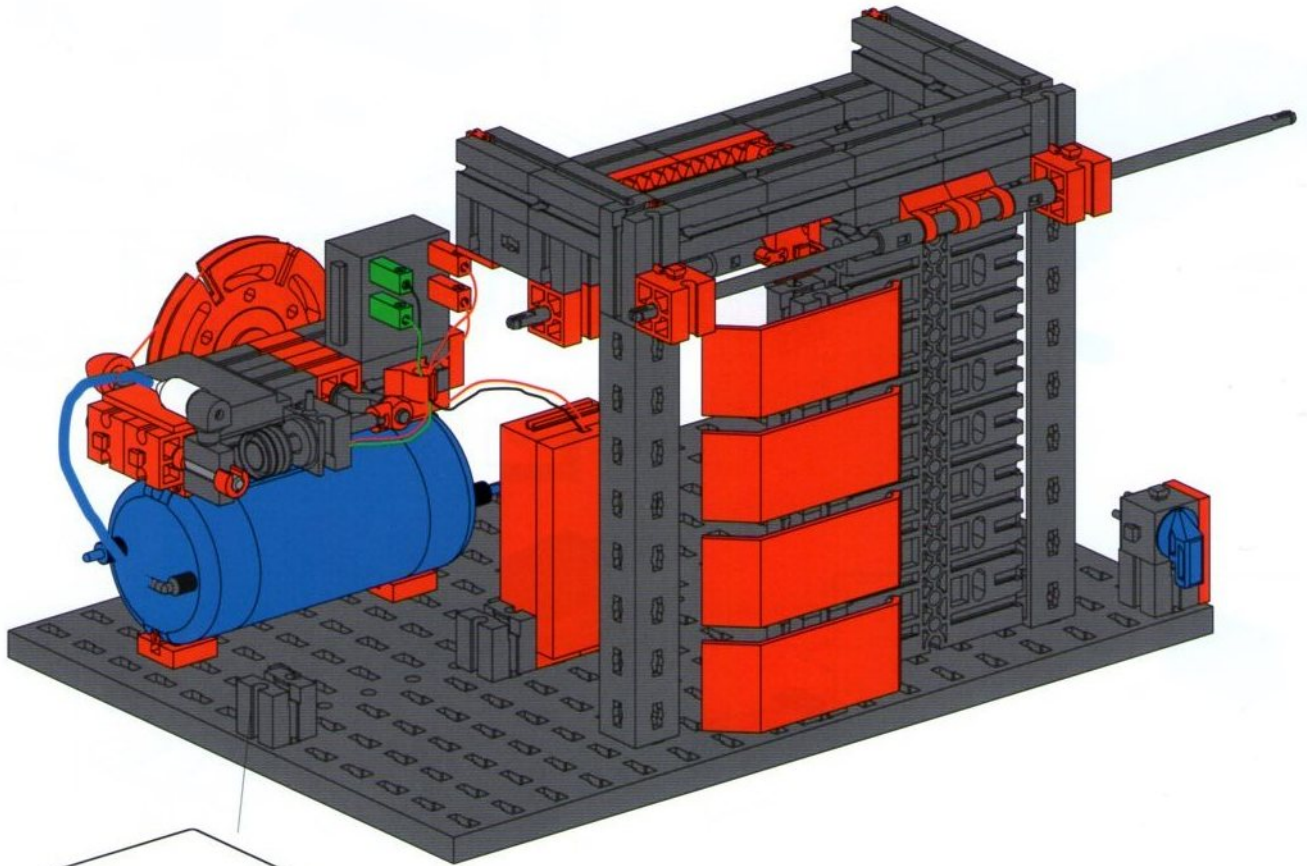


**8**

- 2x [Blue Technic Pin]
- 2x [Grey Technic Pin 90]

90

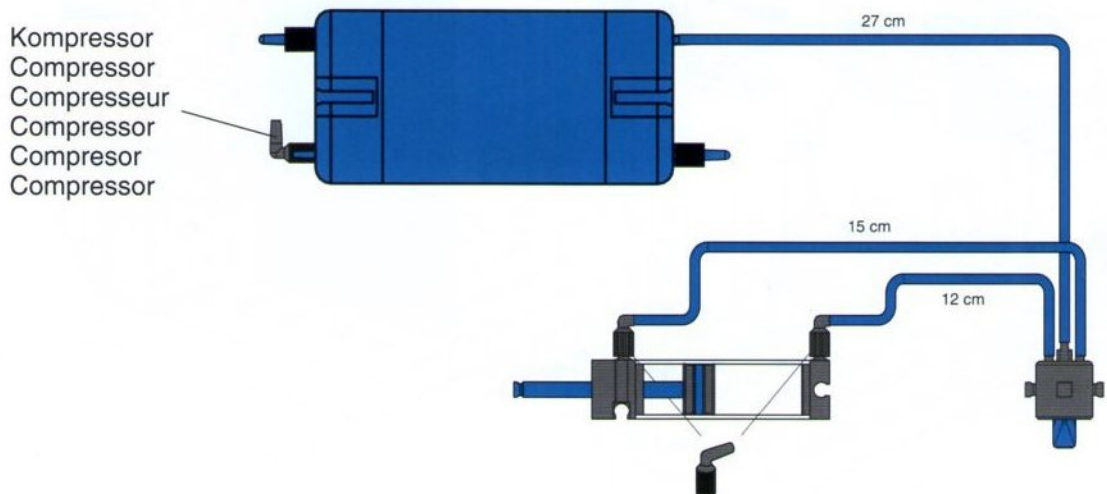




- Accu Set (Art.-Nr. 34969) nicht im Baukasten enthalten
- Accu Set (Art. No. 34969) not included in the modular kit
- Accu Set (réf. 34969) n'est pas contenue dans le kit
- Accu Set (art.-nr. 34969) niet in de bouwdoos opgenomen
- Accu Set (art. n° 34969) no está incluido en el conjunto
- Accu Set (Nº de prod. 34969) não contido no sistema de construção por blocos

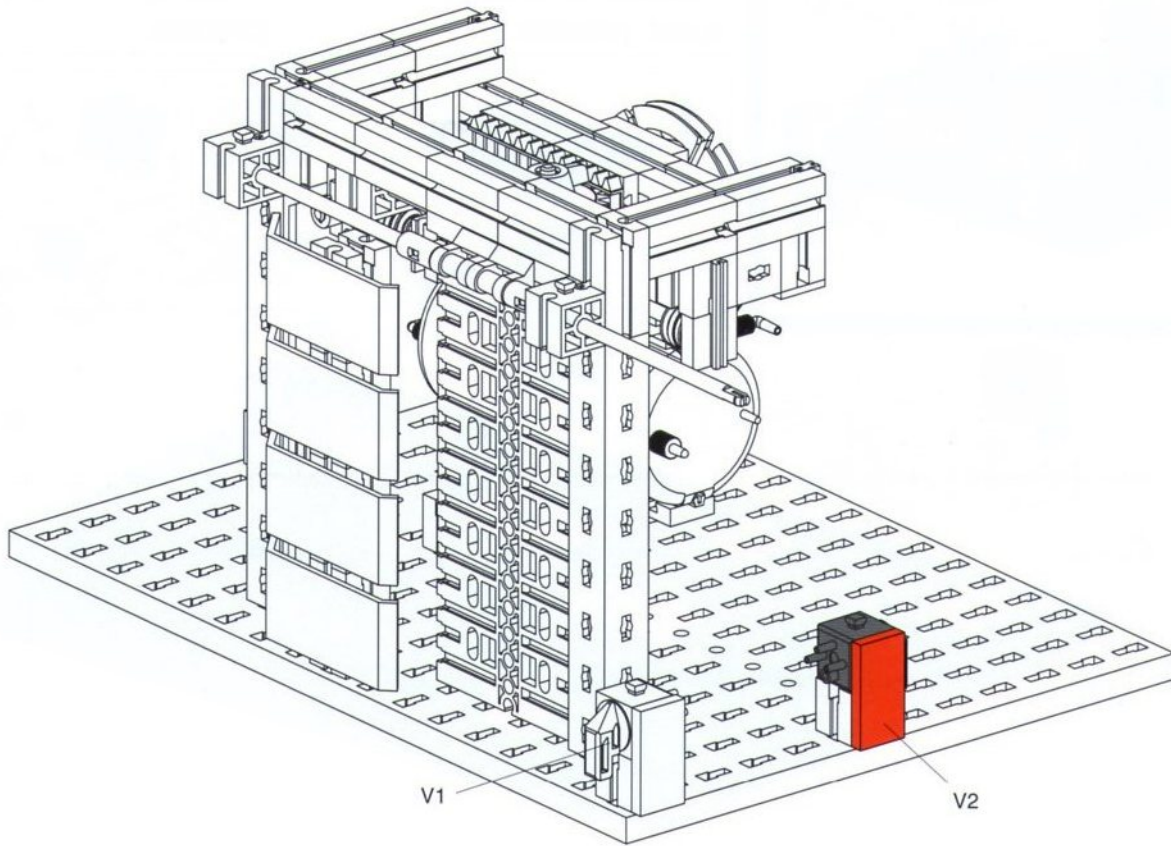
**Schlauchanschlussplan**  
**Air line layout plan**  
**Plan de raccordement de conduits**

**Aansluitschema van slang**  
**Racor de empalme**  
**Plano de conexão de mangueira**



Zweites Ventil  
 Second valve  
 Seconde vanne

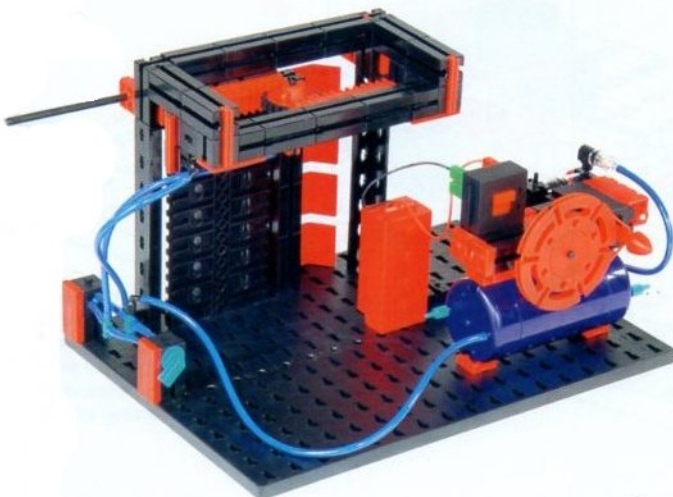
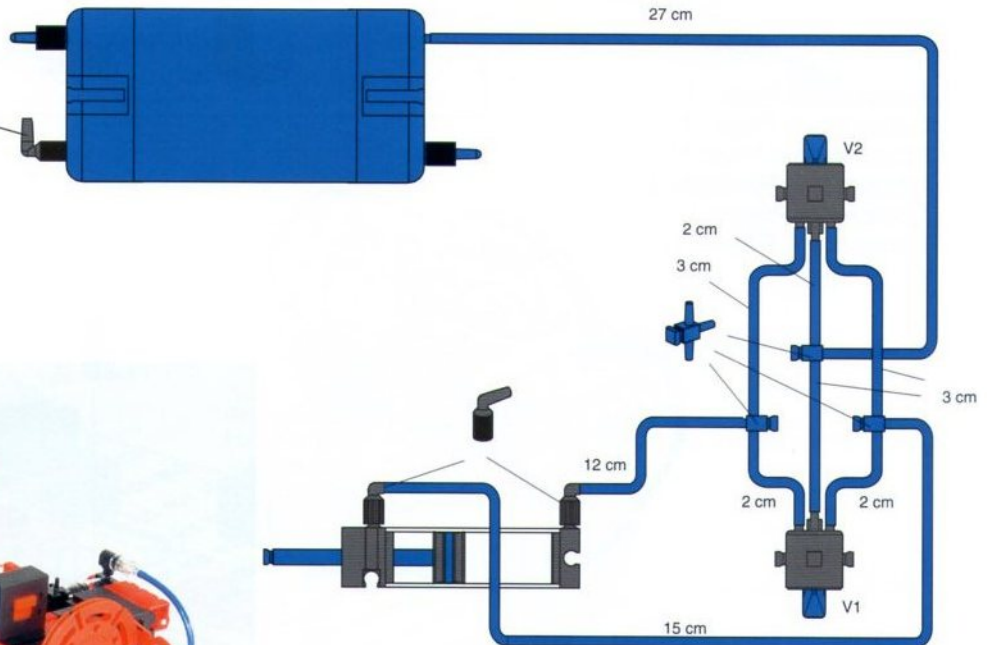
Tweede klep  
 Segunda válvula  
 Segunda válvula

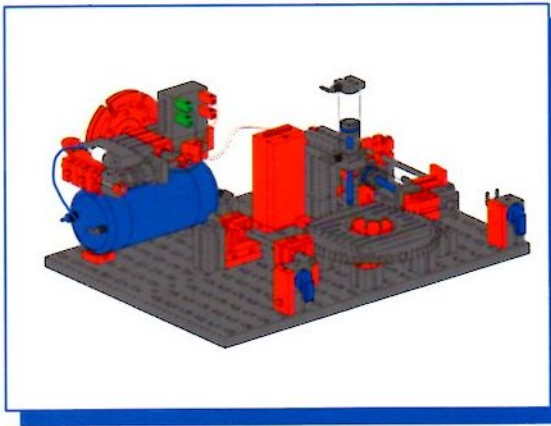


Schlauchanschlussplan  
 Air line layout plan  
 Plan de raccordement de conduits

Aansluitschema van slang  
 Racor de empalme  
 Plano de conexão de mangueira

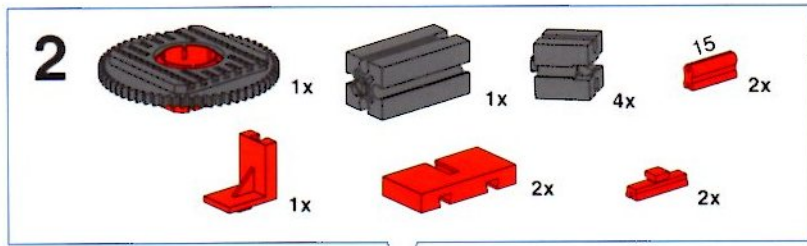
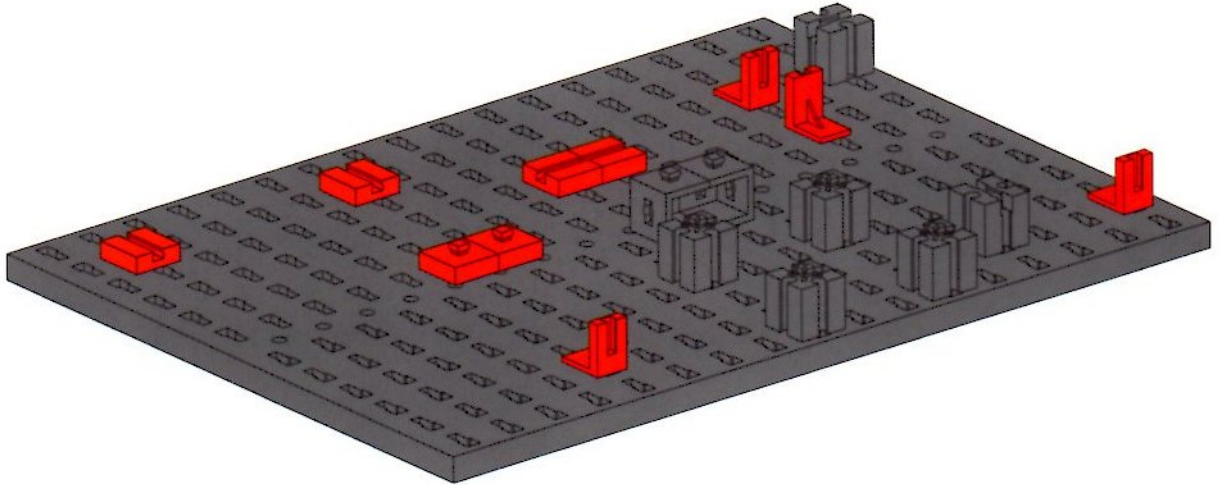
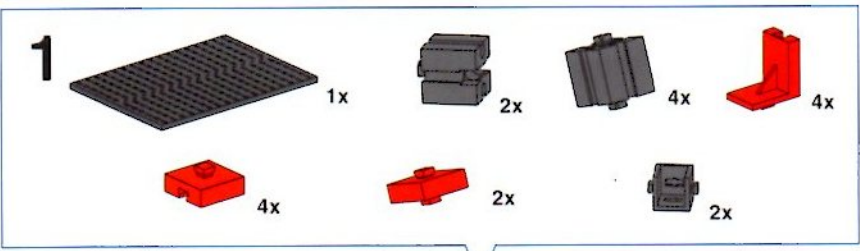
Kompressor  
 Compressor  
 Compresseur  
 Compressor  
 Compressor  
 Compressor



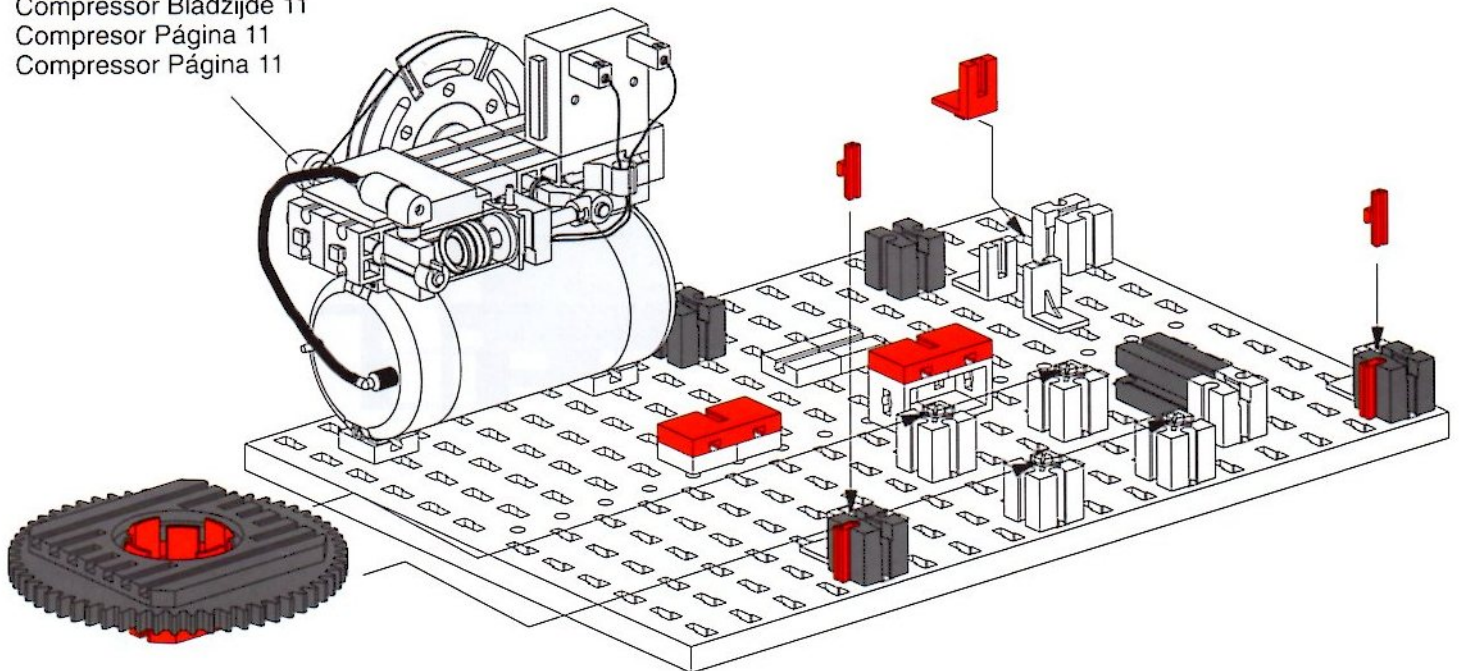


Drehtisch mit Presse  
Turntable with press  
Plateau tournant  
avec presse

Draaitafel met pers  
Mesa giratoria con prensa  
Mesa giratória com  
prensa

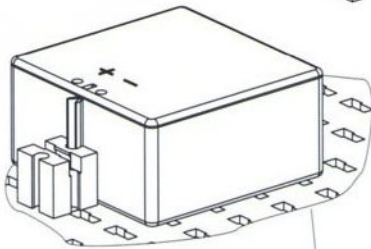
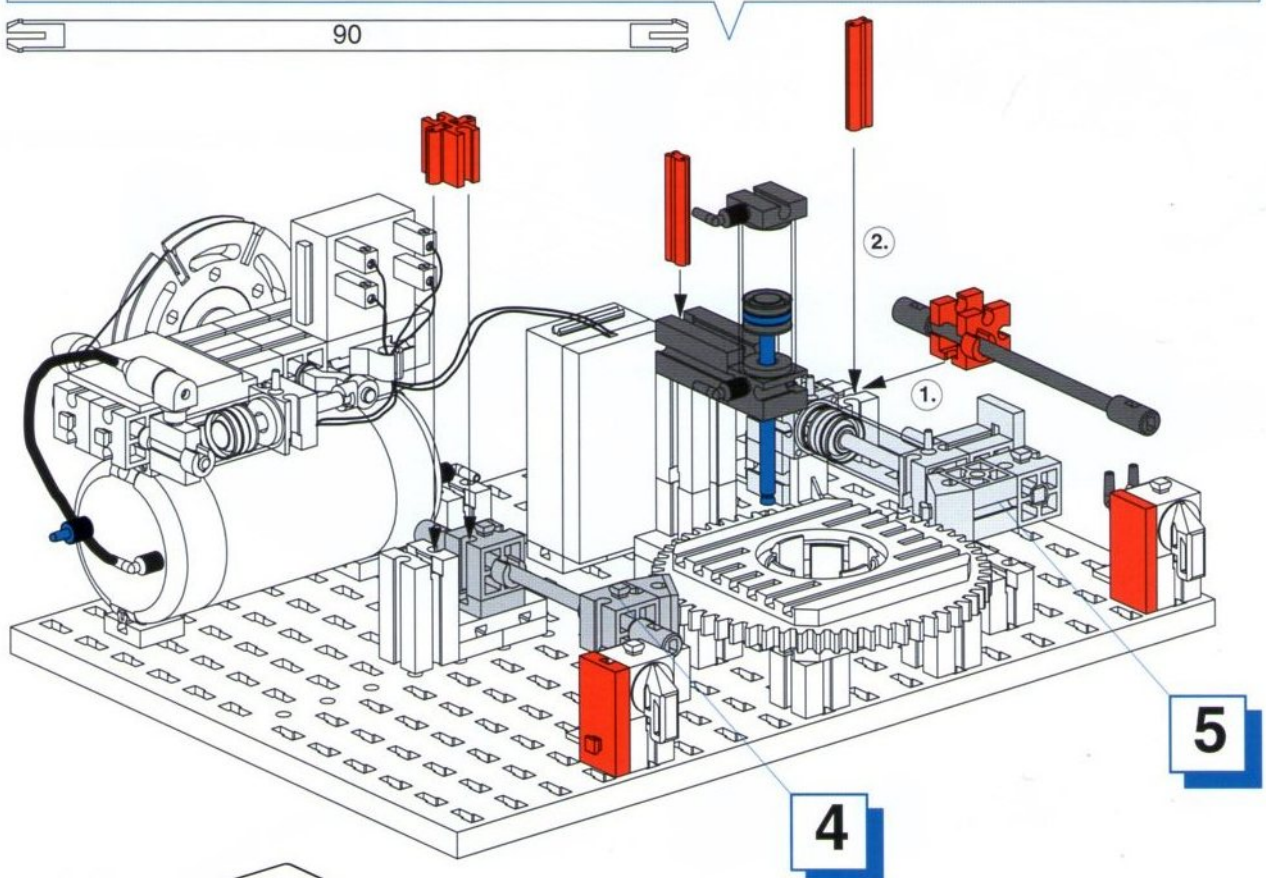
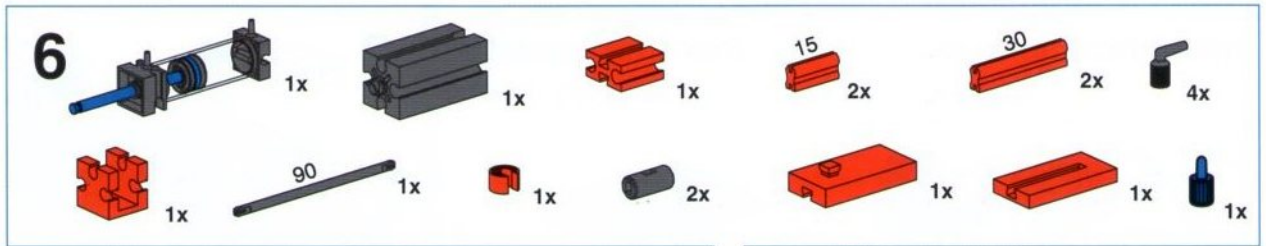


Kompressor Seite 11  
Compressor Page 11  
Compresseur Page 11  
Compressor Bladzijde 11  
Compresor Página 11  
Compressor Página 11

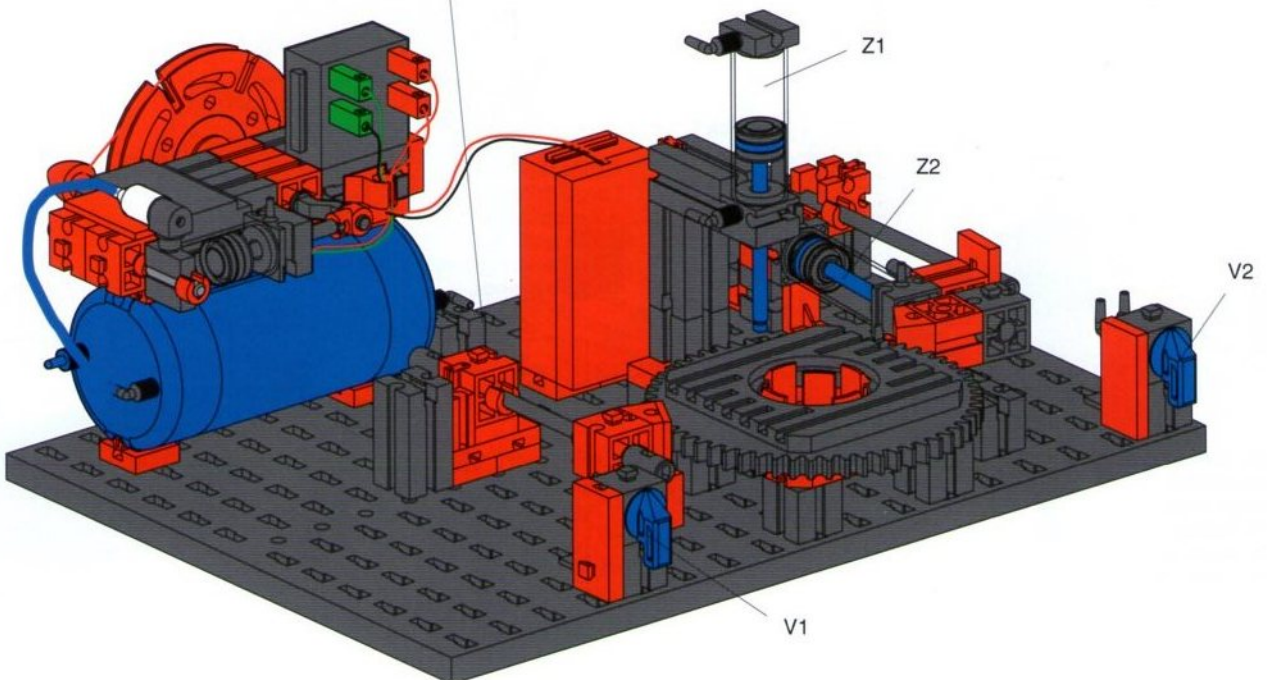








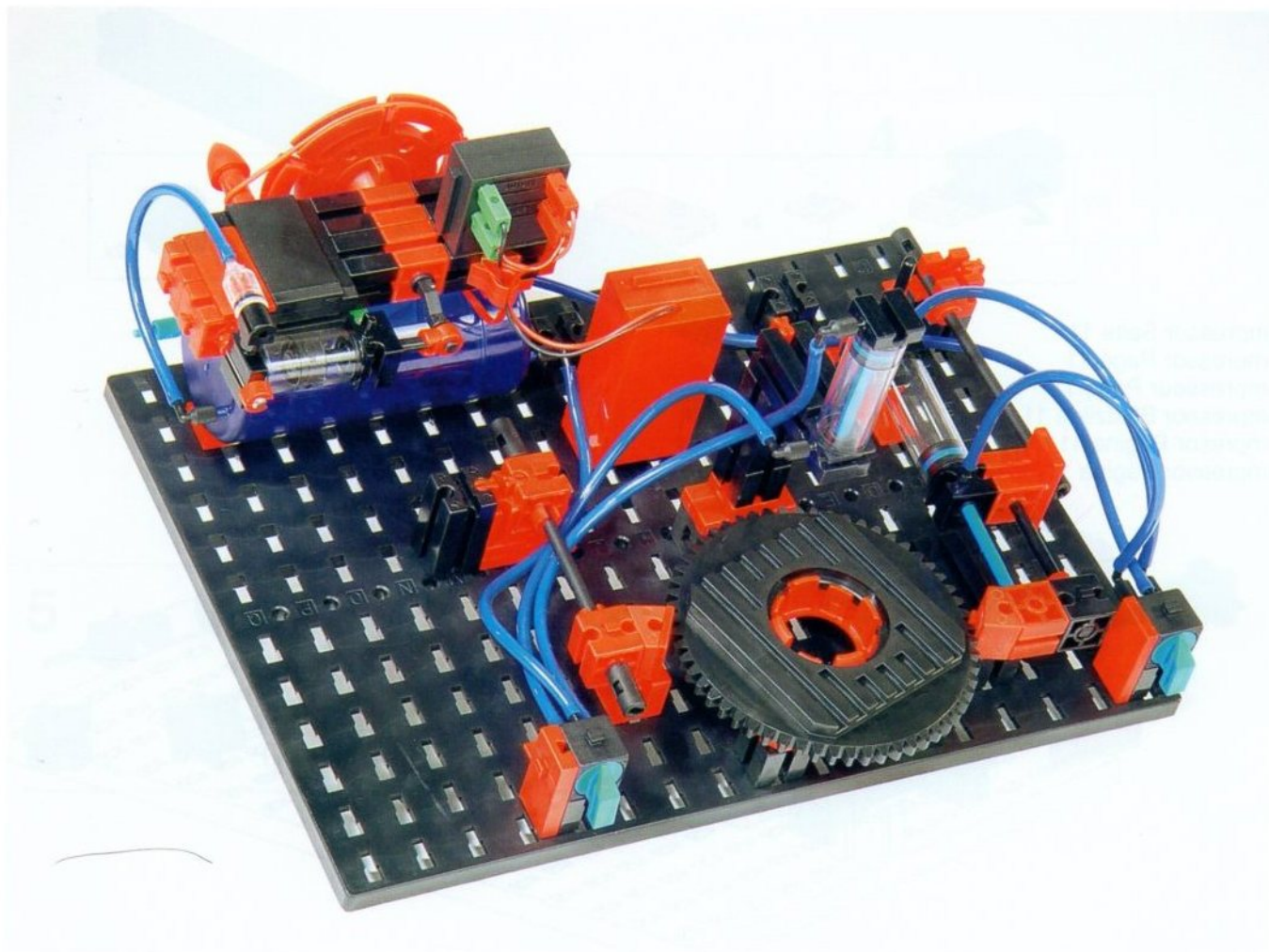
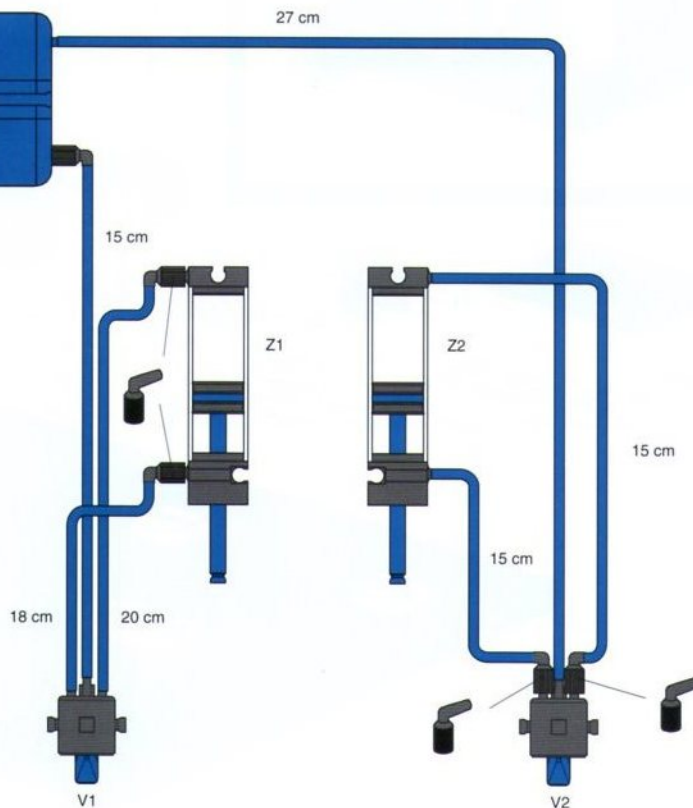
- Accu Set (Art.-Nr. 34969) nicht im Baukasten enthalten
- Accu Set (Art. No. 34969) not included in the modular kit
- Accu Set (réf. 34969) n'est pas contenue dans le kit
- Accu Set (art.-nr. 34969) niet in de bouwdoos opgenomen
- Accu Set (art. n° 34969) no está incluido en el conjunto
- Accu Set (Nº de prod. 34969) não contido no sistema de construção por blocos



Schlauchanschlussplan  
Air line layout plan  
Plan de raccordement de conduits

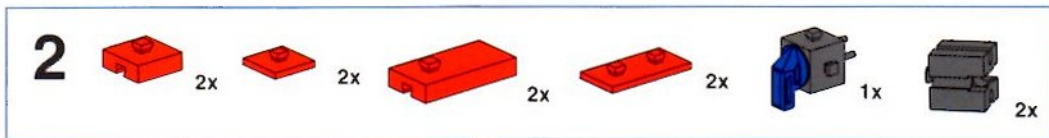
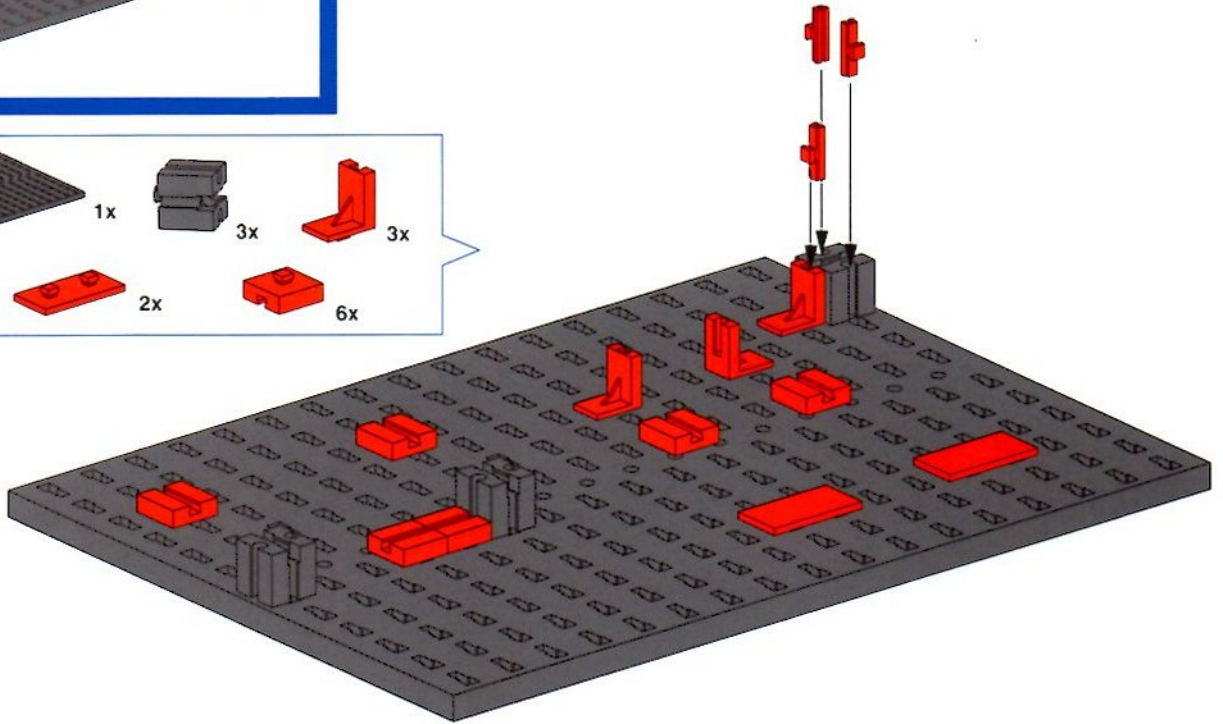
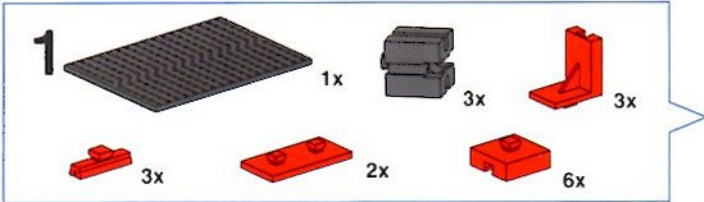
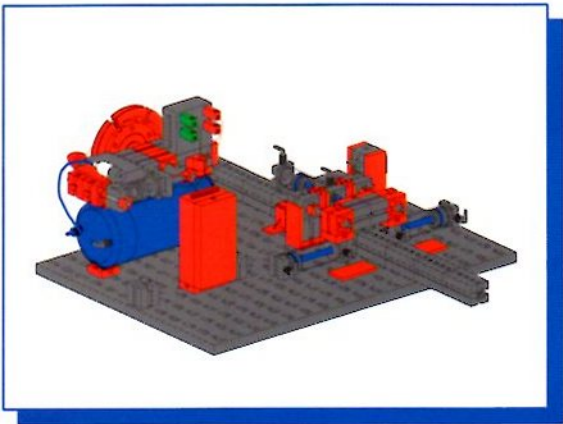
Aansluitschema van slang  
Racor de empalme  
Plano de conexão de mangueira

Kompressor  
Compressor  
Compresseur  
Compressor  
Compresor  
Compressor

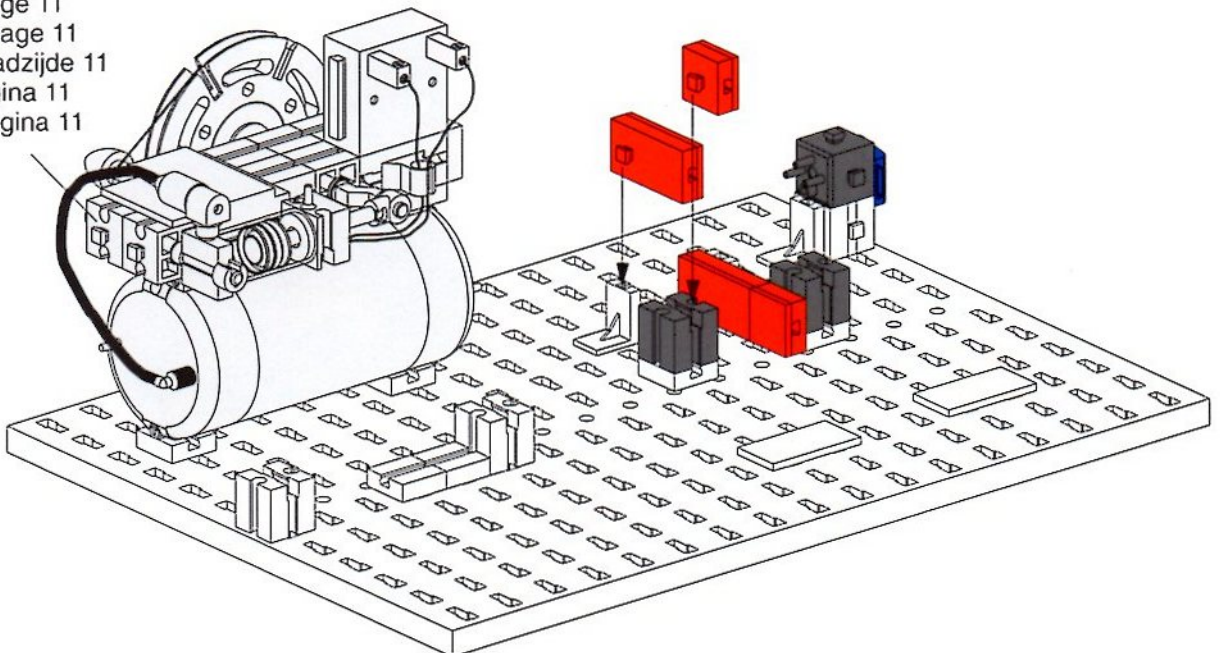


Linear-Vorschub  
 Linear feed  
 Mécanisme  
 d'avance linéaire

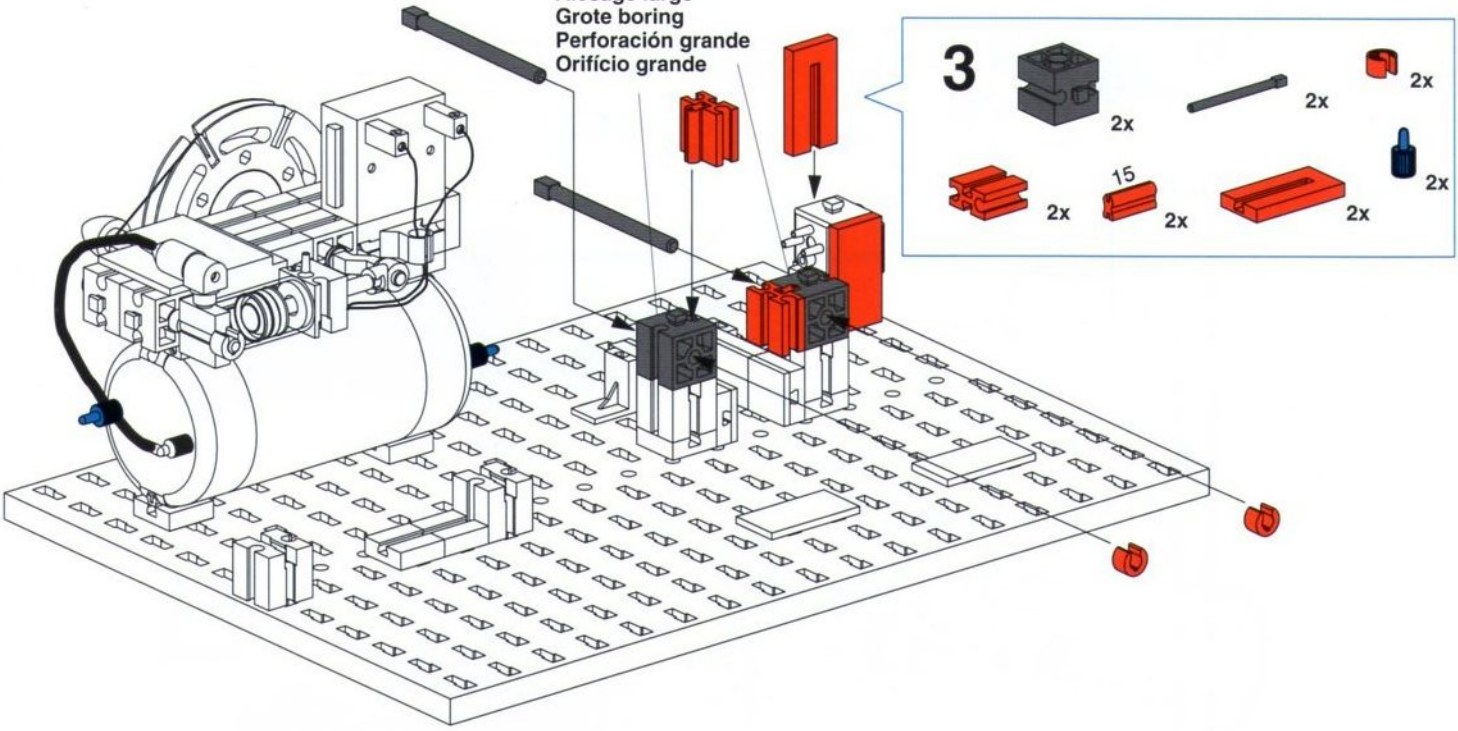
Lineaire voortbeweging  
 Avance lineal  
 Avanço linear



Kompressor Seite 11  
 Compressor Page 11  
 Compresseur Page 11  
 Compressor Bladzijde 11  
 Compresor Página 11  
 Compressor Página 11



Große Bohrung  
 Large drilling  
 Alésage large  
 Grote boring  
 Perforación grande  
 Orificio grande



**3**

- 2x [Black 2x2 Technic brick]
- 2x [Grey Technic axle]
- 2x [Red Technic axle]
- 2x [Red Technic axle]
- 15 [Red Technic axle]
- 2x [Red Technic axle]
- 2x [Red Technic axle]
- 2x [Red Technic axle]
- 2x [Red Technic axle]
- 2x [Red Technic axle]

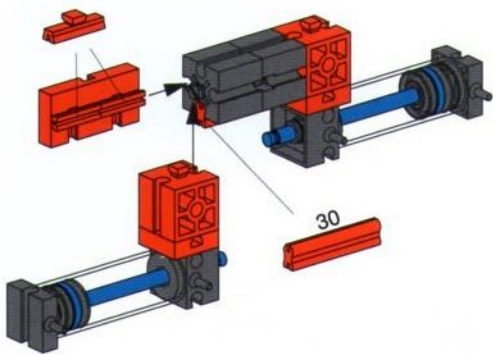


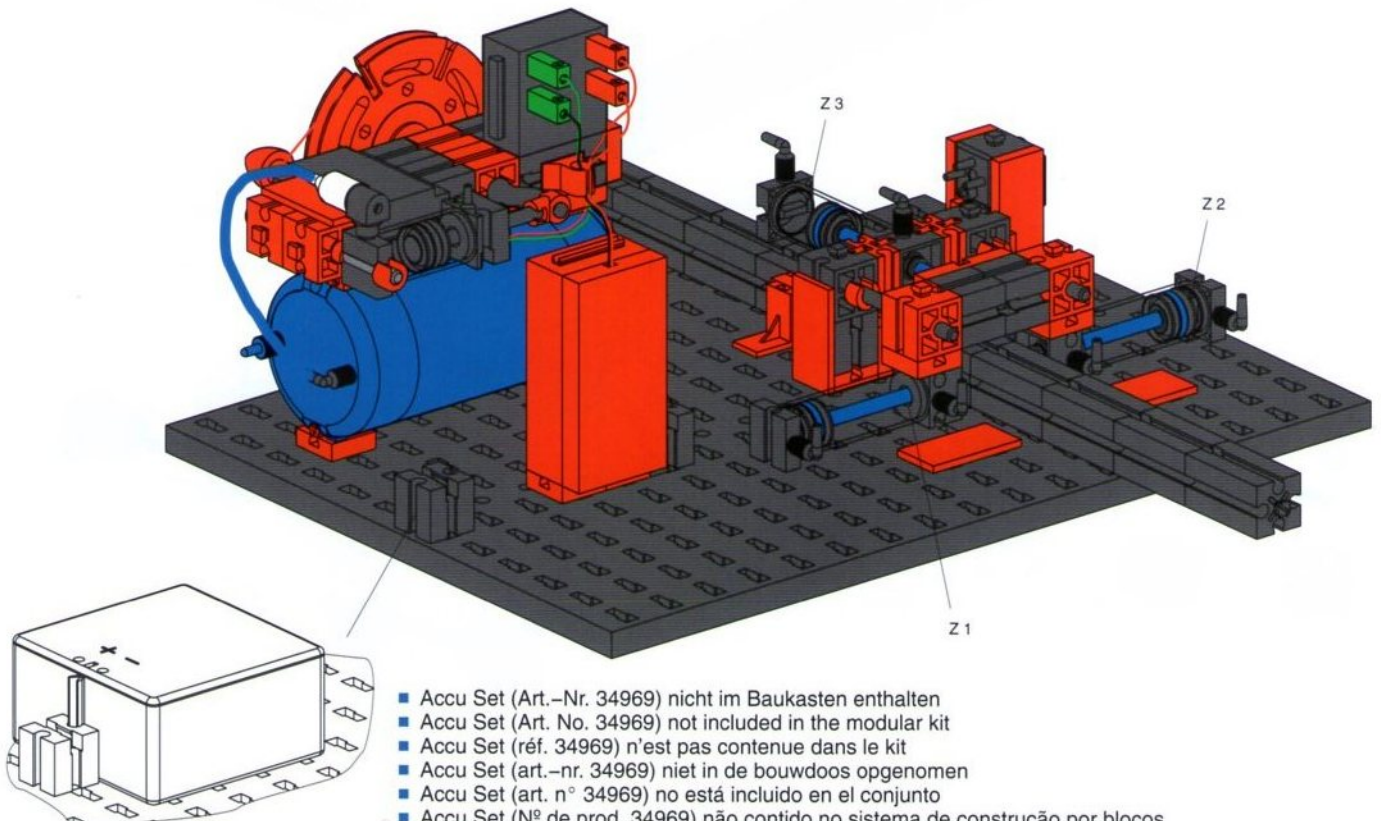
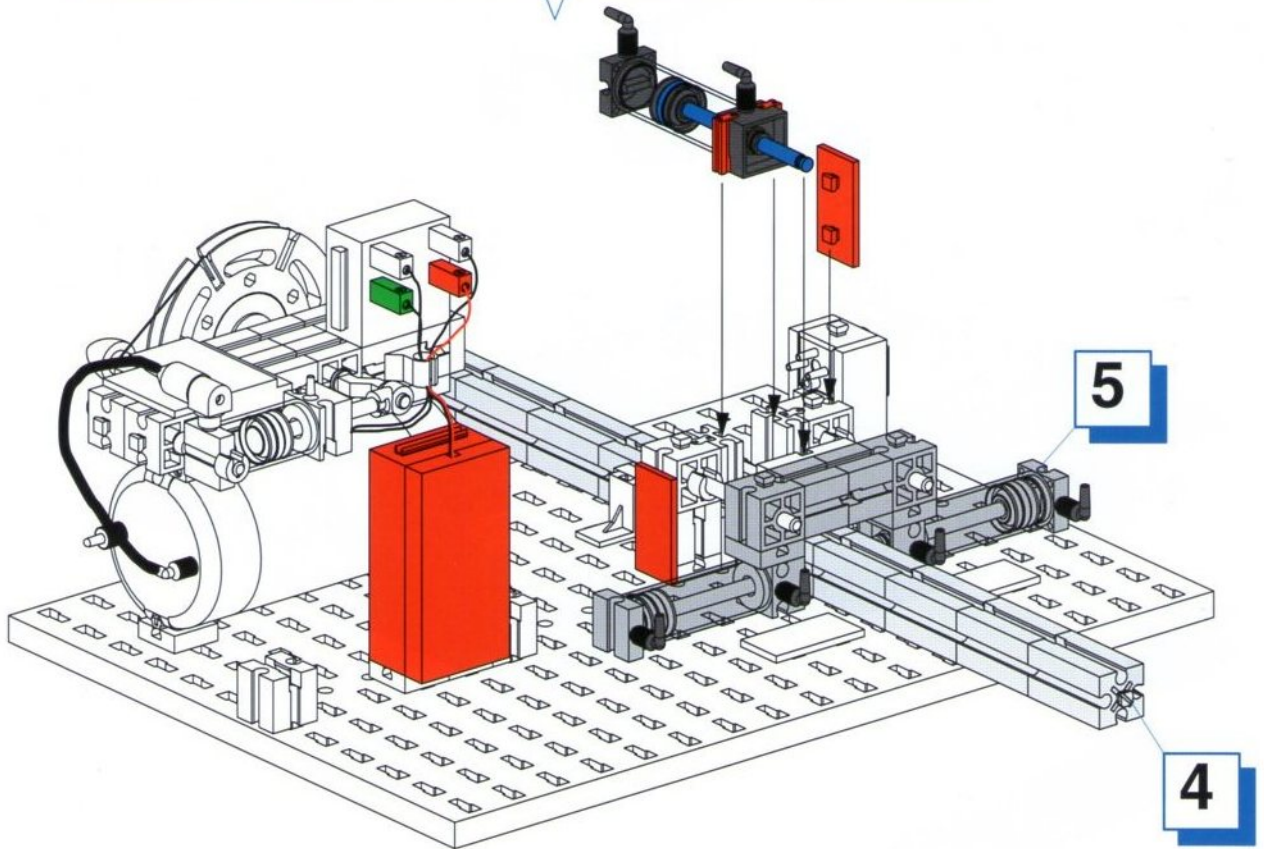
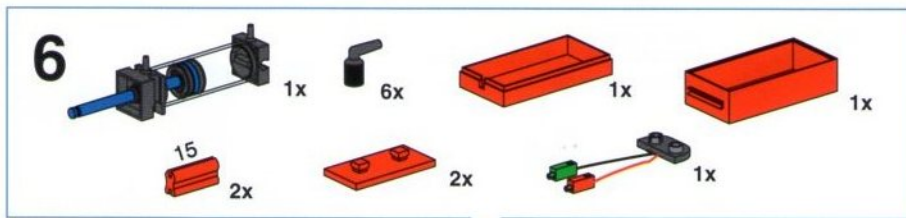
**4**

- 10x [Grey Technic axle]

**5**

- 2x [Grey Technic axle]
- 2x [Red Technic axle]
- 1x [Red Technic axle]
- 1x [Red Technic axle]
- 2x [Red Technic axle]
- 2x [Red Technic axle]
- 30 [Red Technic axle]
- 1x [Red Technic axle]
- 1x [Red Technic axle]
- 1x [Red Technic axle]

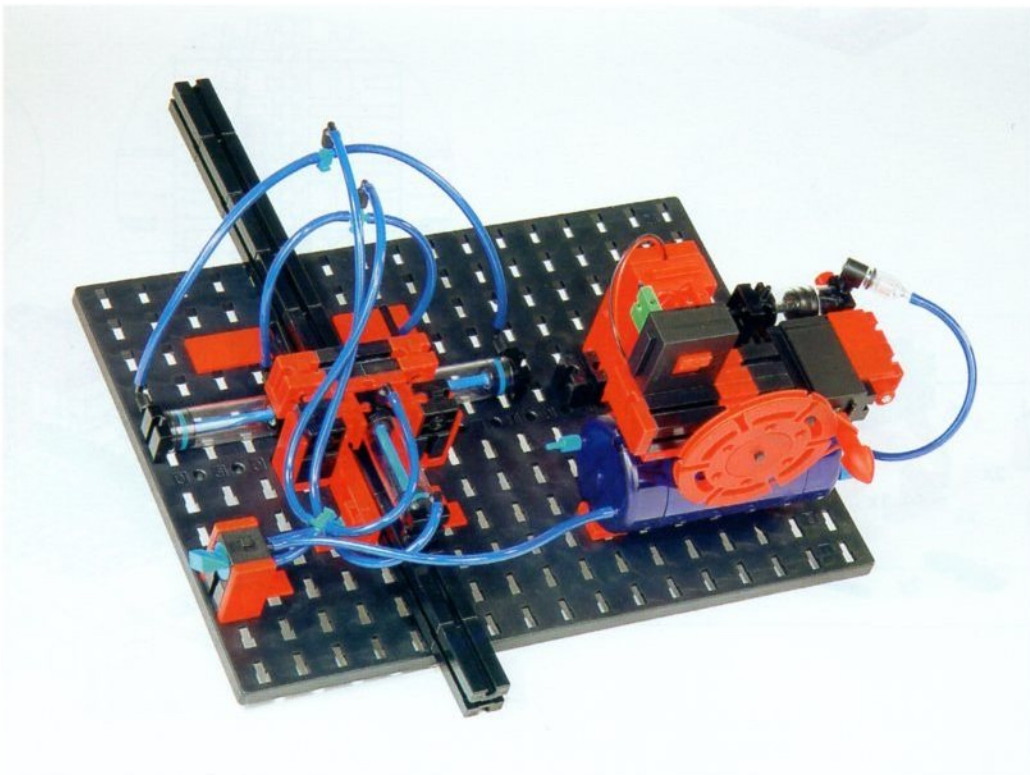
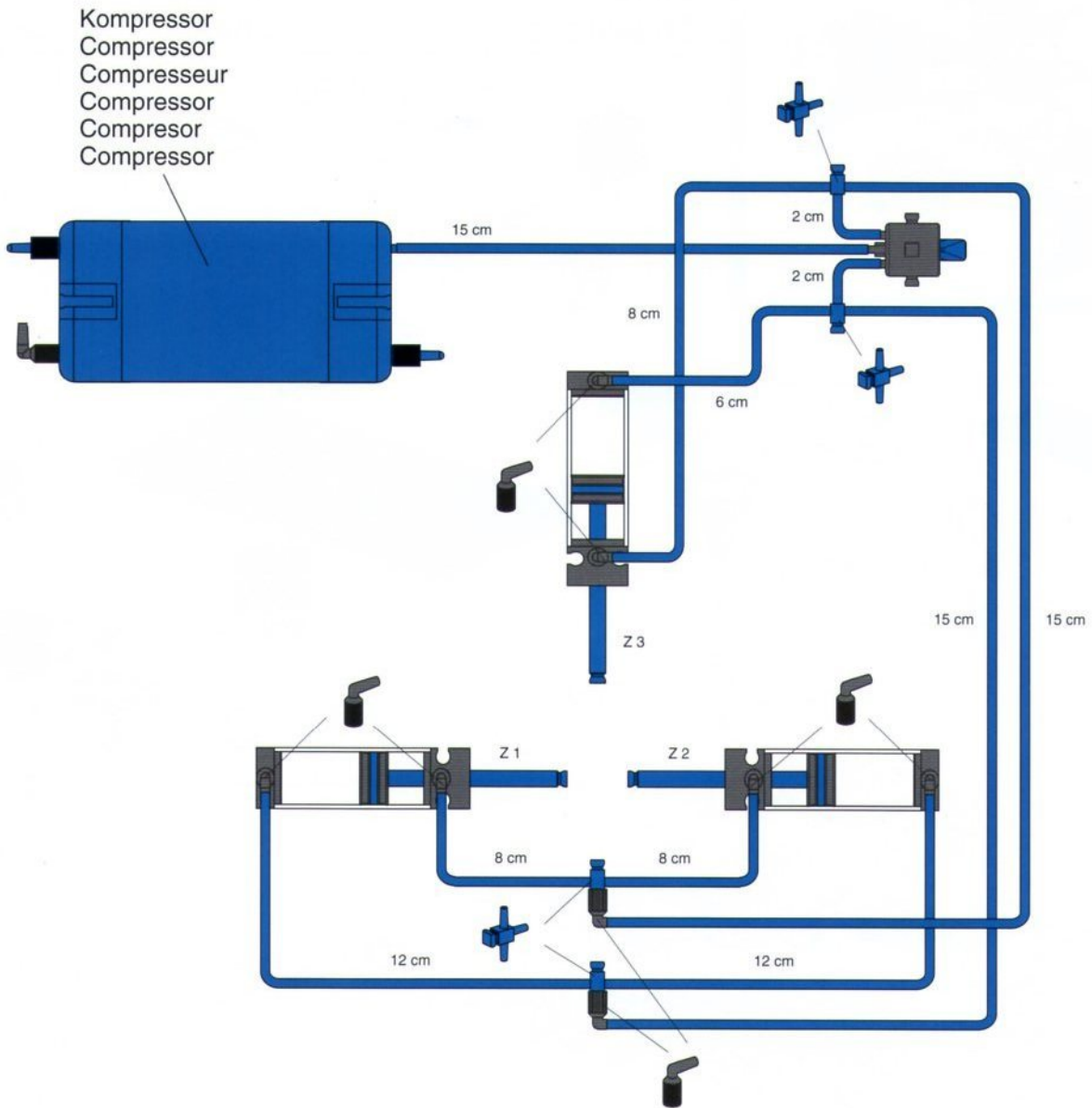




- Accu Set (Art.-Nr. 34969) nicht im Baukasten enthalten
- Accu Set (Art. No. 34969) not included in the modular kit
- Accu Set (réf. 34969) n'est pas contenue dans le kit
- Accu Set (art.-nr. 34969) niet in de bouwdoos opgenomen
- Accu Set (art. n° 34969) no está incluido en el conjunto
- Accu Set (Nº de prod. 34969) não contido no sistema de construção por blocos

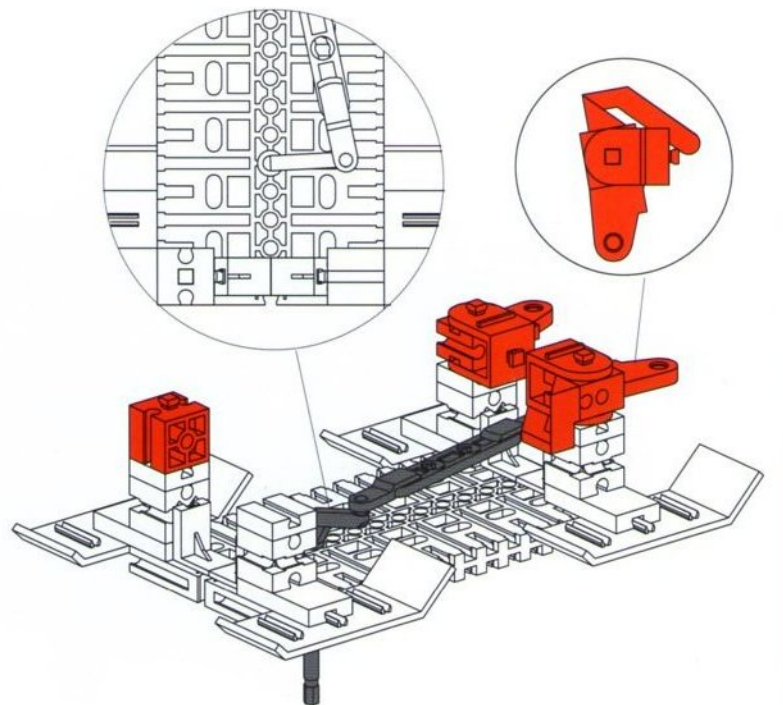
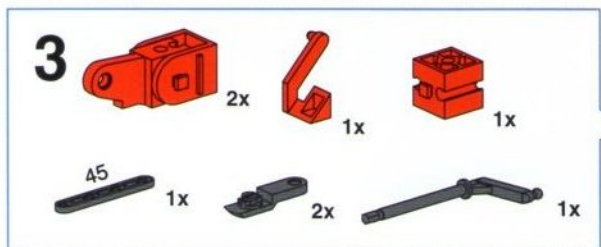
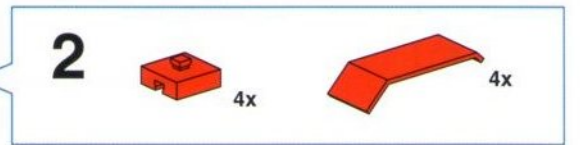
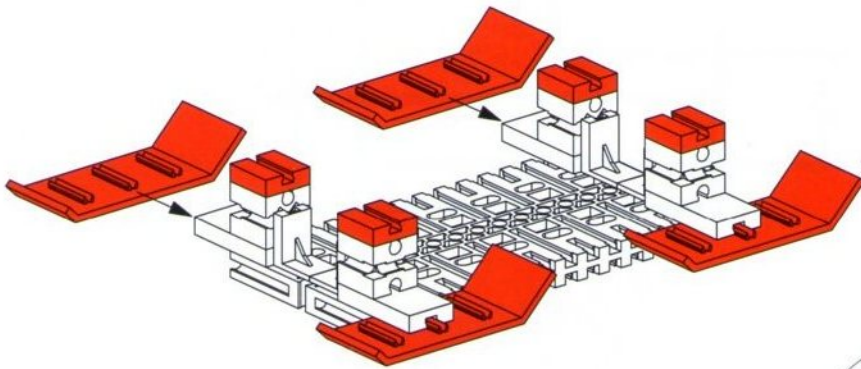
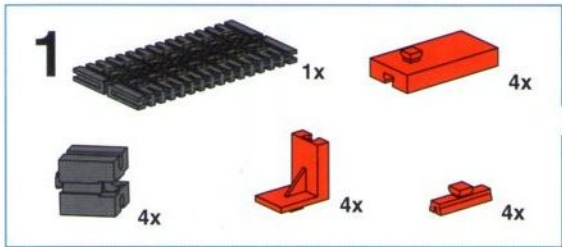
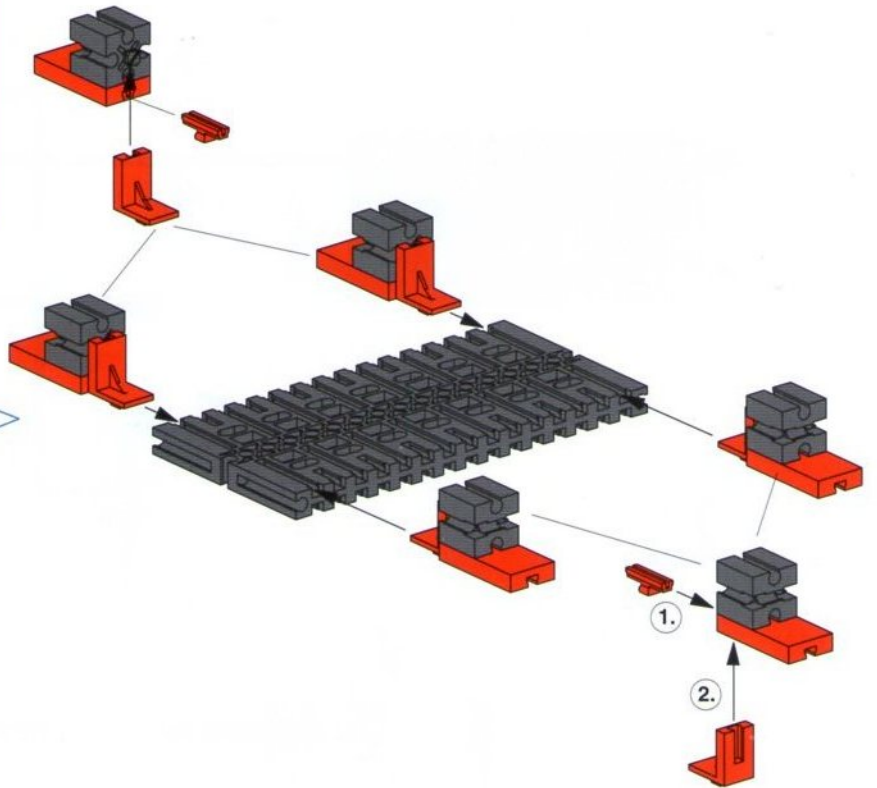
Schlauchanschlussplan  
Air line layout plan  
Plan de raccordement de conduits

Aansluitschema van slang  
Racor de empalme  
Plano de conexão de mangueira

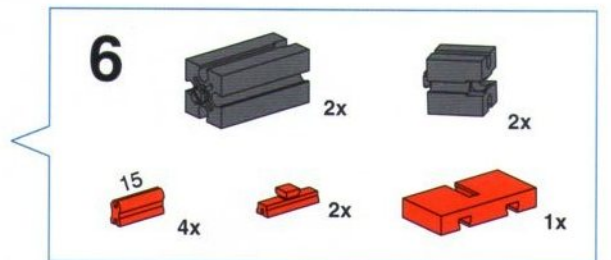
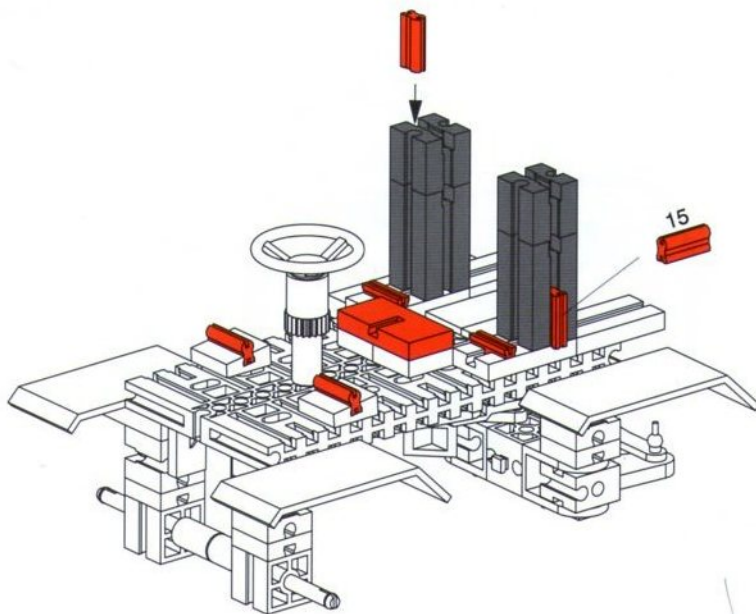
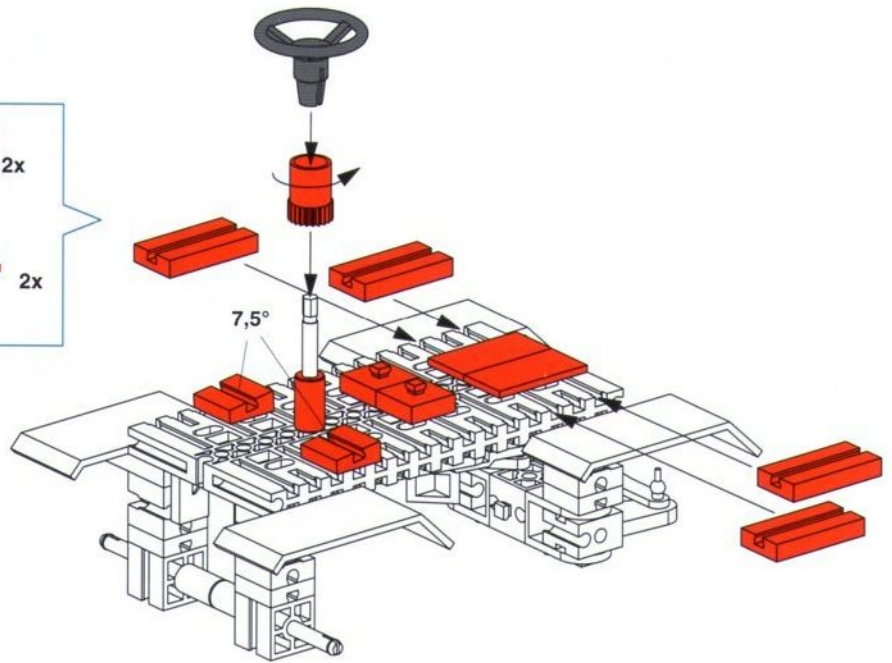
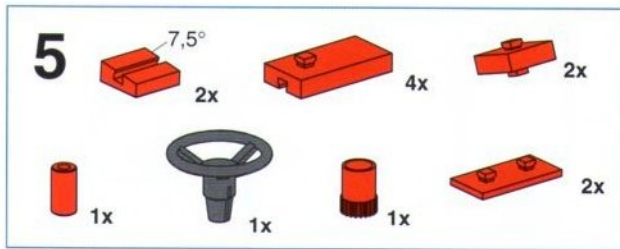
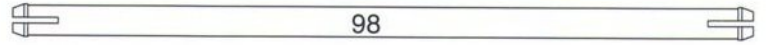
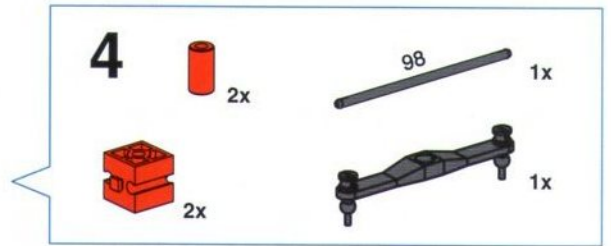
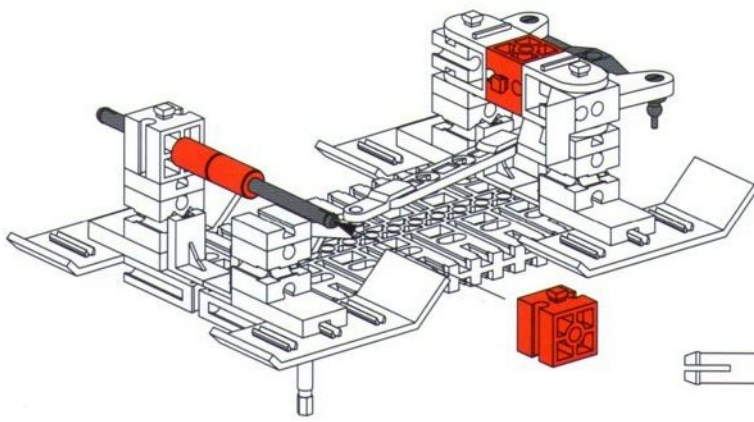


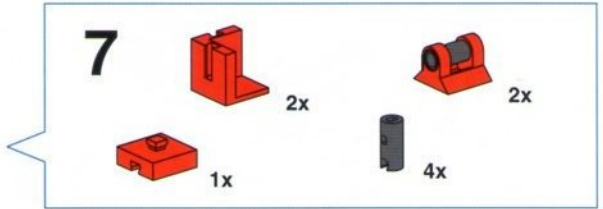
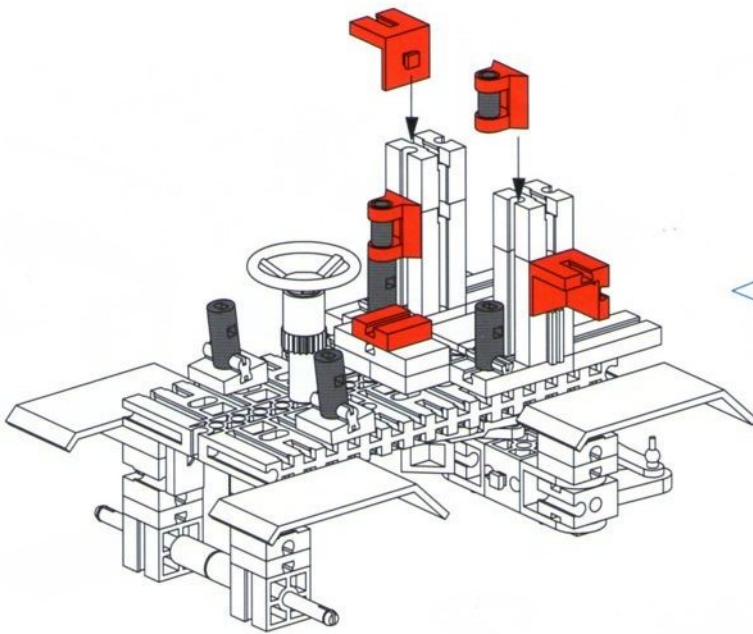
Fahrgestell  
Chassis  
Châssis

Chassis  
Chasis  
Chassi

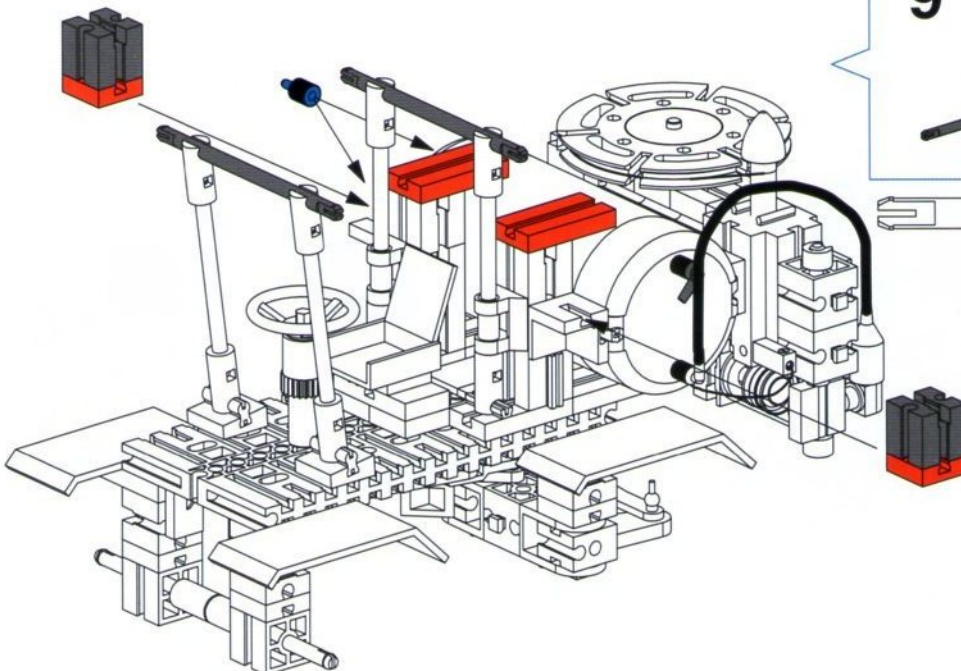
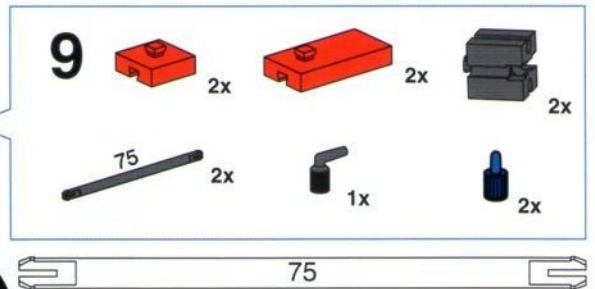
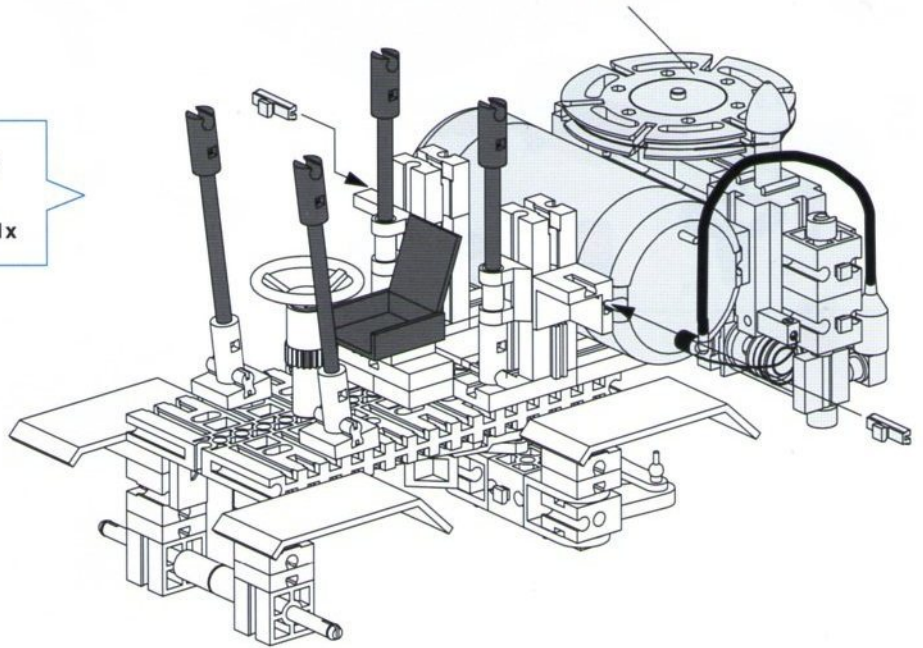
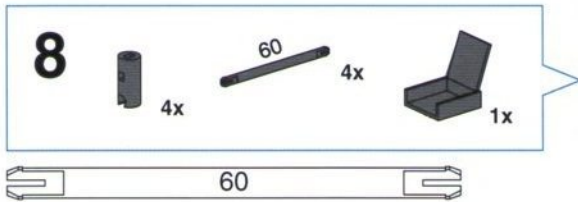


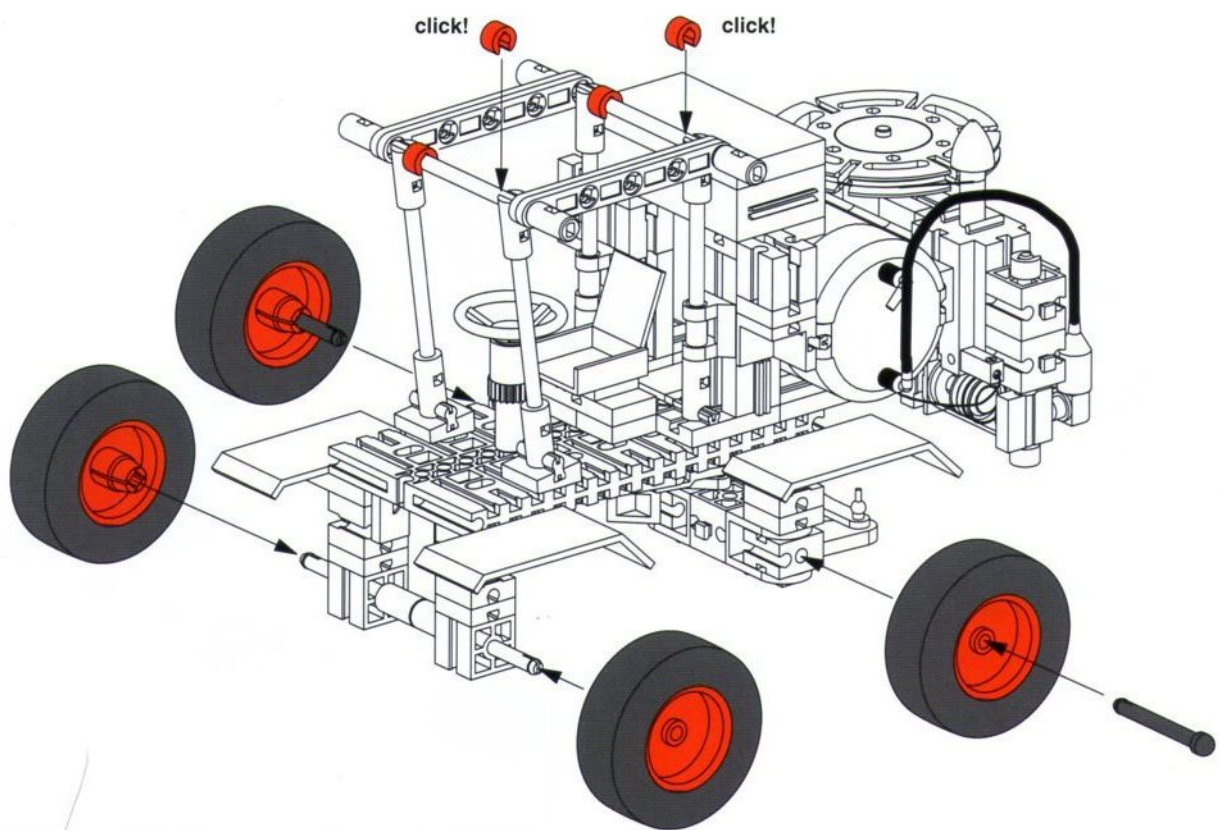
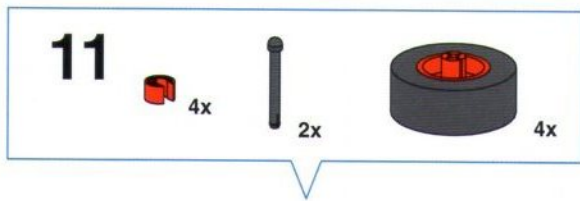
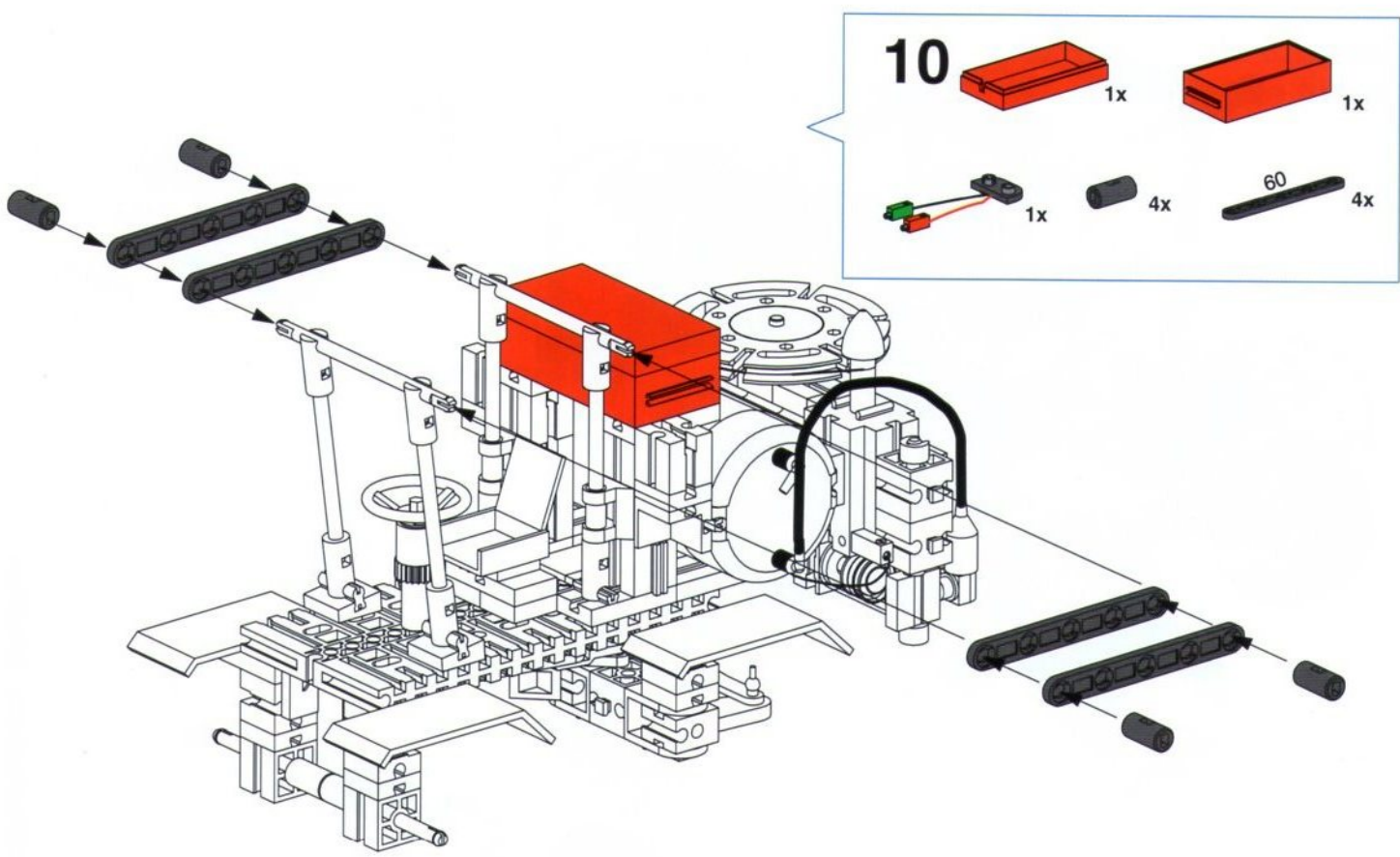


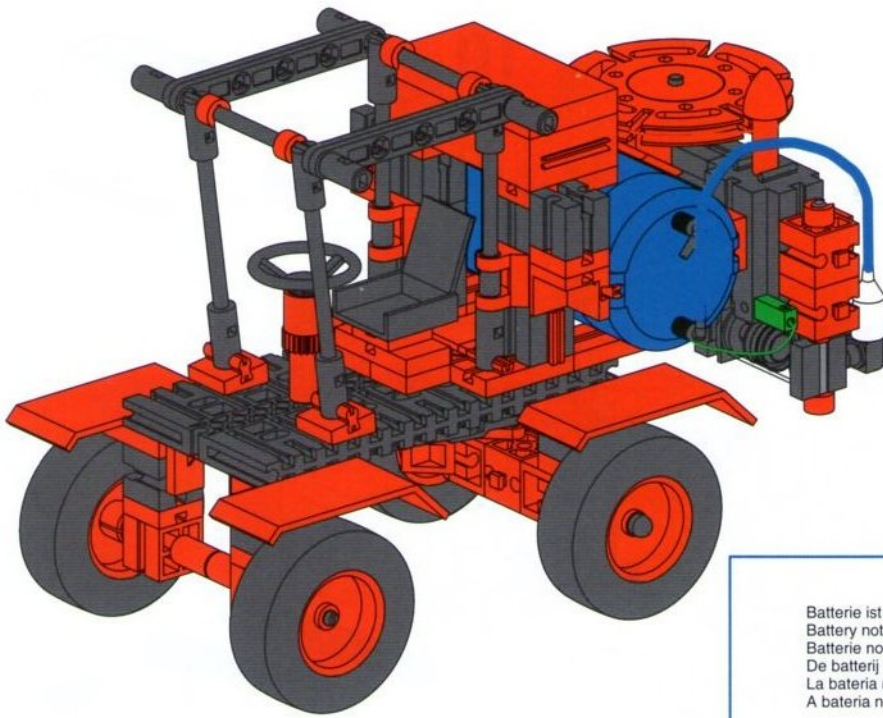




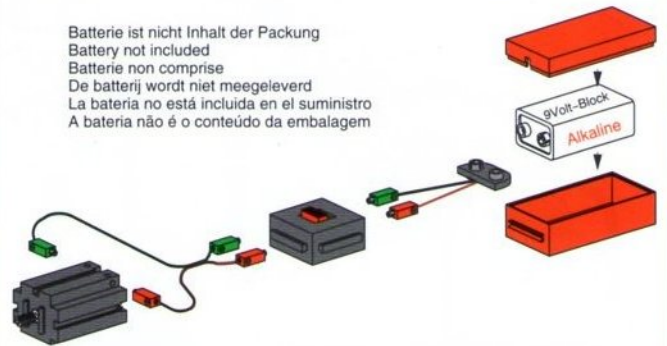
Kompressor Seite 11  
 Compressor Page 11  
 Compresseur Page 11  
 Compressor Bladzijde 11  
 Compressor Página 11  
 Compressor Página 11



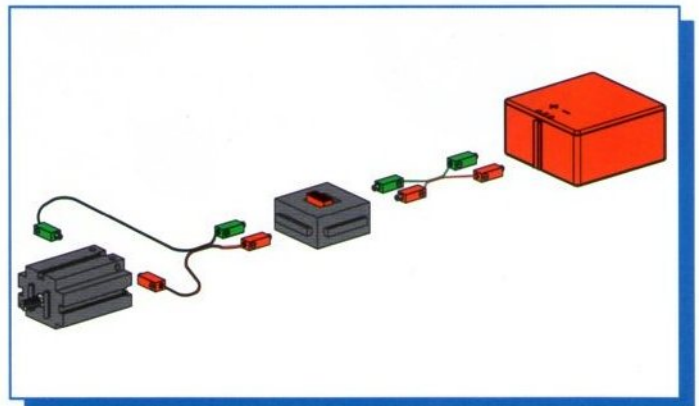
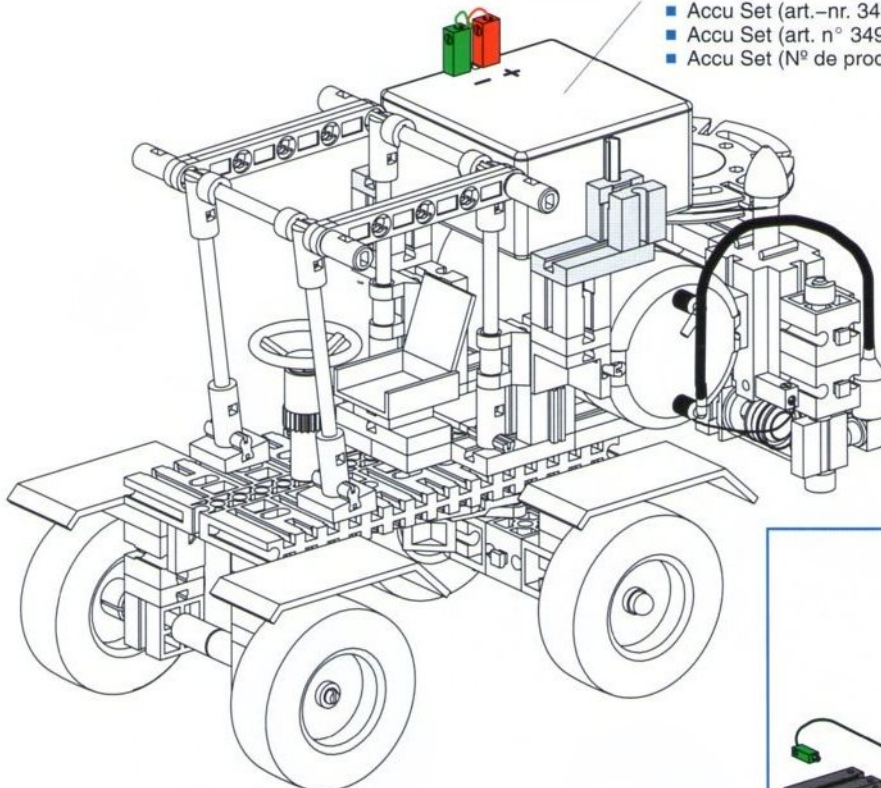




Batterie ist nicht Inhalt der Packung  
 Battery not included  
 Batterie non comprise  
 De batterij wordt niet meegeleverd  
 La batería no está incluida en el suministro  
 A bateria não é o conteúdo da embalagem



- Accu Set (Art.-Nr. 34969) nicht im Baukasten enthalten
- Accu Set (Art. No. 34969) not included in the modular kit
- Accu Set (réf. 34969) n'est pas contenue dans le kit
- Accu Set (art.-nr. 34969) niet in de bouwdoos opgenomen
- Accu Set (art. n° 34969) no está incluido en el conjunto
- Accu Set (Nº de prod. 34969) não contido no sistema de construção por blocos



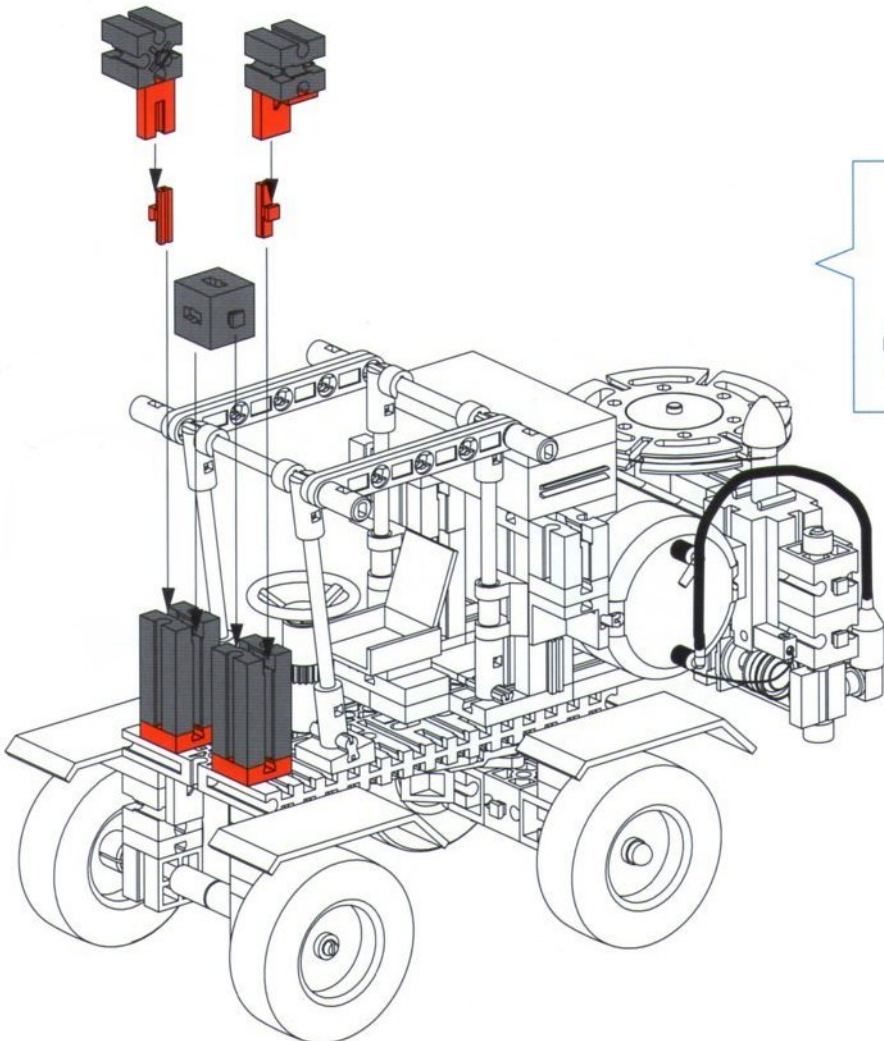


Rohrleger  
 Pipelayer  
 Pose de conduites







Buizenleginstallatie  
 Tendedor de tuberías  
 Assentador de tubos

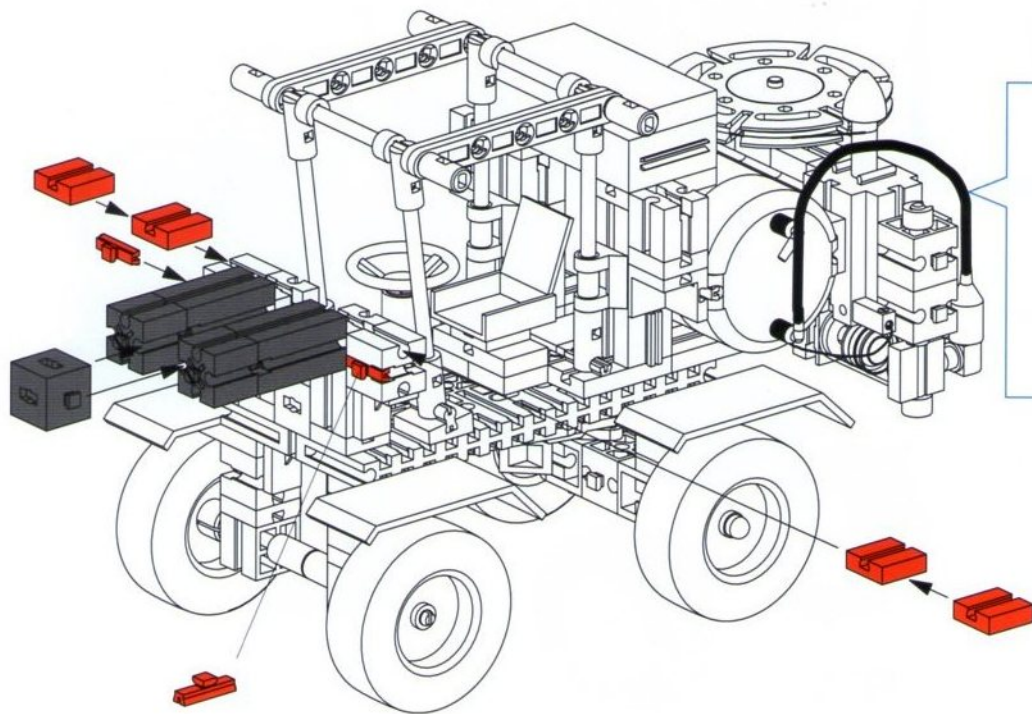
1-11

Seite 30  
 Page 30  
 Page 30  
 Bladzijde 30  
 Página 30  
 Pagina 30



**12**

-  2x
-  2x
-  1x
-  2x
-  2x
-  2x

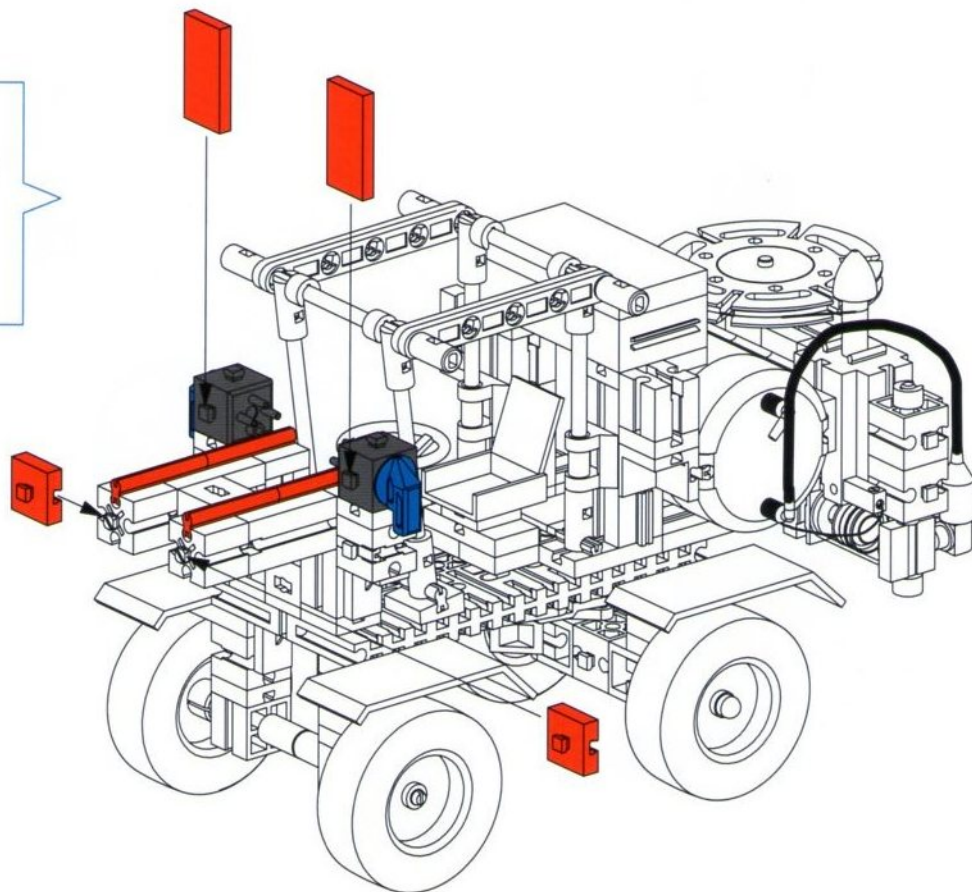


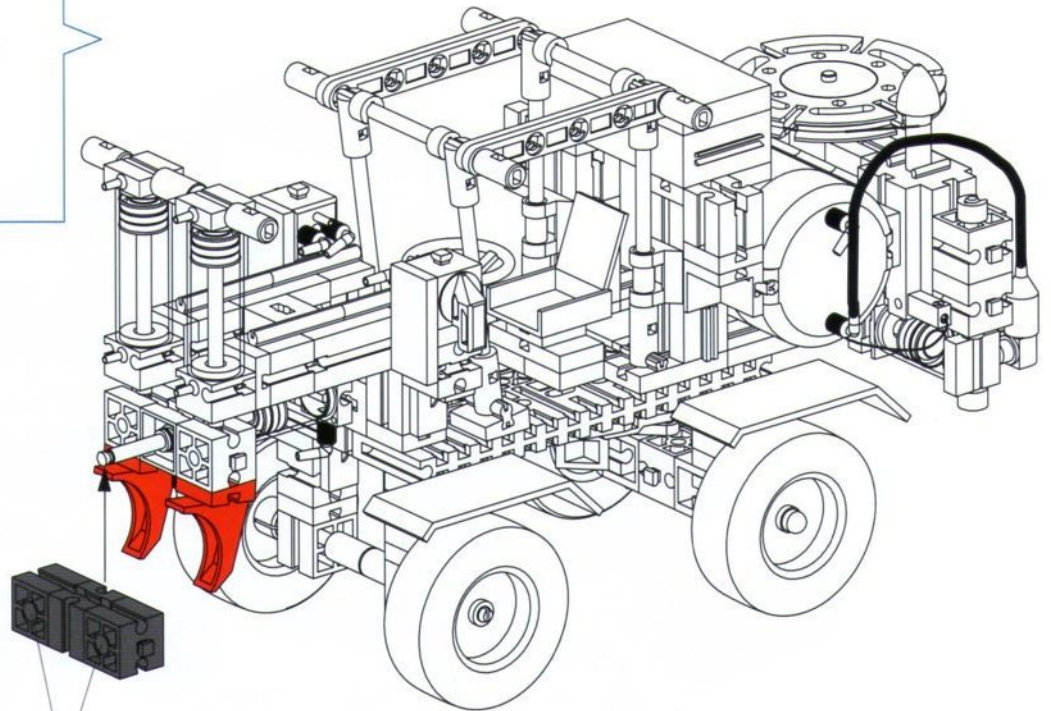
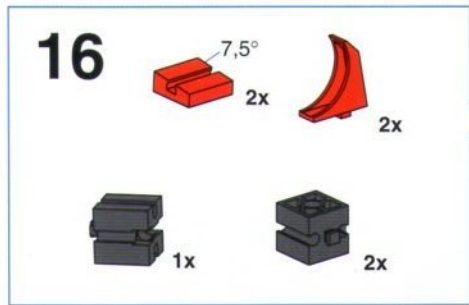
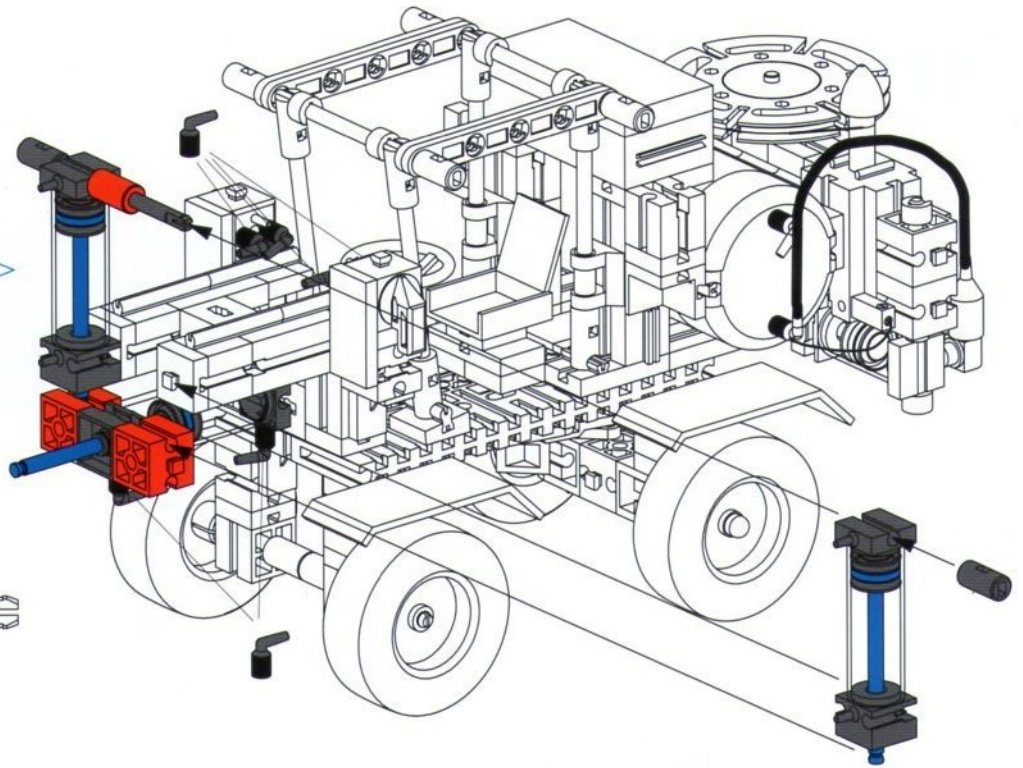
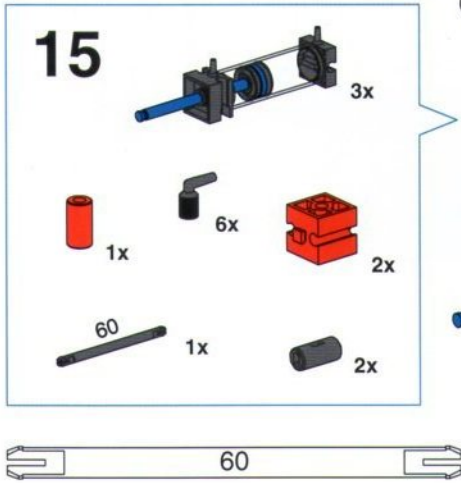
**13**

- 2x [Black 1x3 Technic Beam]
- 2x [Black 1x3 Technic Beam with Groove]
- 1x [Black 1x3 Technic Pin]
- 4x [Red 1x3 Technic Pin]
- 2x [Red 1x3 Technic Pin with Groove]

**14**

- 2x [Blue 1x3 Technic Pin]
- 2x [Red 1x3 Technic Pin]
- 2x [Red 1x3 Technic Pin with Groove]
- 4x [Red 30 Technic Pin]





Große Bohrung  
Large drilling  
Alésage large  
Grote boring  
Perforación grande  
Orificio grande

**17**

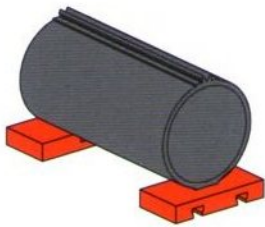
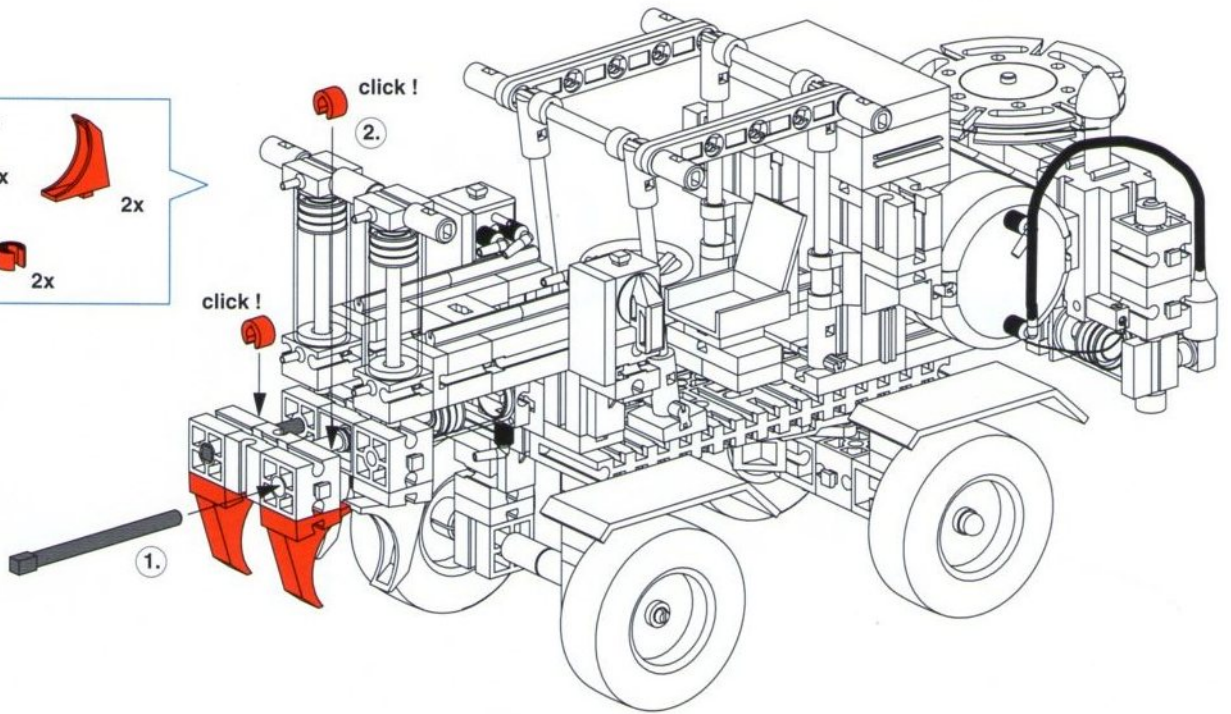
7,5° 2x

2x

2x

2x

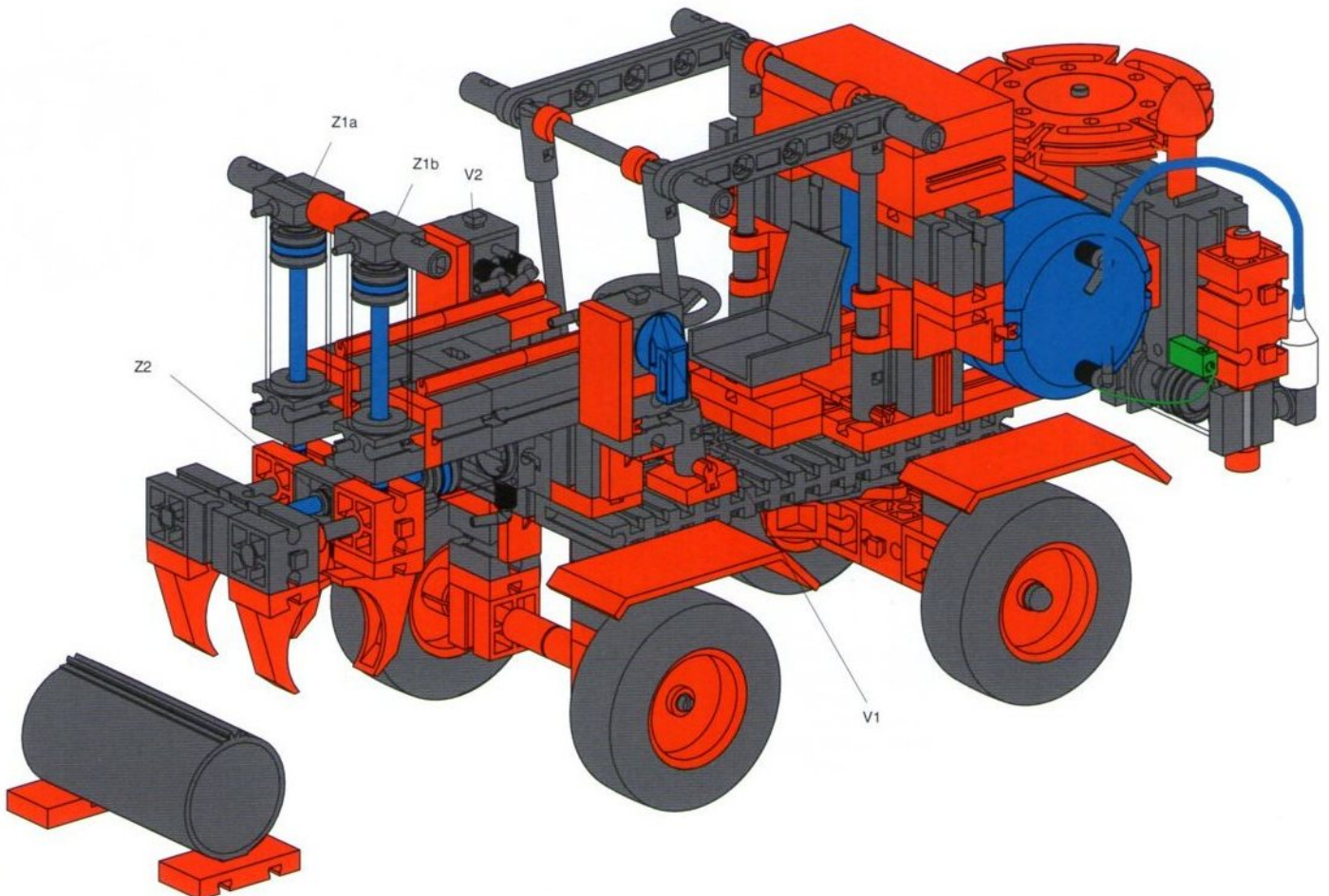
2x



**18**

1x

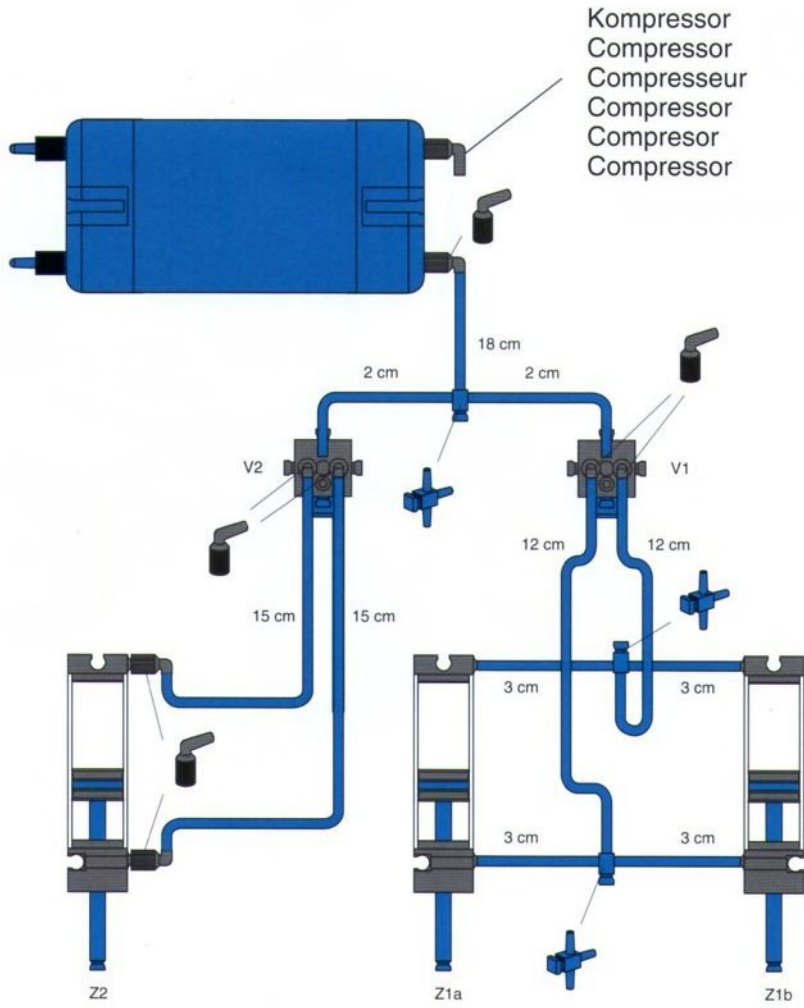
2x





Schlauchanschlussplan  
Air line layout plan  
Plan de raccordement de conduits

Aansluitschema van slang  
Racor de empalme  
Plano de conexão de mangueira



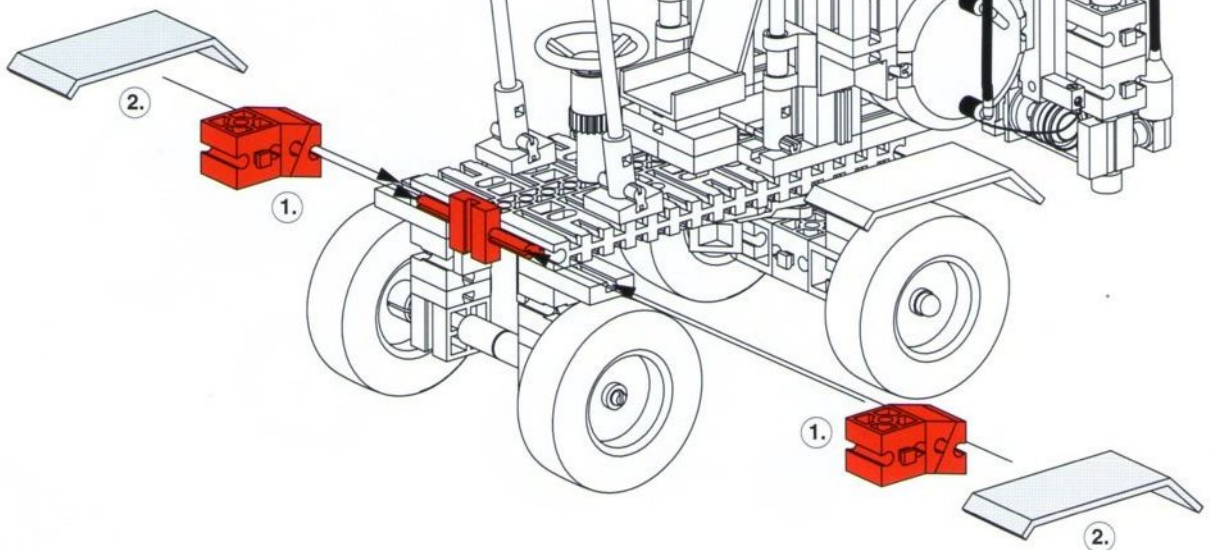
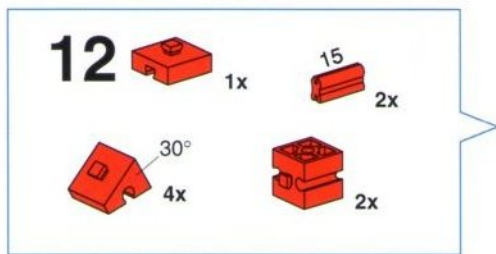


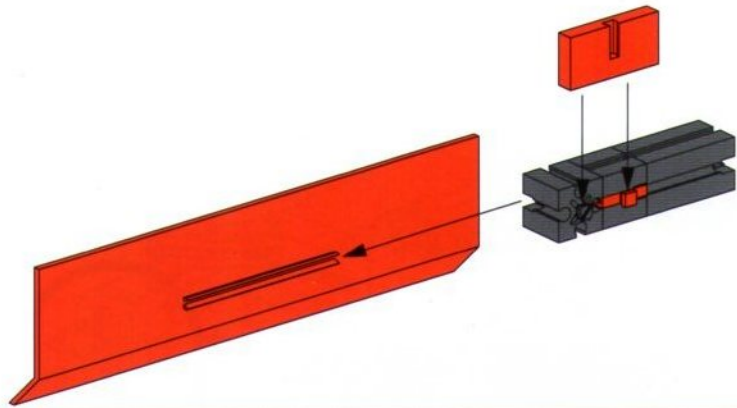
Schneepflug  
Snowplow  
Chasse-neige

Sneeuwruimer  
Quitanieves  
Limpa-neve

1-11

Seite	30
Page	30
Page	30
Bladzijde	30
Página	30
Pagina	30





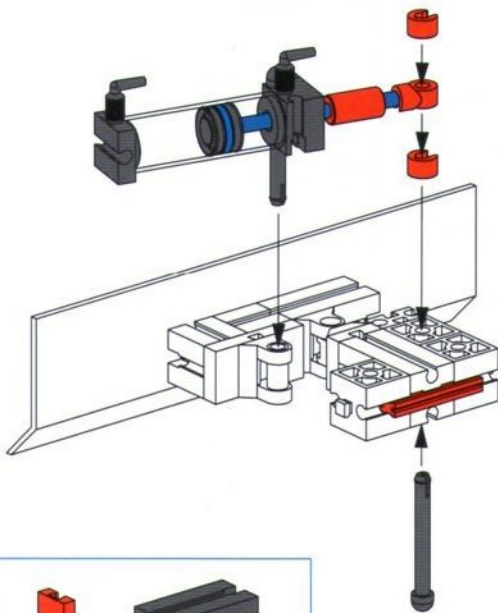
**13**

1x [Red Technic Beam 1x10] 1x [Grey Technic Axle Connector 1x10] 1x [Red Technic Pin 1x10] 1x [Red Technic Pin 1x10] 2x [Grey Technic Axle Connector 1x10] 1x [Red Technic Pin 1x10]

**14**

1x [Red Technic Pin 1x10] 1x [Red Technic Pin 1x10] 1x [Red Technic Pin 1x10] 1x [Grey Technic Axle Connector 1x10] 1x [Red Technic Pin 1x10] 1x [Red Technic Pin 1x10] 2x [Grey Technic Axle Connector 1x10]

Große Bohrung  
Large drilling  
Alésage large  
Grote boring  
Perforación grande  
Orificio grande



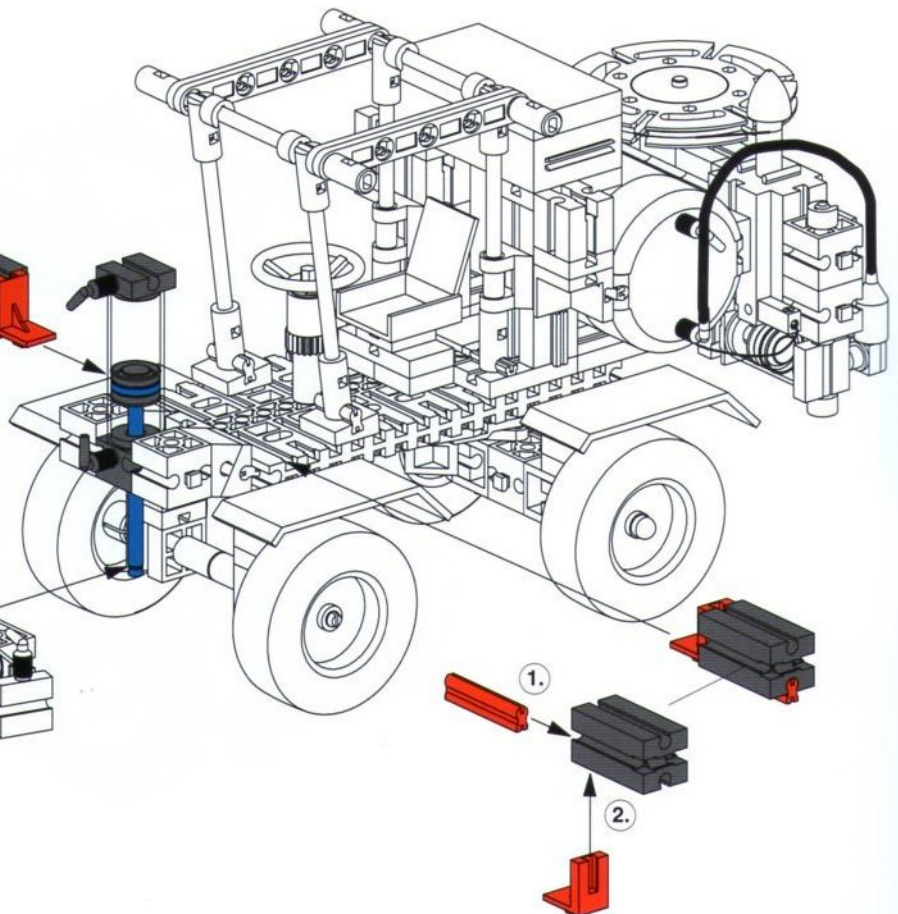
**15**







1x [Grey Technic Axle Connector 1x10] 1x [Red Technic Pin 1x10] 1x [Red Technic Pin 1x10] 2x [Red Technic Pin 1x10] 2x [Red Technic Pin 1x10] 2x [Red Technic Pin 1x10] 1x [Red Technic Beam 1x10]

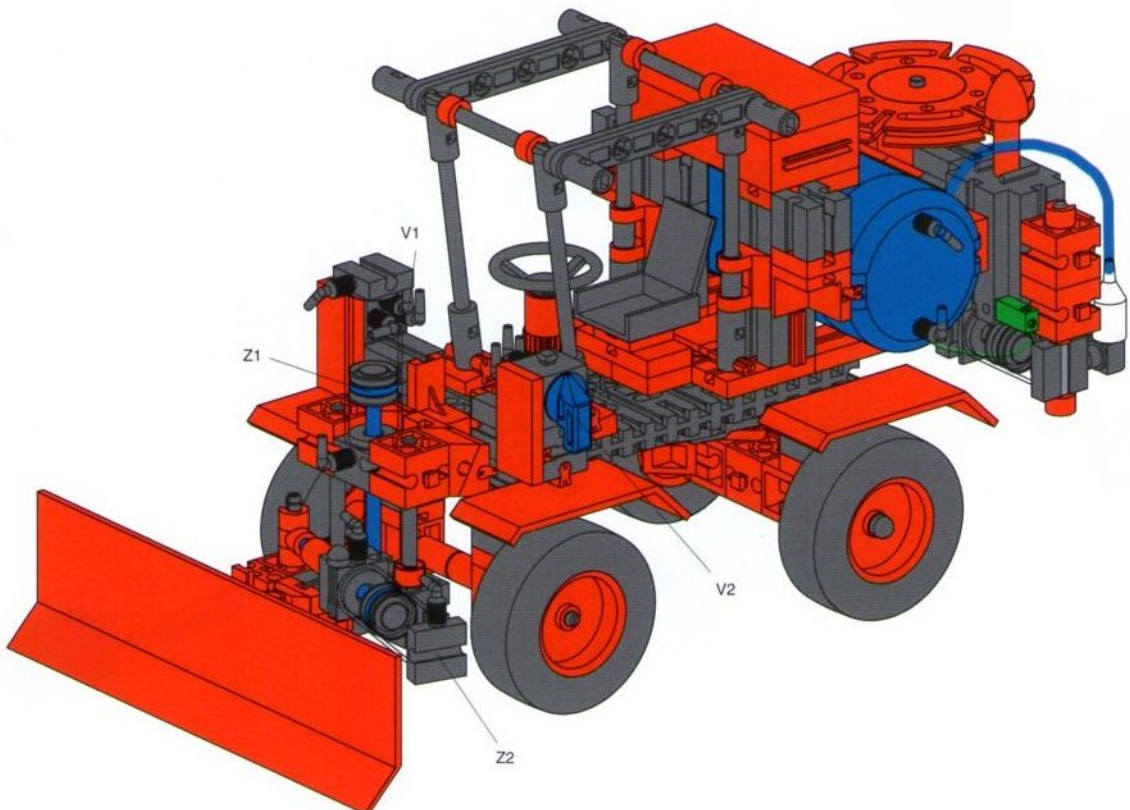
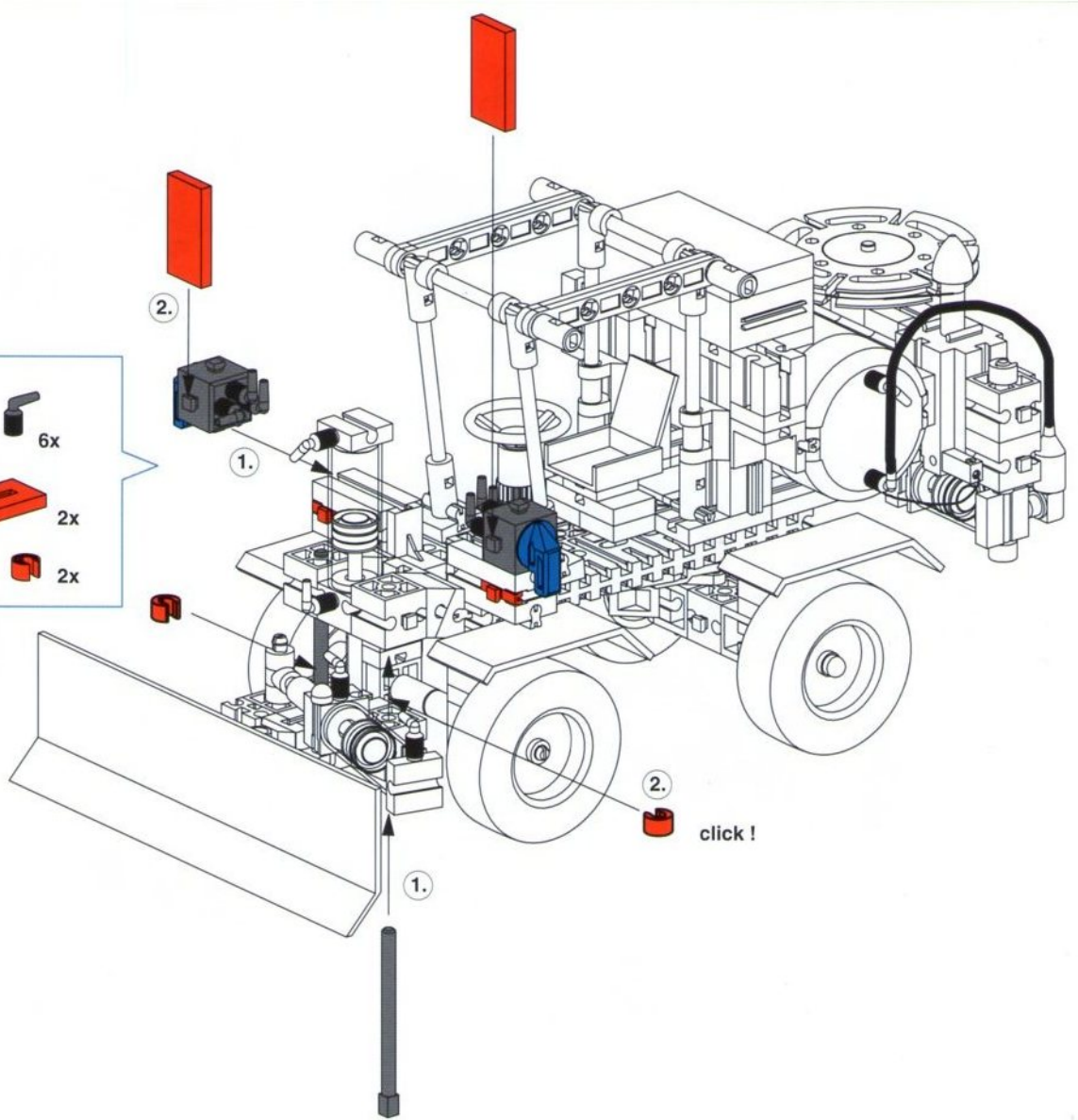
**16**

2x [Red Technic Pin 1x10] 2x [Grey Technic Axle Connector 1x10] 2x [Red Technic Pin 1x10] 1x [Grey Technic Axle Connector 1x10] 2x [Red Technic Beam 1x10]

**15**

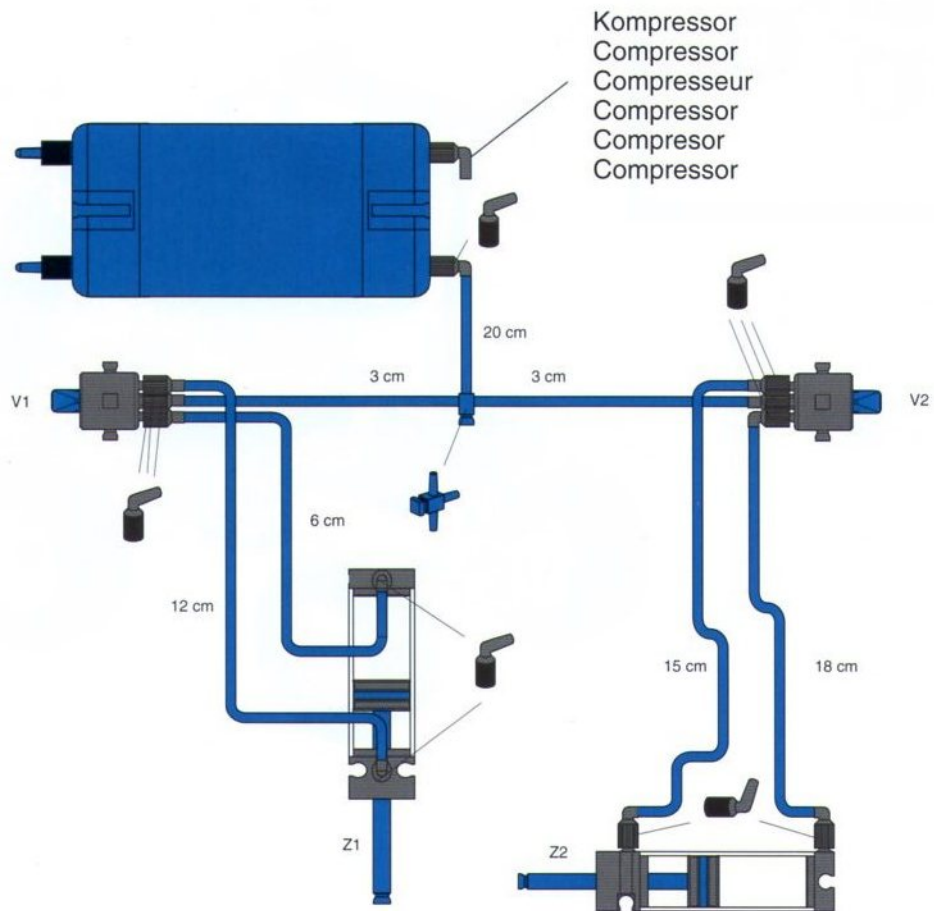


- 17**
-  2x
  -  6x
  -  2x
  -  2x
  -  2x
  -  2x



Schlauchanschlussplan  
Air line layout plan  
Plan de raccordement de conduits

Aansluitschema van slang  
Racor de empalme  
Plano de conexão de mangueira



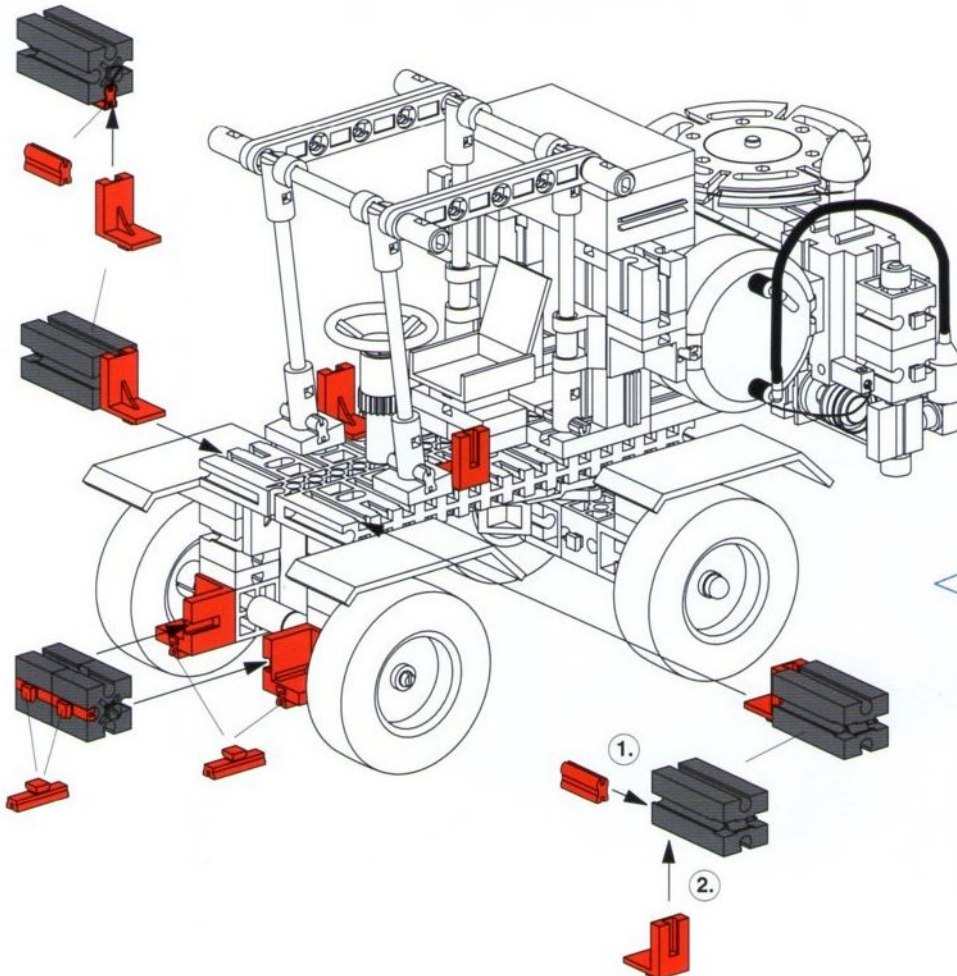
Schauffelader  
Shovel Loader  
Pelleteuse

Graafmachine  
Cargadora de pala  
Pá-carregadora



1-11

Seite 30  
Page 30  
Page 30  
Bladzijde 30  
Página 30  
Pagina 30



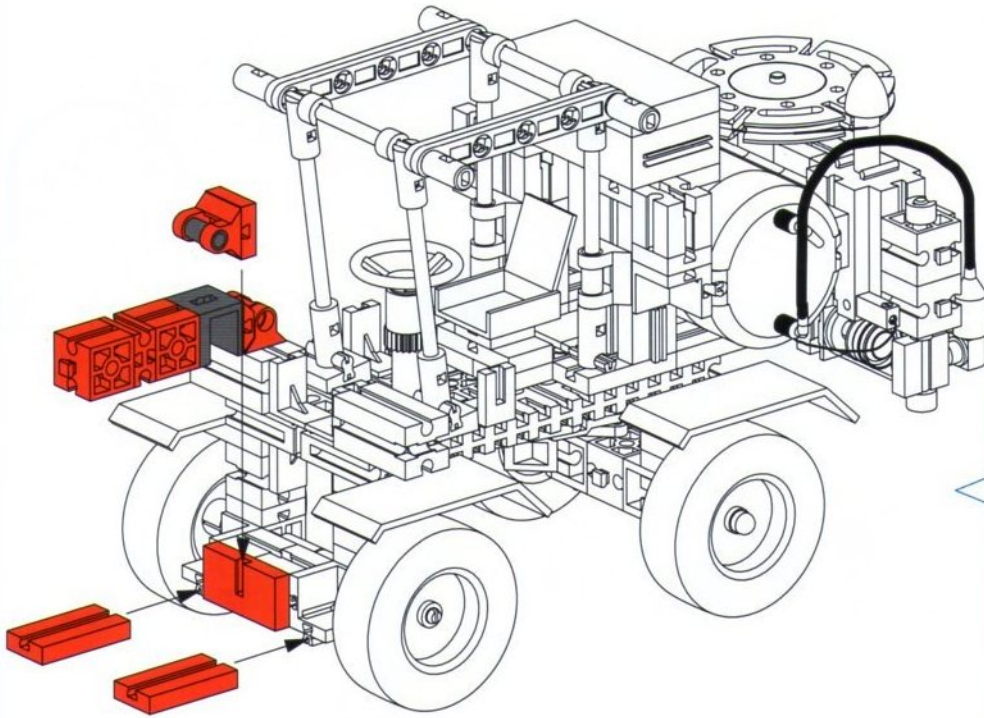
**12**

	2x		4x
	1x		1x
	2x		4x

15

1.

2.



**13**

- 1x Red 1-way connector
- 1x Grey 1-way connector
- 2x Red 1-way connector
- 1x Red 1-way connector
- 2x Red 1-way connector
- 1x Red 1-way connector
- 1x Red 1-way connector
- 1x Red 1-way connector

**14**

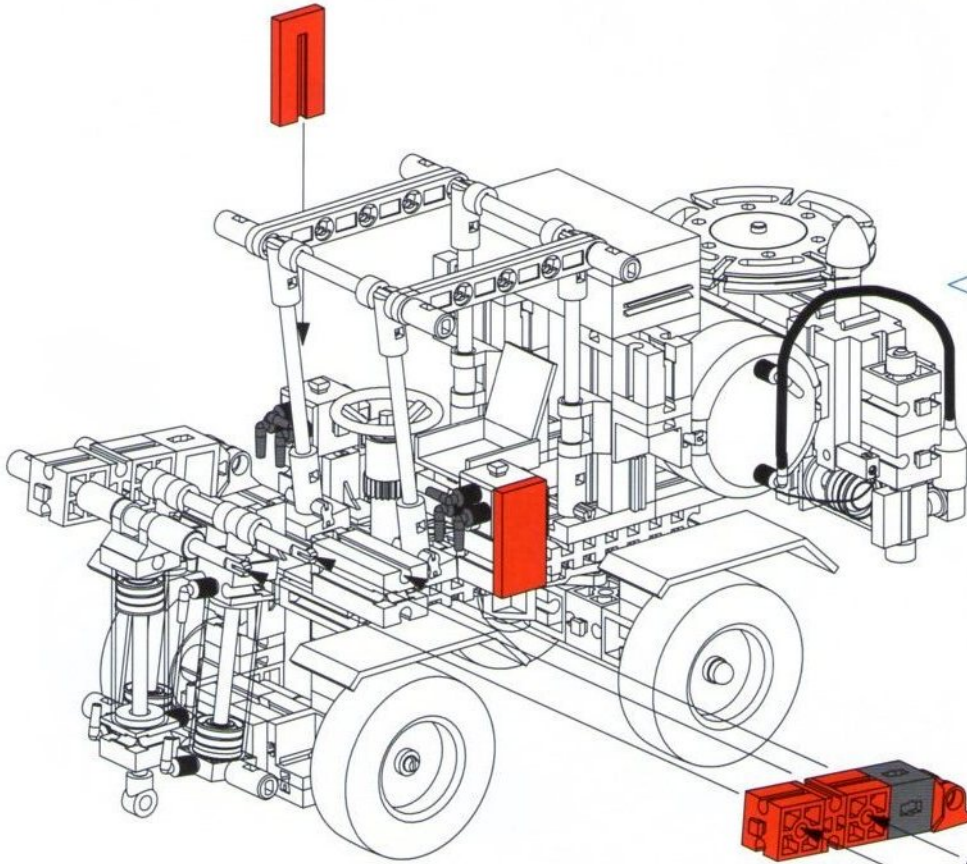
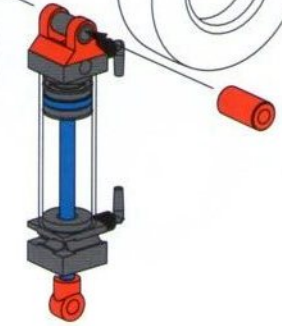
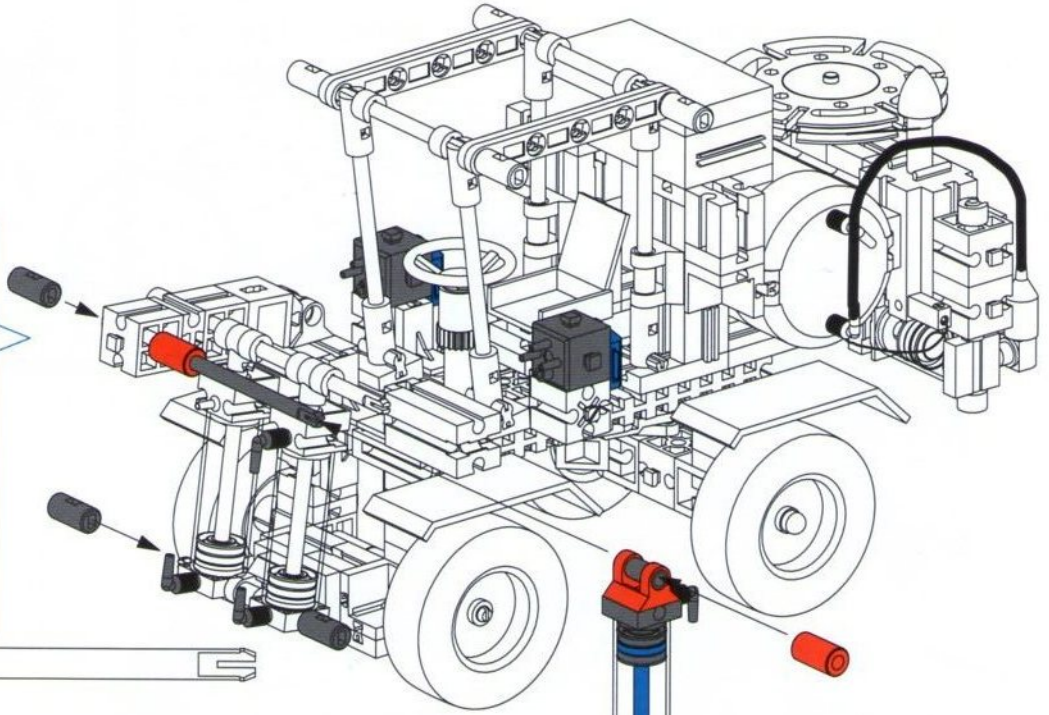
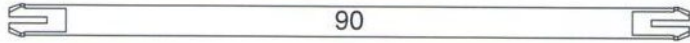
- 2x Blue axle assembly
- 2x Red bush
- 4x Red bush
- 1x Grey bush
- 2x Grey bush
- 1x 90mm Black axle
- 1x 60mm Black axle

60

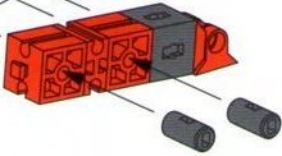
90

60

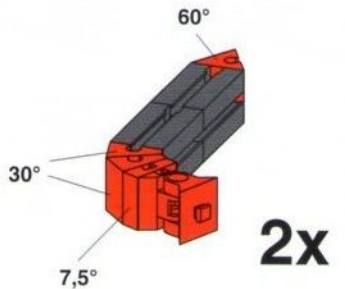
- 15**
- 2x [Blue Technic Connector]
  - 5x [Black Technic Pin]
  - 1x [Black Technic Axle]
  - 1x [Red Technic Pin]
  - 2x [Red Technic Pin]
  - 1x [Red Technic Connector]
  - 90 [Black Technic Axle]
  - 1x [Black Technic Pin]
  - 3x [Black Technic Pin]
  - 1x [Red Technic Connector]



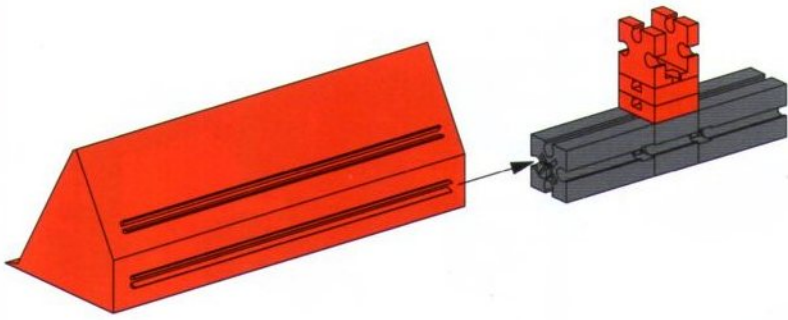
- 16**
- 2x [Red Technic Beam]
  - 6x [Black Technic Pin]
  - 1x [Red Technic Connector]
  - 2x [Red Technic Connector]
  - 1x [Red Technic Connector]
  - 1x [Black Technic Connector]
  - 2x [Black Technic Pin]



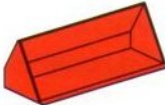




- 17**
- 4x [Black Technic Beam]
  - 2x [Red Technic Connector]
  - 2x [Red Technic Connector, 60°]
  - 4x [Red Technic Connector, 30°]
  - 2x [Red Technic Connector, 7.5°]







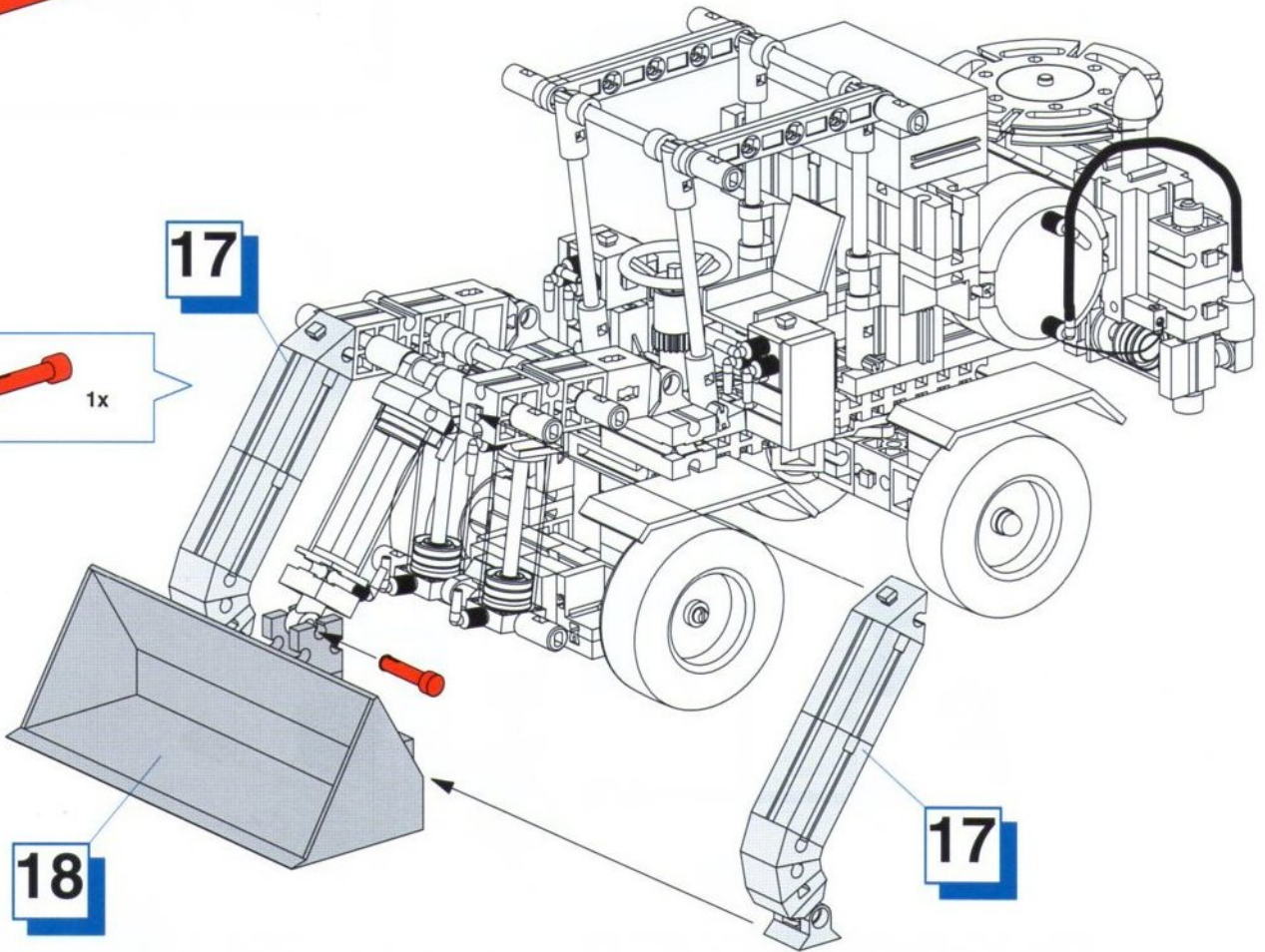
**18**

	1x		2x
	1x		2x
			1x

**19**

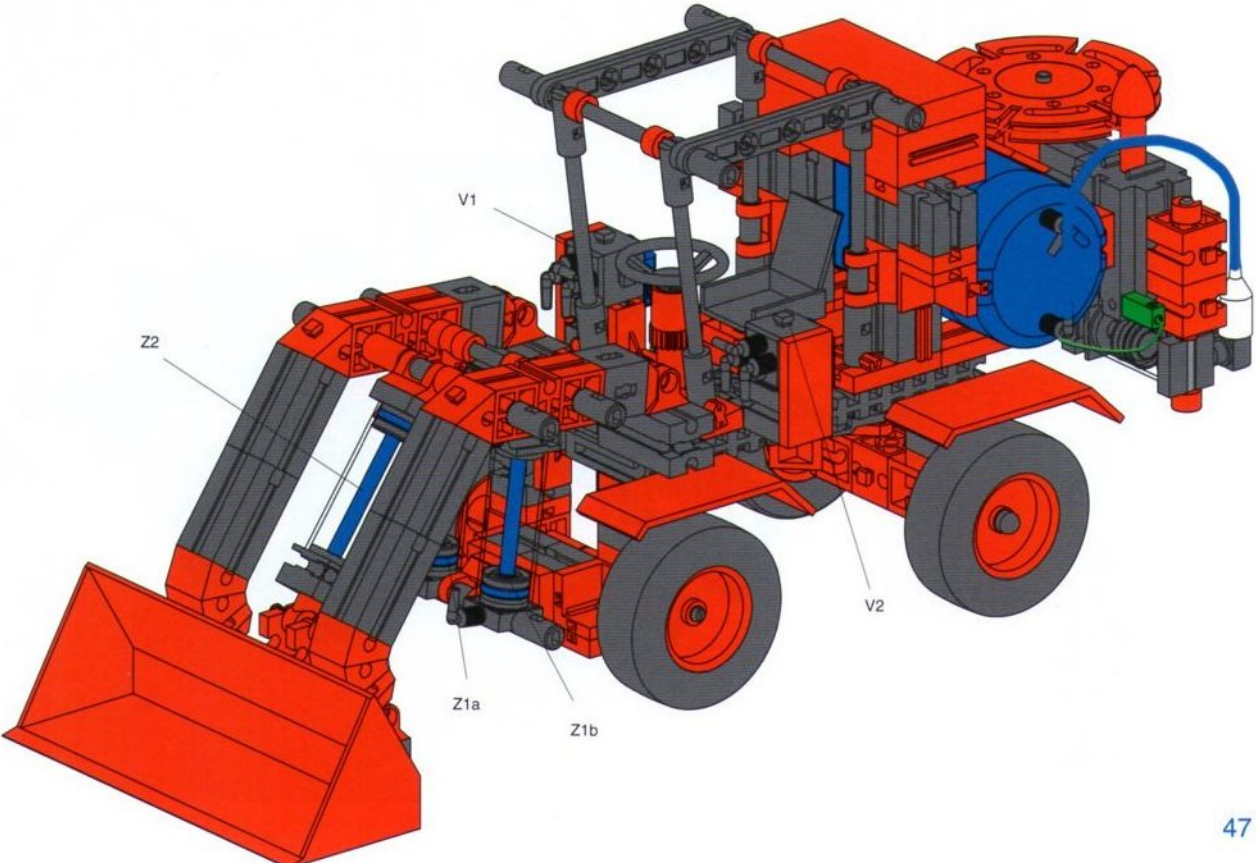


1x



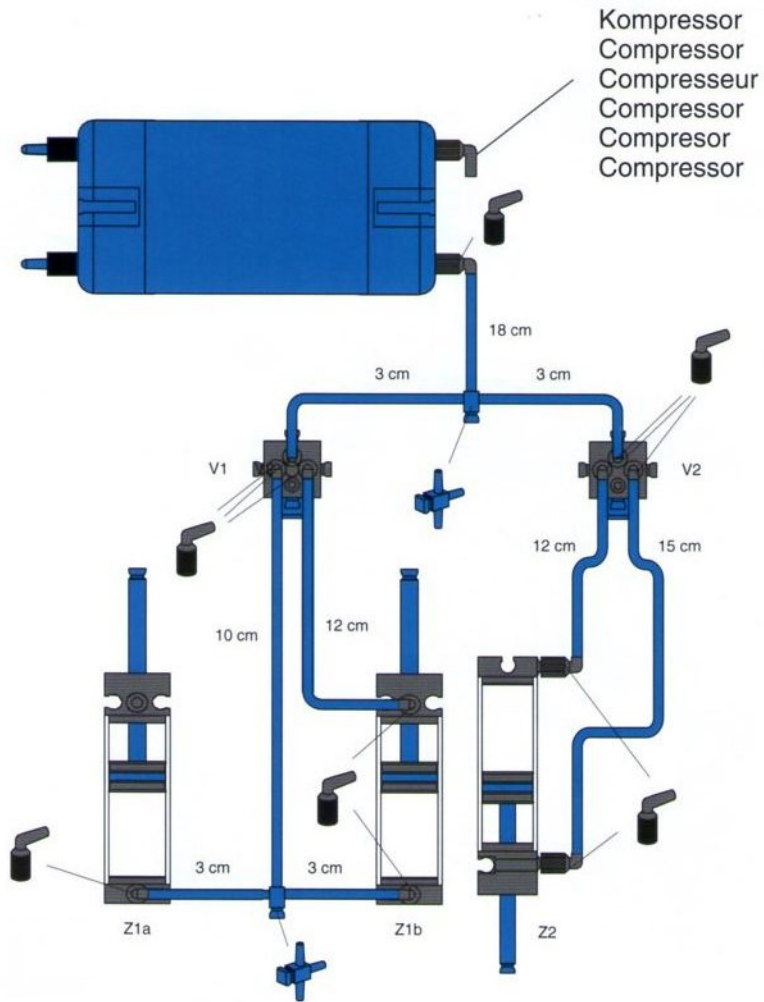
**18**

**17**



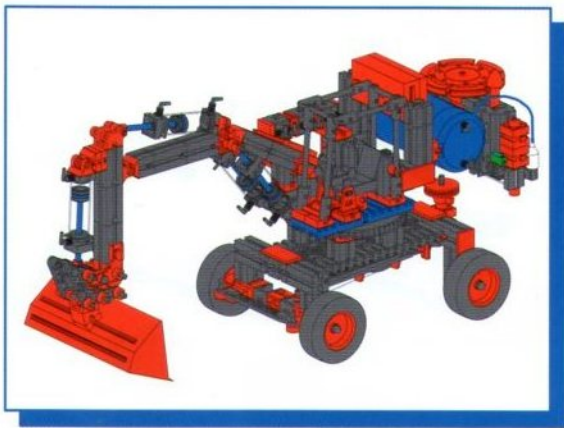
Schlauchanschlussplan  
Air line layout plan  
Plan de raccordement de conduits

Aansluitschema van slang  
Racor de empalme  
Plano de conexão de mangueira



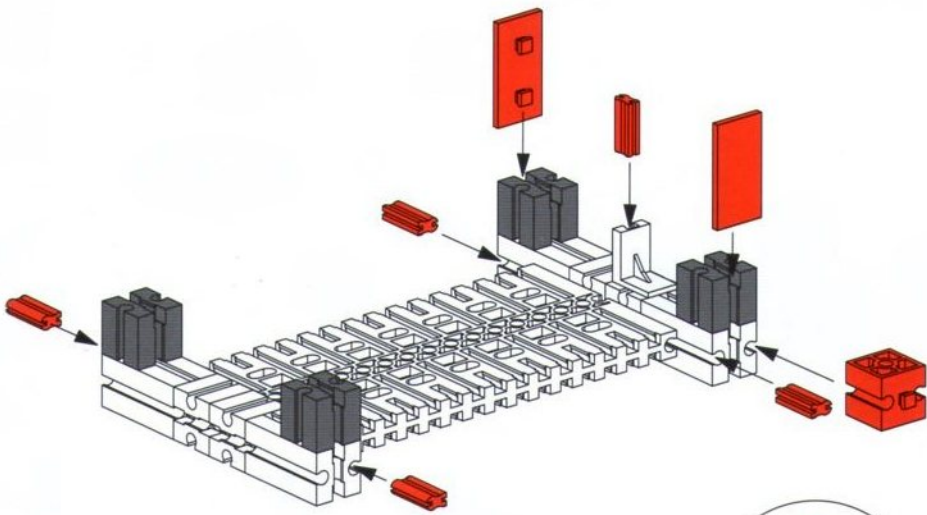
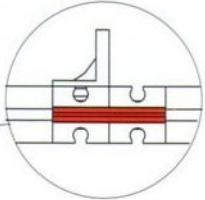
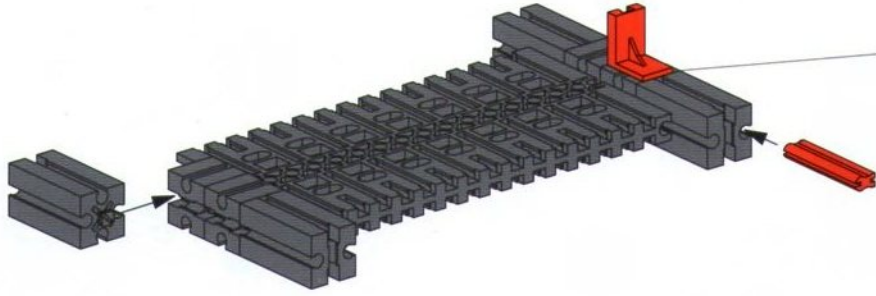
Bagger  
Excavator  
Excavateur

Bagger  
Excavadora  
Escavadora



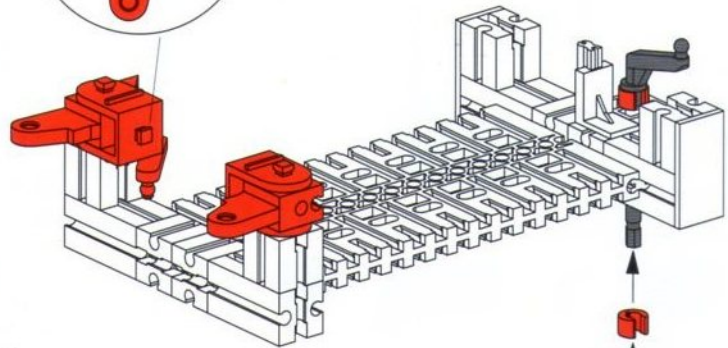
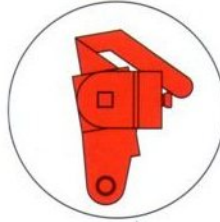
**1**

- 1x (1x black Technic beam 11 holes)
- 1x (1x red Technic L-shaped connector)
- 4x (4x grey Technic axle pins)
- 4x (4x grey Technic axle pins)
- 1x (1x red Technic axle pin 30)
- 1x (1x red Technic axle pin 15)



**2**

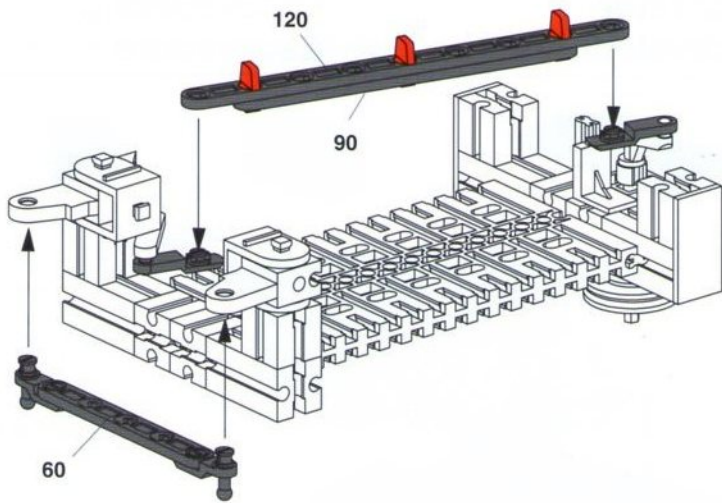
- 4x (4x grey Technic axle pins)
- 1x (1x red Technic axle pin 15)
- 2x (2x red Technic axle pins 15)
- 5x (5x red Technic axle pins 15)



**3**

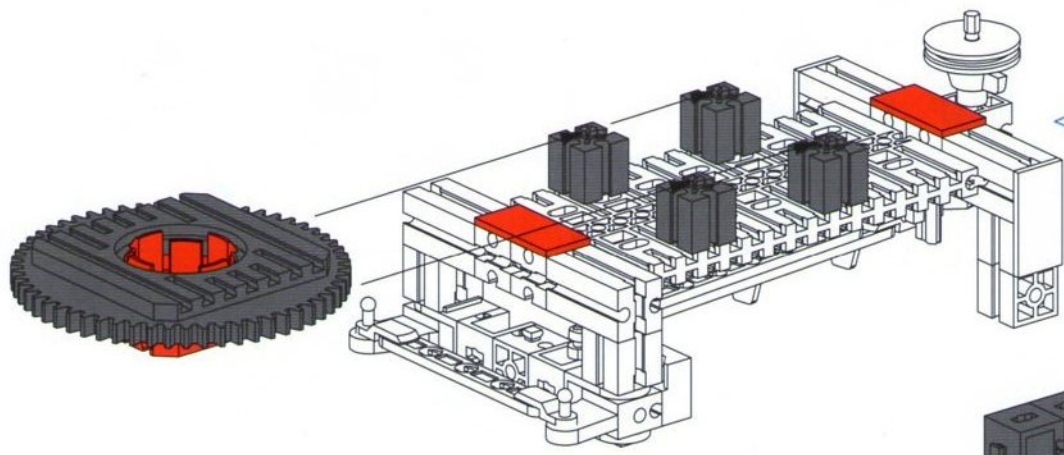
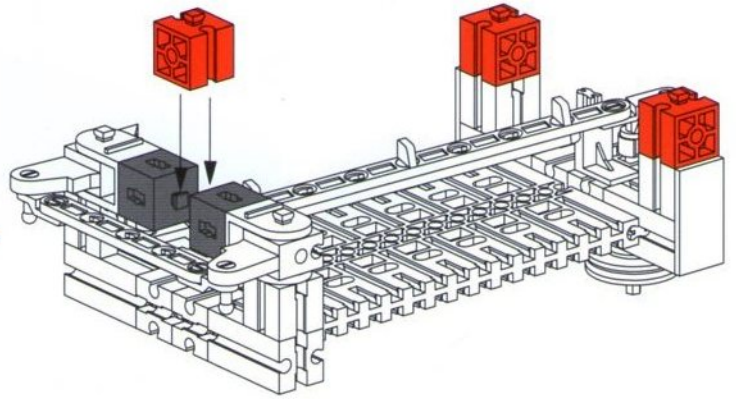
- 2x (2x red Technic axle pins 15)
- 1x (1x red Technic L-shaped connector)
- 2x (2x red Technic axle pins 15)
- 1x (1x red Technic axle pin 15)
- 1x (1x red Technic axle pin 15)
- 1x (1x grey Technic axle pin 15)





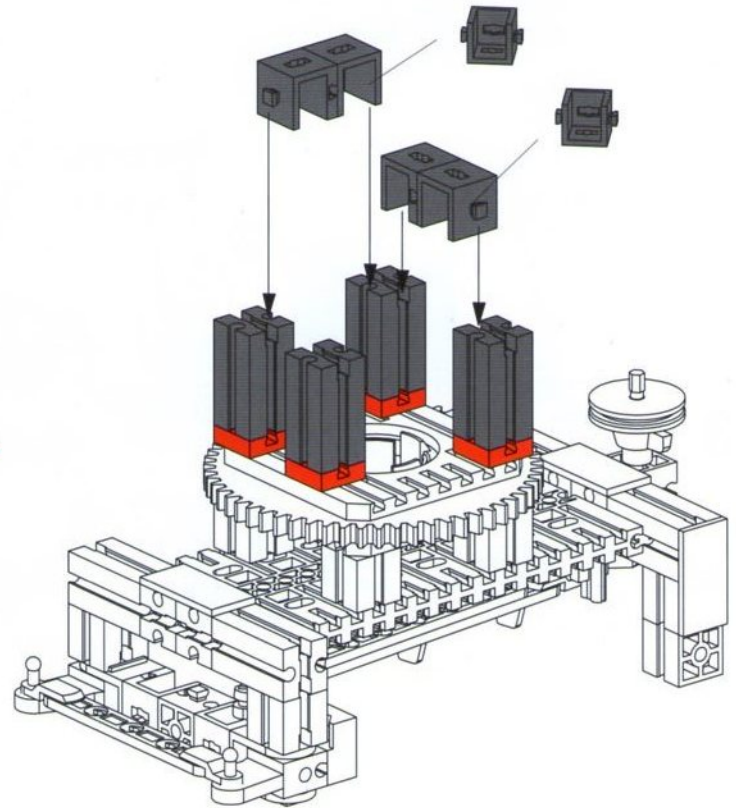
- 4**
- 2x [Black Technic Pin]
  - 3x [Red Technic Pin]
  - 1x [Black Technic Beam 60]
  - 2x [Black Technic Pin]
  - 1x [Black Technic Beam 90]
  - 1x [Black Technic Beam 120]

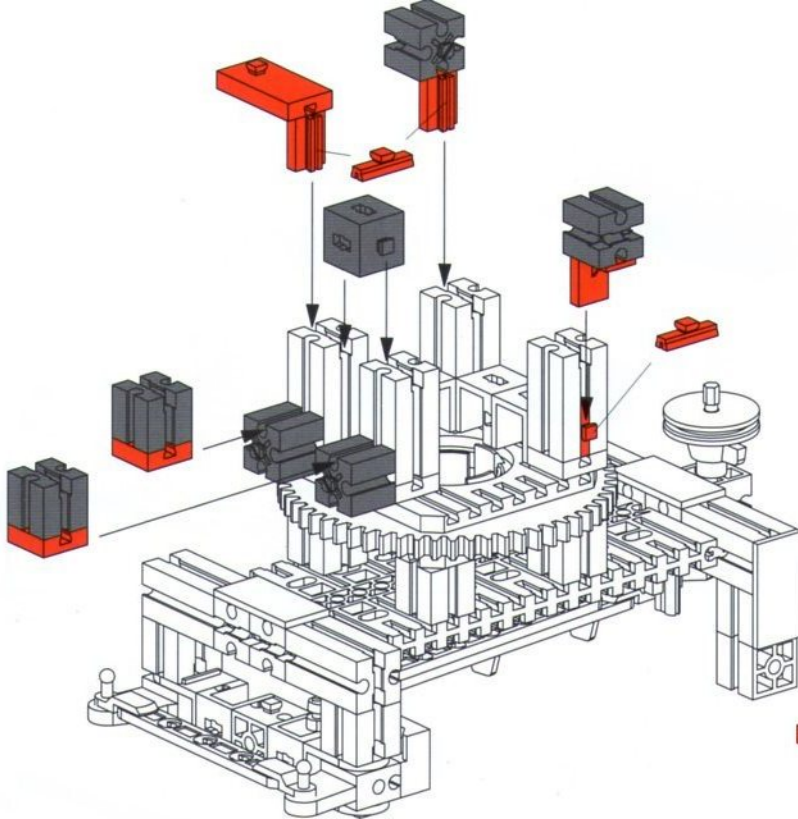
- 5**
- 3x [Red Technic Brick 2x3]
  - 2x [Black Technic Brick 2x3]



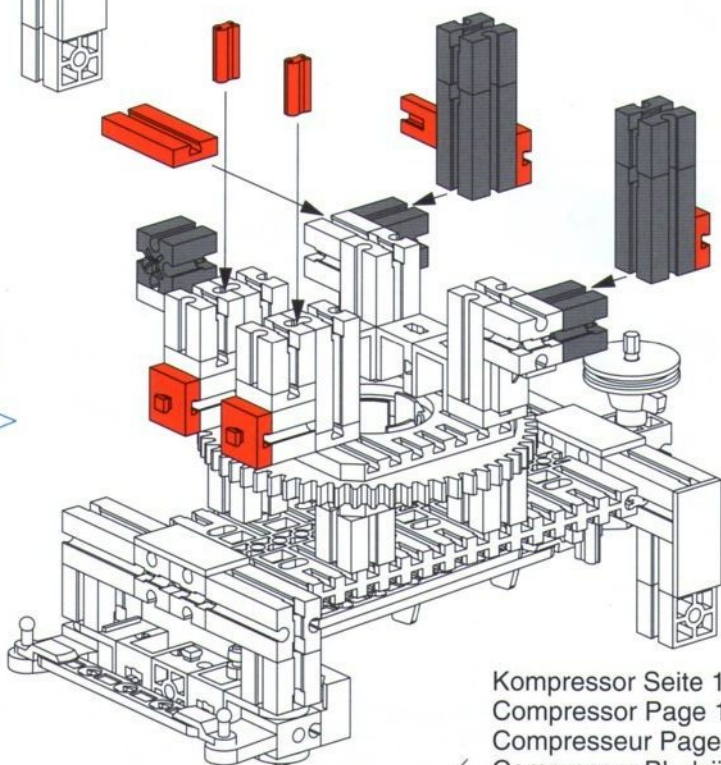
- 6**
- 1x [Grey Gear]
  - 4x [Black Technic Pin]
  - 2x [Red Technic Pin]

- 7**
- 4x [Black Technic Pin]
  - 4x [Red Technic Pin]
  - 2x [Black Technic Pin]
  - 2x [Black Technic Pin]



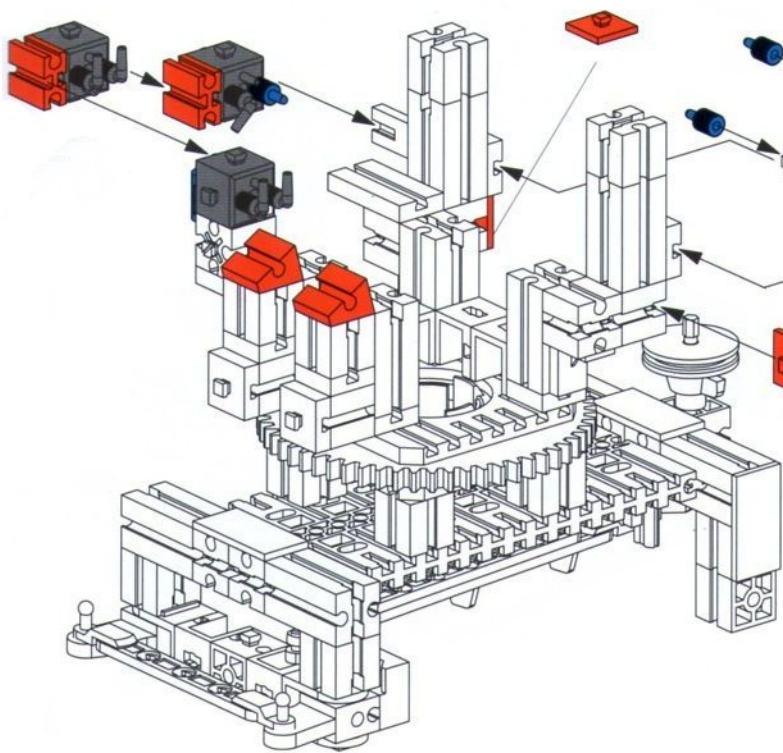


- 8**
- 4x [Grey 2x3 Technic Brick]
  - 2x [Grey 2x3 Technic Brick with Hole]
  - 1x [Grey 2x3 Technic Brick with Hole and Pin]
  - 3x [Red 1x3 Technic Brick]
  - 3x [Red 1x3 Technic Brick with Hole]
  - 2x [Red 1x3 Technic Brick with Pin]
  - 1x [Red 1x3 Technic Brick with Pin and Hole]

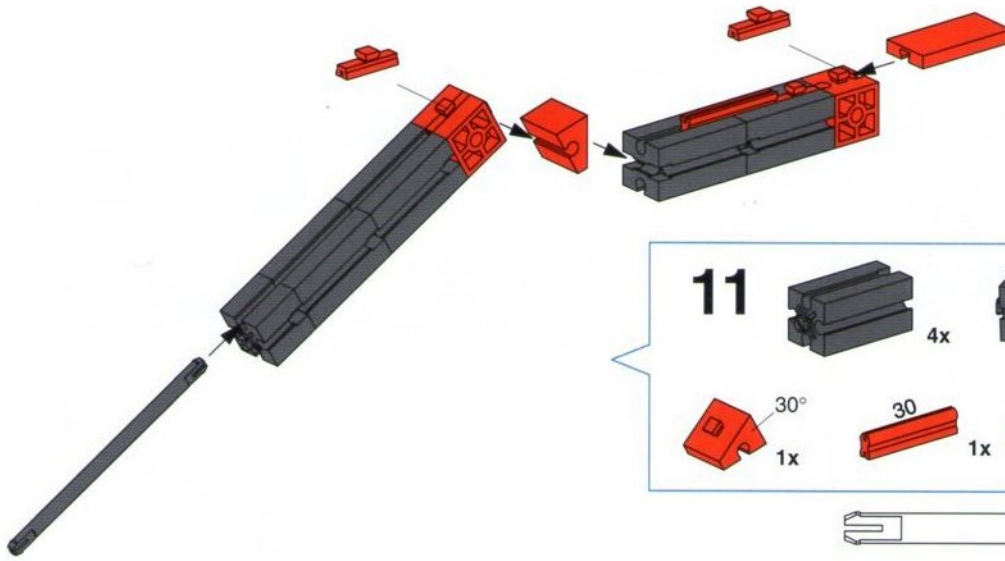


- 9**
- 2x [Grey 2x3 Technic Brick]
  - 5x [Grey 2x3 Technic Brick with Hole]
  - 4x [Red 1x3 Technic Brick]
  - 1x [Red 1x3 Technic Brick with Hole]
  - 1x [Red 1x3 Technic Brick with Pin]
  - 2x [Red 1x3 Technic Brick with Pin]

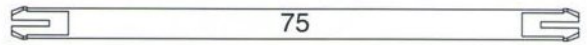
Kompressor Seite 11  
 Compressor Page 11  
 Compresseur Page 11  
 Compressor Bladzijde 11  
 Compresor Pàgina 11  
 Compressor Pàgina 11



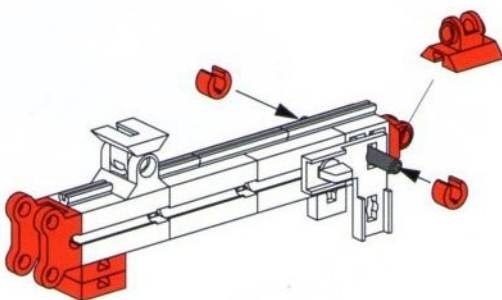
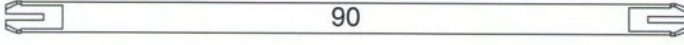
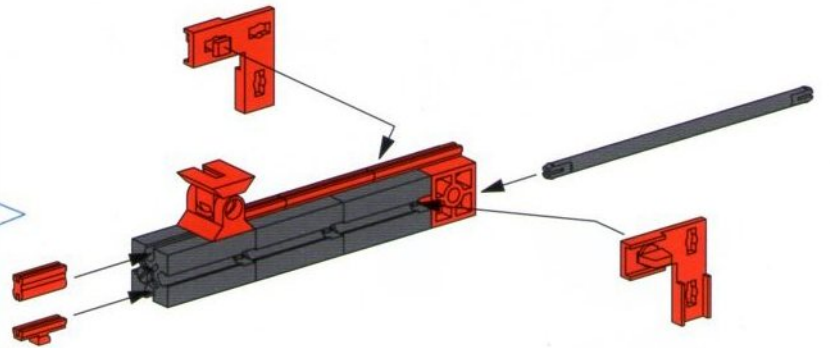
- 10**
- 3x [Blue 1x3 Technic Brick with Hole]
  - 5x [Red 1x3 Technic Brick with Hole]
  - 2x [Red 1x3 Technic Brick with Pin]
  - 2x [Red 1x3 Technic Brick with Pin]
  - 2x [Red 1x3 Technic Brick with Pin]
  - 3x [Blue Pin]



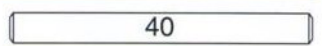
- 11**
- 4x grey 3-hole Technic beam
  - 1x grey 2-hole Technic beam
  - 2x red 2-hole Technic Technic connector
  - 2x red 1-hole Technic Technic connector
  - 1x red 30-degree Technic Technic connector
  - 1x red 30-hole Technic Technic connector
  - 1x red 1-hole Technic Technic connector
  - 1x grey 75-hole Technic axle



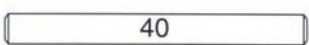
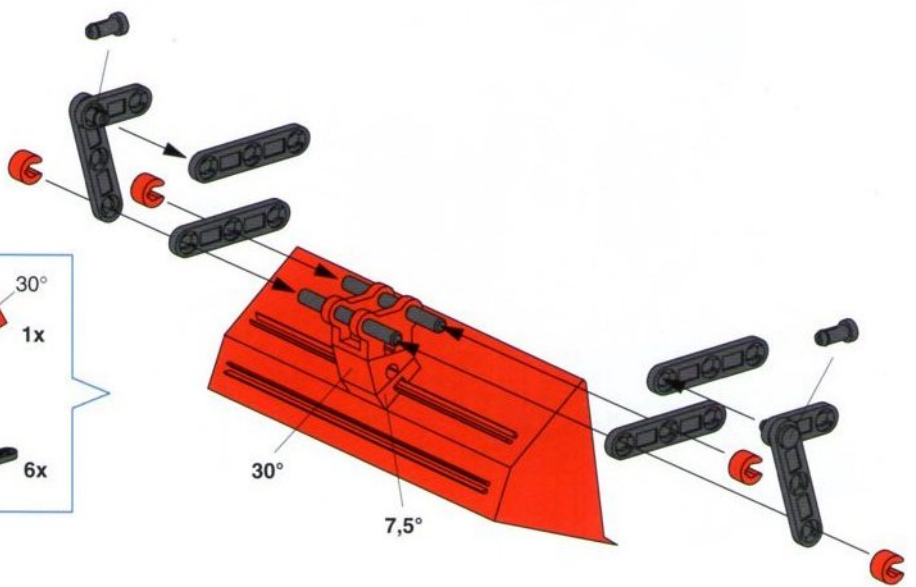
- 12**
- 3x grey 3-hole Technic beam
  - 1x red 2-hole Technic Technic connector
  - 1x red 2-hole Technic Technic connector
  - 2x red 30-hole Technic Technic connector
  - 2x red 15-hole Technic Technic connector
  - 1x red 1-hole Technic Technic connector
  - 2x red 4-hole Technic Technic connector
  - 2x red L-shaped Technic Technic connector
  - 1x grey 90-hole Technic axle

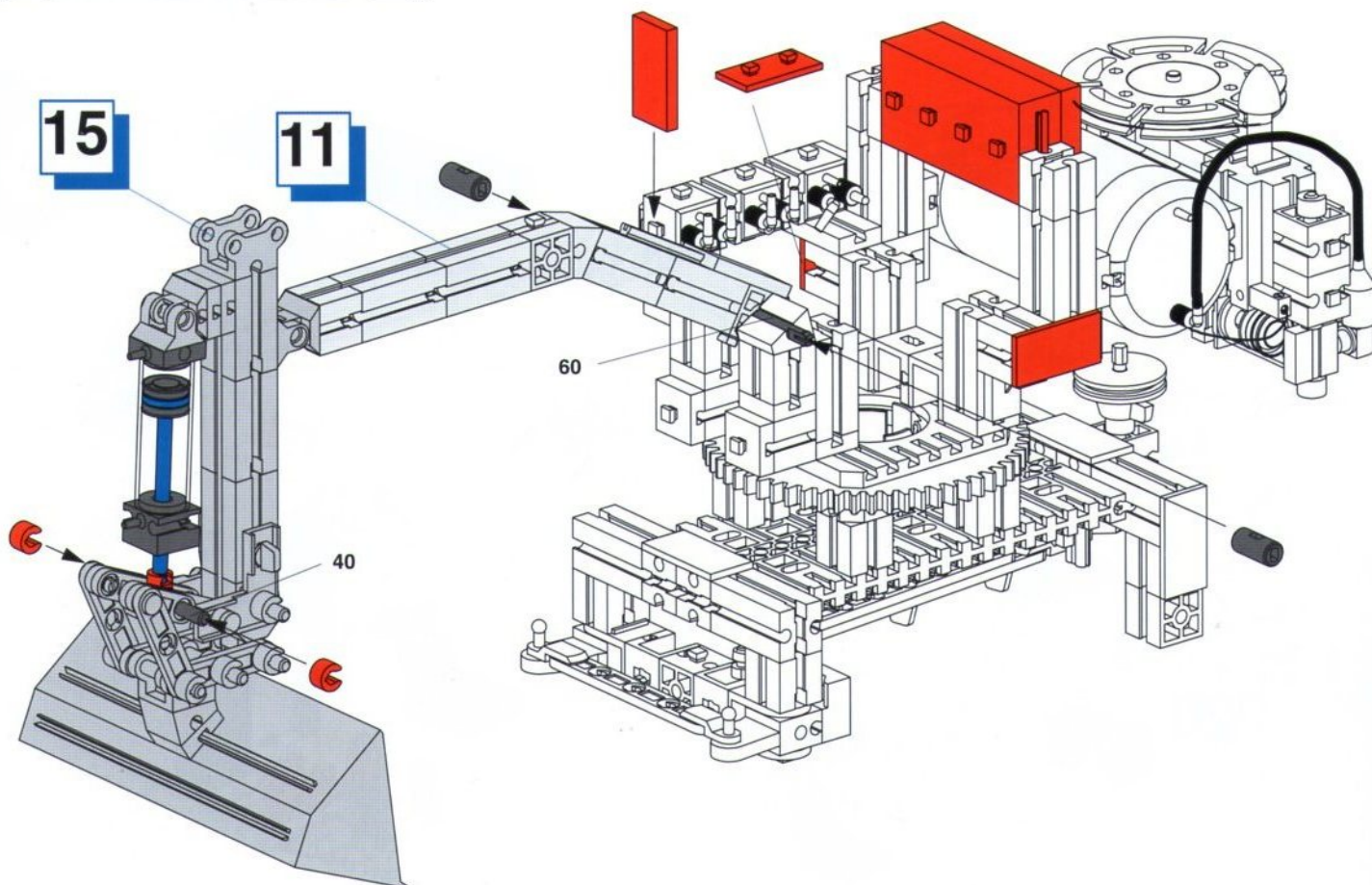
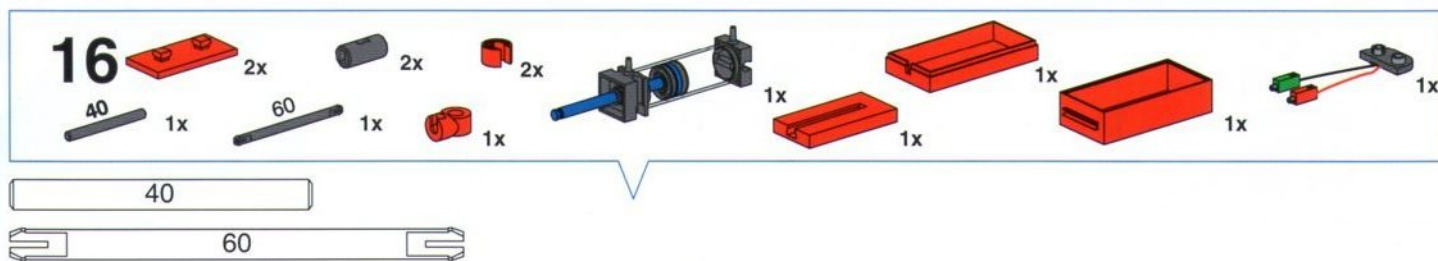
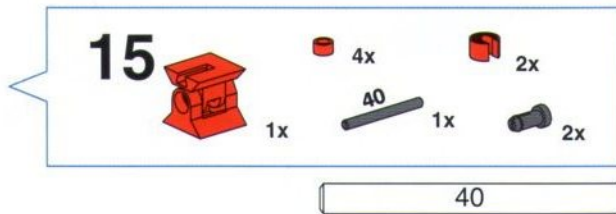
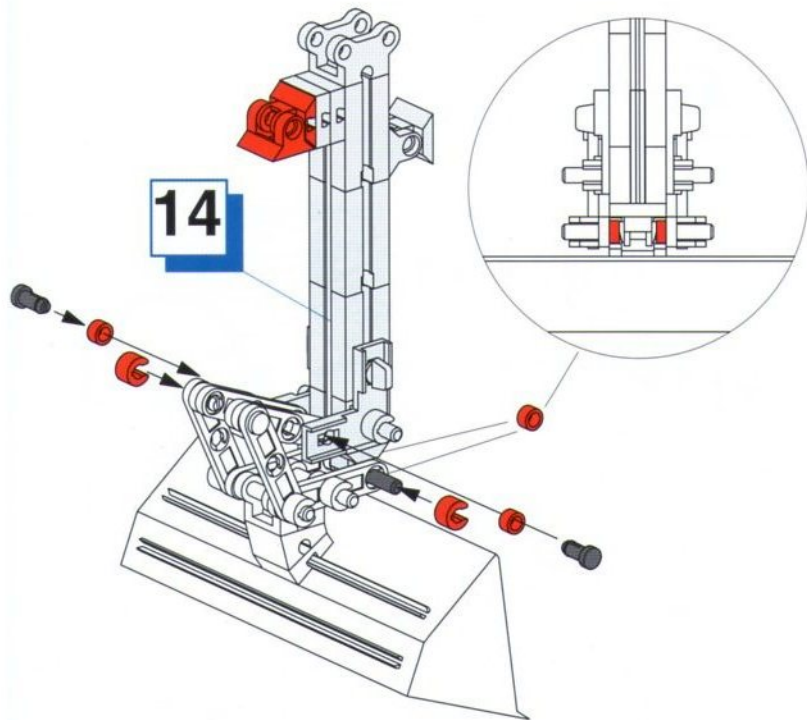


- 13**
- 1x grey 40-hole Technic axle
  - 2x red 1-hole Technic Technic connector
  - 1x red 2-hole Technic Technic connector
  - 2x red 2-hole Technic Technic connector
  - 1x red 2-hole Technic Technic connector

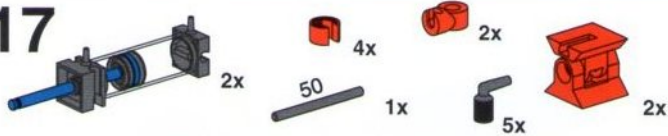


- 14**
- 1x red 40-hole Technic Technic connector
  - 1x red 7.5-degree Technic Technic connector
  - 1x red 30-degree Technic Technic connector
  - 1x red 2-hole Technic Technic connector
  - 4x red 1-hole Technic Technic connector
  - 2x grey 2-hole Technic Technic connector
  - 2x grey 15-hole Technic Technic connector
  - 6x grey 30-hole Technic Technic connector

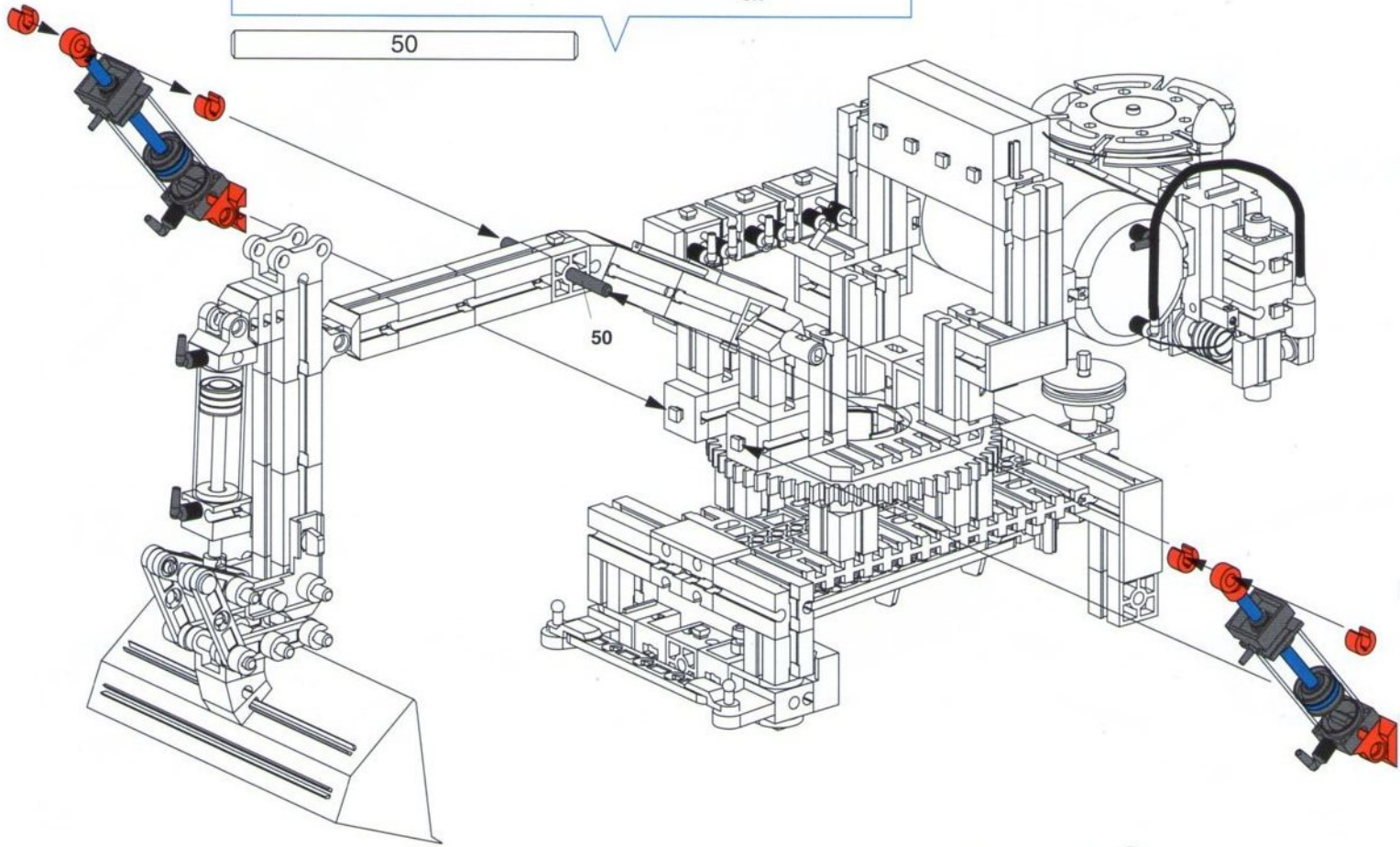




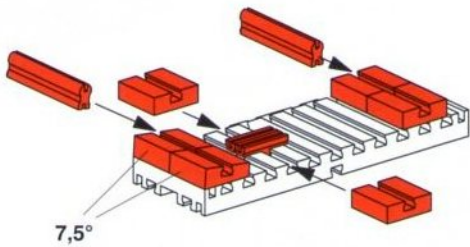
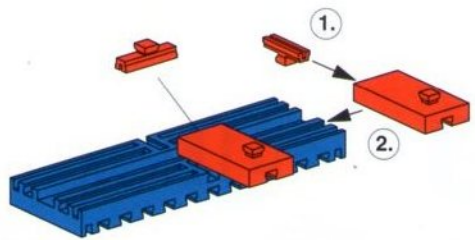
17



50



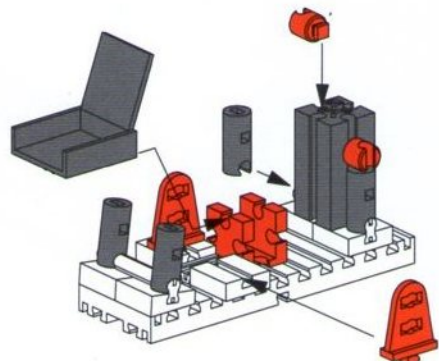
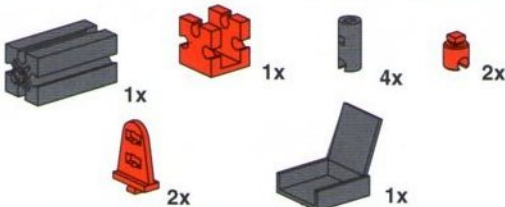
18



19



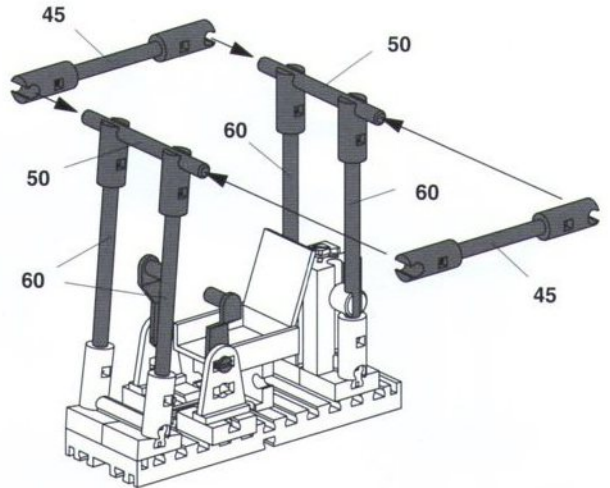
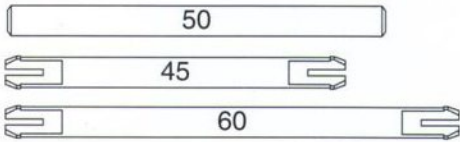
20





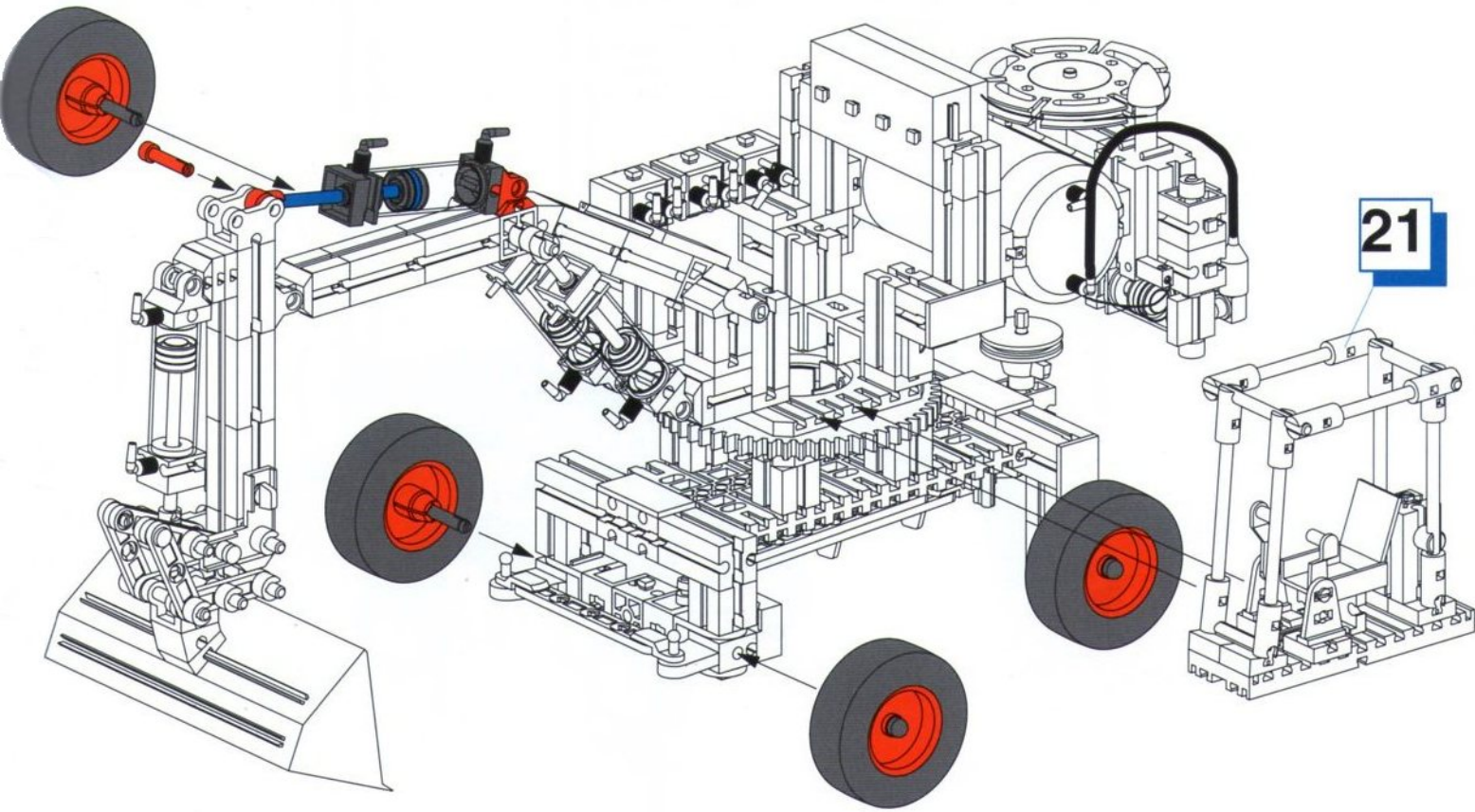
**21**

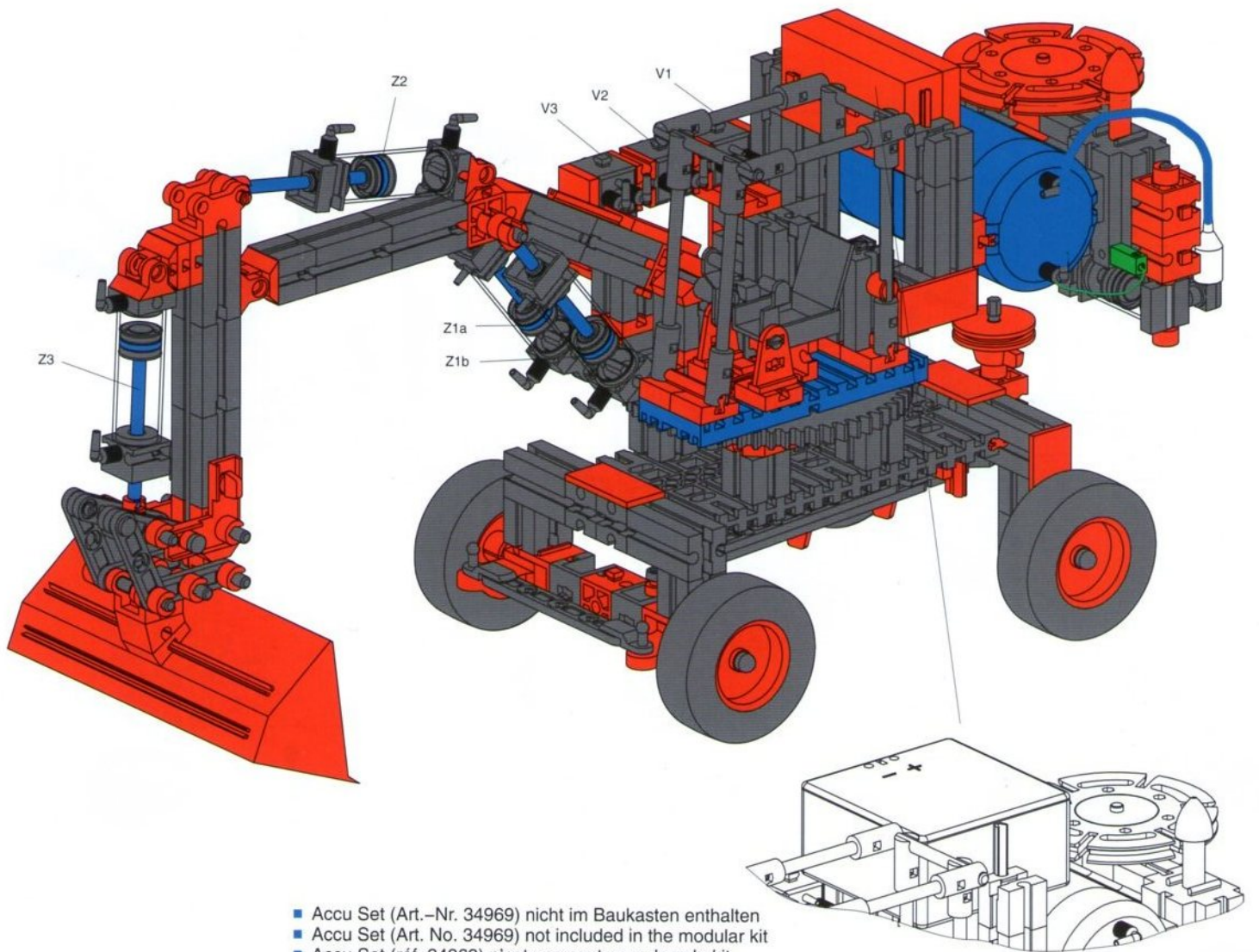
8x  
2x  
2x  
2x  
4x



**22**

1x  
1x  
1x  
2x  
1x  
4x  
4x



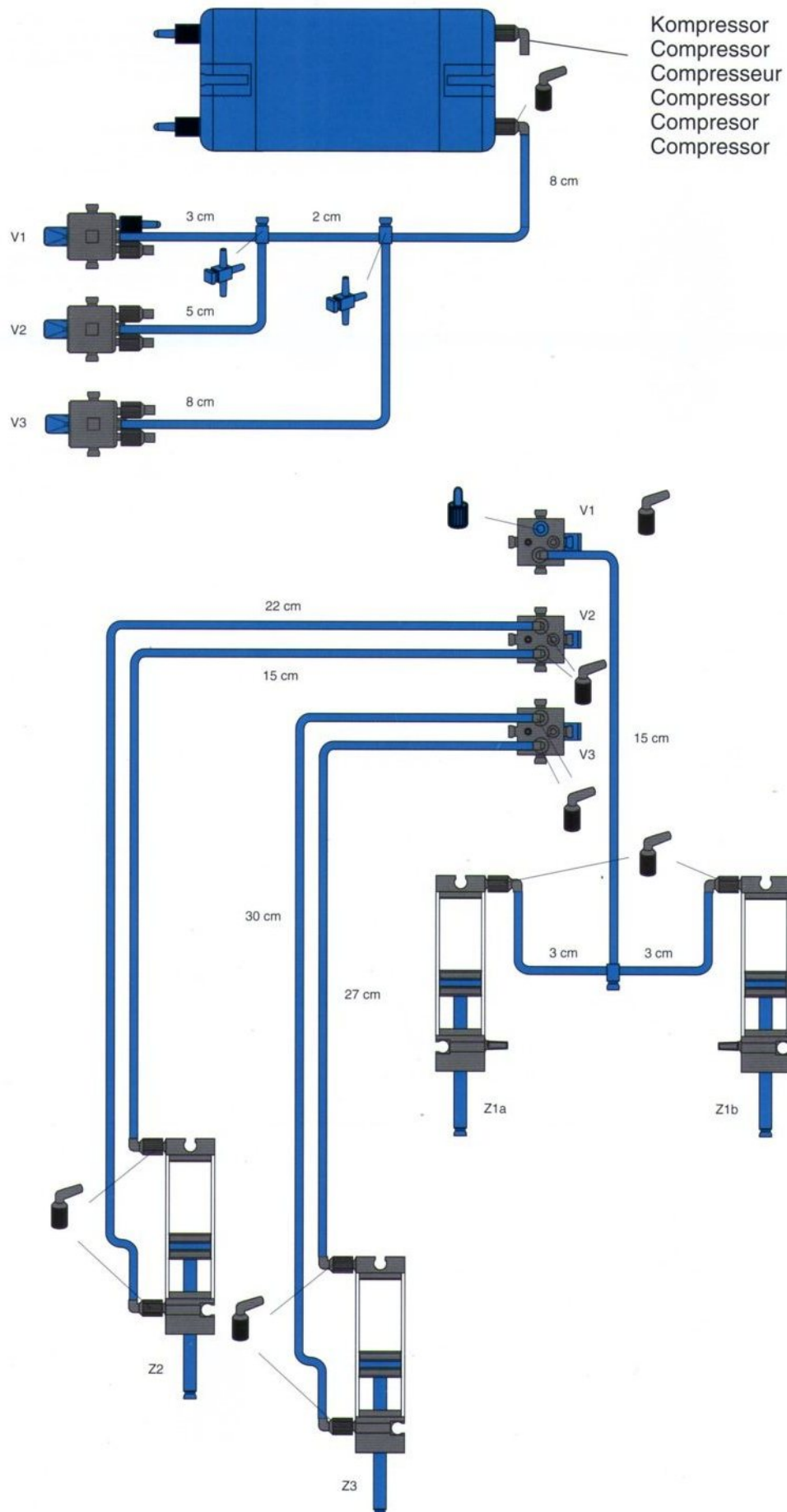


- Accu Set (Art.-Nr. 34969) nicht im Baukasten enthalten
- Accu Set (Art. No. 34969) not included in the modular kit
- Accu Set (réf. 34969) n'est pas contenue dans le kit
- Accu Set (art.-nr. 34969) niet in de bouwdoos opgenomen
- Accu Set (art. n° 34969) no está incluido en el conjunto
- Accu Set (Nº de prod. 34969) não contido no sistema de construção por blocos



Schlauchanschlussplan  
Air line layout plan  
Plan de raccordement de conduits

Aansluitschema van slang  
Racor de empalme  
Plano de conexão de mangueira





■ Hinweise zum Umweltschutz

Die elektrischen und elektronischen Bauteile dieses Baukastens (z. B. Motoren, Lampen, Sensoren) gehören nicht in den Hausmüll. Sie müssen am Ende ihrer Lebensdauer an einem Sammelpunkt für das Recycling von elektrischen und elektronischen Geräten abgegeben werden. Das Symbol auf dem Produkt, der Verpackung oder der Anleitung weist darauf hin.

■ Instructions for Environmental Protection

Do not put the electrical and electronic components of this construction kit such as motors, lights and sensors in the household waste. At the end of their service life, take them to a collection point for the recycling of electrical and electronic devices. The symbol on the product, packaging or the instructions shows this.

■ Remarques de protection de l'environnement

Les composantes électriques et électroniques de ce coffret (par ex. moteurs, lampes, capteurs) ne doivent pas être jetées avec les ordures ménagères. Lorsqu'elles ne sont plus utilisables, il faut les remettre auprès d'un centre de collecte spécialisé dans le recyclage des appareils électriques et électroniques. Le symbole sur le produit, l'emballage ou la notice d'instructions le signale.

■ Bescherming van het milieu

De elektrische en elektronische onderdelen van deze module (bijv. motoren, lampen, sensoren) behoren niet bij het huisvuil. Aan het einde van hun levensduur moeten ze worden ingeleverd bij een verzamelplaats voor de recycling van elektrische en elektronische apparaten. Het symbool op het product, de verpakking of de gebruiksaanwijzing wijst je daar ook op.

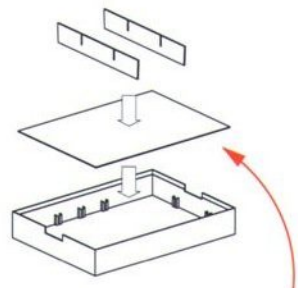
■ Notas con respecto a la protección del medio ambiente

Los componentes eléctricos y electrónicos de esta unidad modular (p. ej. motores, lámparas, sensores) no han de tirarse a la basura casera. Al final de su vida útil tienen que ser entregados en un puesto colector para el reciclaje de aparatos eléctricos y electrónicos. El símbolo sobre el producto, el embalaje o las instrucciones lo señala.

■ Instruções para a proteção do meio ambiente

Os componentes elétricos e eletrônicos deste módulo (p.ex. motores, lâmpadas, sensores) não pertencem ao lixo doméstico. Eles devem ser entregues, no final da sua vida útil, num posto de coleta para a reciclagem de aparelhos elétricos e eletrônicos. O símbolo no produto, na embalagem ou no manual indica isto.

Sortiervorschlag Box 1 für Aufbewahrungssystem Art.-Nr. 94828  
 Storage suggestion box 1 for storage system Art No. 94828  
 Suggestion de classement Boîte 1 pour le système de stockage Art n° 94828  
 Sorteervoorstel box 1 voor bewaarsysteem art.-nr. 94828  
 Propuesta de clasificación Caja 1 para almacenamiento Art. N° 94828  
 Proposta de divisão caixa 1 para sistema de conservação n.º de art. 94828



Zum Ausschneiden und Einlegen  
 For cutting out and inserting  
 A découper et à poser  
 Uitknippen en aanbrengen  
 Para cortar y montar  
 Para cortar e colocar



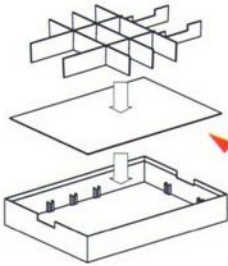
- 1 x 36 708
- 4 x 35 050
- 1 x 36 190

- 1 x 36 925
- 1 x 31 912
- 1 x 36 443


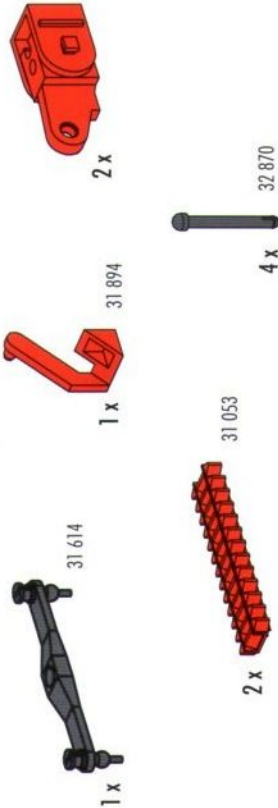
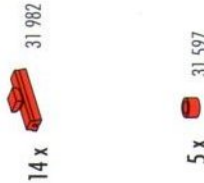
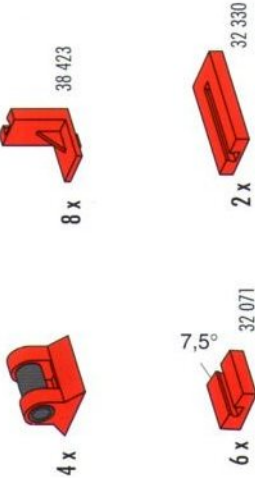

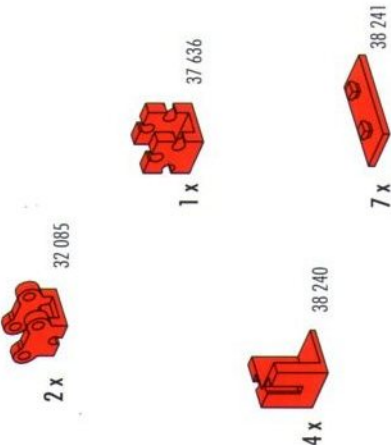
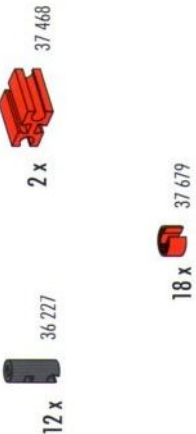
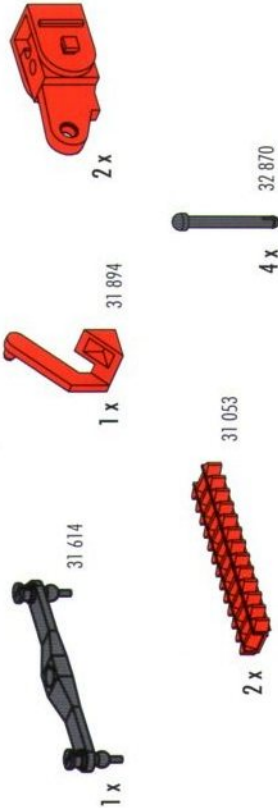

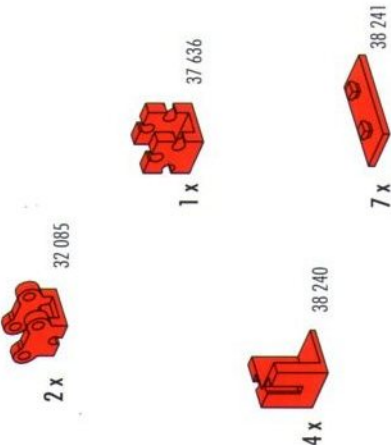
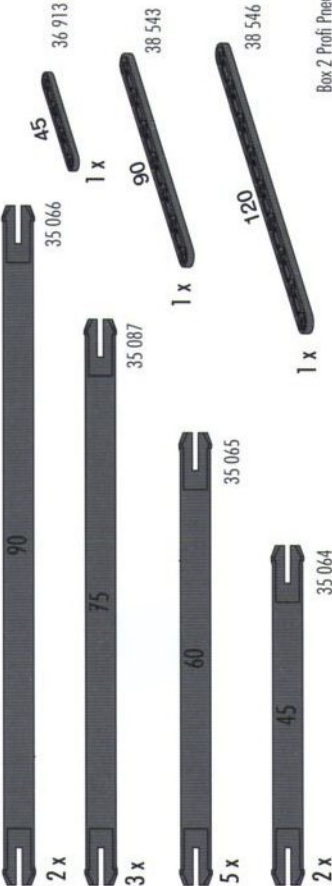


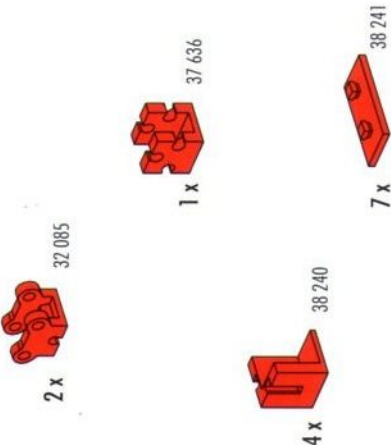
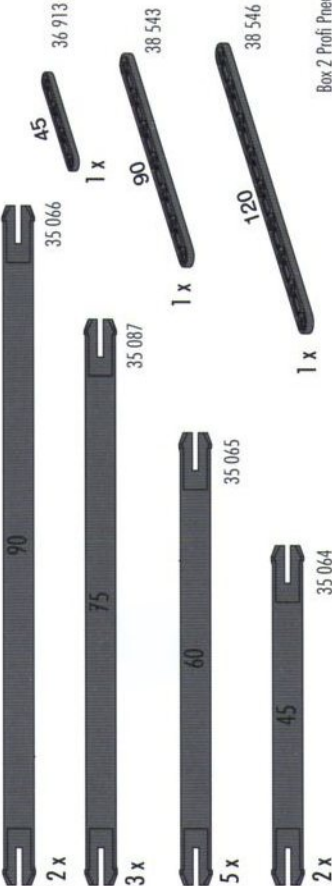



- 4 x 31 058
- 2 x 35 031

**Sortiervorschlag Box 2 für Aufbewahrungssystem Art.-Nr. 94828**  
**Storage suggestion box 2 for storage system Art No. 94828**  
**Suggestion de classement Boîte 2 pour le système de stockage Art n° 94828**  
**Sorteervoorstel box 2 voor bewaarsysteem art.-nr. 94828**  
**Propuesta de clasificación Caja 2 para almacenamiento Art. N° 94828**  
**Proposta de divisão caixa 2 para sistema de conservação n.º de art. 94828**

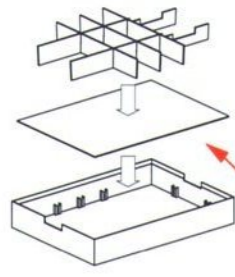


Zum Ausschneiden und Einlegen  
 For cutting out and inserting  
 A découper et à poser  
 Uittknippen en aanbrengen  
 Para cortar y montar  
 Para cortar e colocar

  <p>1 x 31 614          2 x 31 894          2 x 31 053          4 x 32 870</p>	 <p>14 x 31 982          5 x 31 597</p>	 <p>4 x 38 423          6 x 32 071          2 x 32 330</p>	 <p>4 x 31 592          4 x 37 238          2 x 38 253</p>	 <p>2 x 32 085          4 x 38 240          1 x 37 636          7 x 38 241</p>	 <p>12 x 36 227          2 x 37 468          18 x 37 679</p>	
 <p>1 x 31 614          2 x 31 894          2 x 31 053          4 x 32 870</p>			 <p>4 x 31 592          4 x 37 238          2 x 38 253</p>	 <p>2 x 32 085          4 x 38 240          1 x 37 636          7 x 38 241</p>	 <p>2 x 35 066          3 x 35 087          5 x 35 065          2 x 35 064          1 x 36 913          1 x 38 543          1 x 38 546</p>	 <p>4 x 31 592          4 x 37 238          2 x 38 253</p>
 <p>4 x 31 592          4 x 37 238          2 x 38 253</p>			 <p>2 x 32 085          4 x 38 240          1 x 37 636          7 x 38 241</p>	 <p>2 x 35 066          3 x 35 087          5 x 35 065          2 x 35 064          1 x 36 913          1 x 38 543          1 x 38 546</p>	 <p>4 x 31 592          4 x 37 238          2 x 38 253</p>	


Box 2 Profi Pneumatic II

Sortiervorschlag Box 3 für Aufbewahrungssystem Art.-Nr. 94828  
 Storage suggestion box 3 for storage system Art No. 94828  
 Suggestion de classement Boîte 3 pour le système de stockage Art n° 94828  
 Sorteervoorstel box 3 voor bewaarsysteem art.-nr. 94828  
 Propuesta de clasificación Caja 3 para almacenamiento Art. N° 94828  
 Proposta de divisão caixa 3 para sistema de conservação n.º de art. 94828

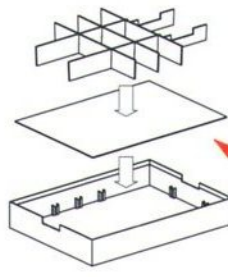


Zum Ausschneiden und Einlegen  
 For cutting out and inserting  
 A découper et à poser  
 Uitsnippen en aanbrengen  
 Para cortar y montar  
 Para cortar e colocar



 <p>36 952 60 4 x</p> <p>36 912 30 6 x</p> <p>36 914 15 2 x</p>	<p>31 888 2 x</p> <p>35 068 2 x</p> <p>36 323 4</p> <p>31 690 1 x</p>	<p>32 881 20 x</p>	<p>32 879 20 x</p>	<p>31 010 60° 2 x</p> <p>31 011 30° 4 x</p> <p>31 994 2 x</p>	<p>32 882 6 x</p>	<p>38 246 2 x</p> <p>35 969 1 x</p> <p>35 980 2 x</p> <p>32 316 4 x</p>	<p>32 064 11 x</p>	<p>38 428 5 x</p> <p>36 950 3 x</p>
--	---	------------------------	------------------------	---	-----------------------	---	------------------------	---

Sortiervorschlag Box 4 für Aufbewahrungssystem Art.-Nr. 94828  
 Storage suggestion box 4 for storage system Art No. 94828  
 Suggestion de classement Boîte 4 pour le système de stockage Art n° 94828  
 Sorteervoorstel box 4 voor bewaarsysteem art.-nr. 94828  
 Propuesta de clasificación Caja 4 para almacenamiento Art. N° 94828  
 Proposta de divisão caixa 4 para sistema de conservação n.º de art. 94828



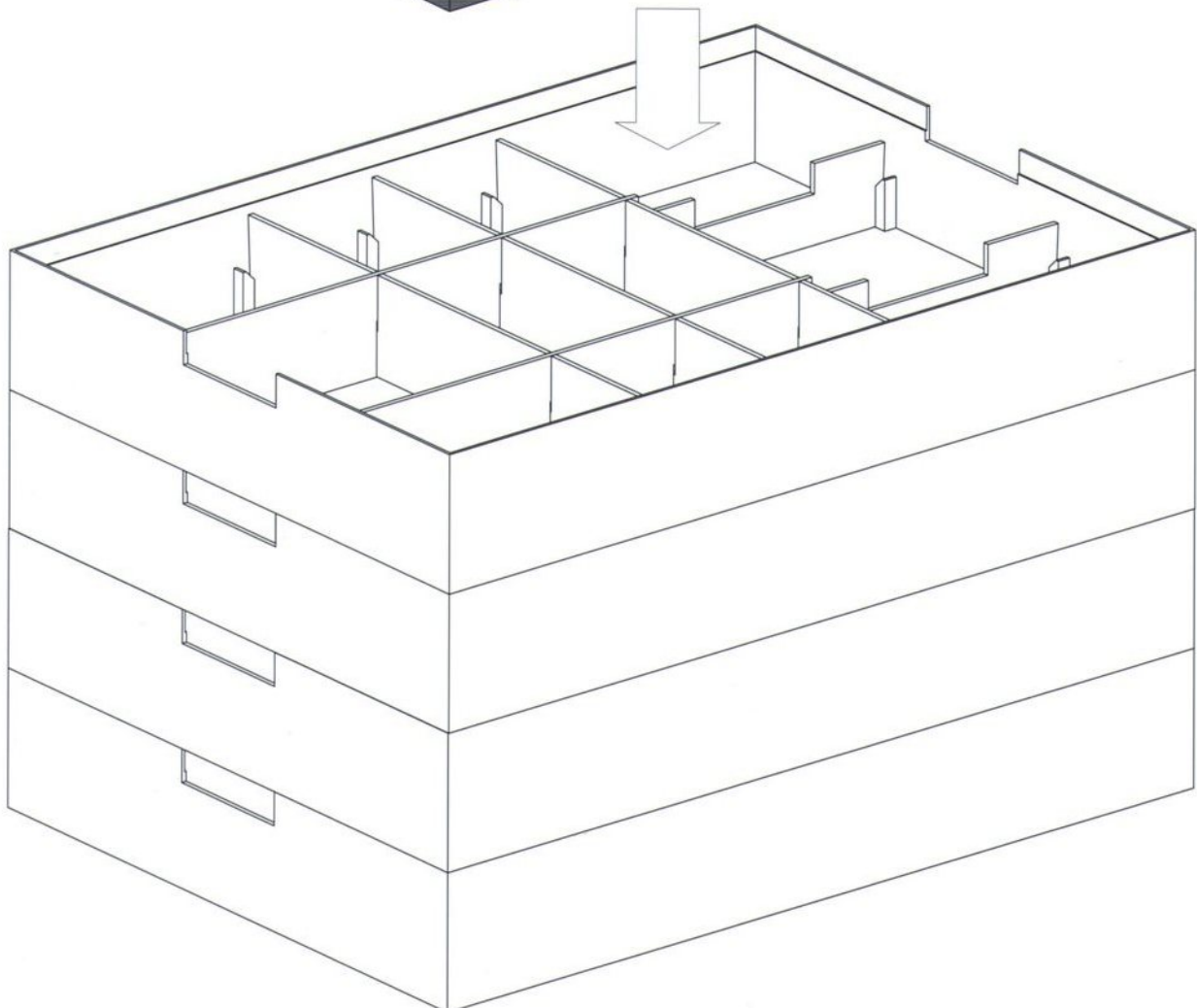
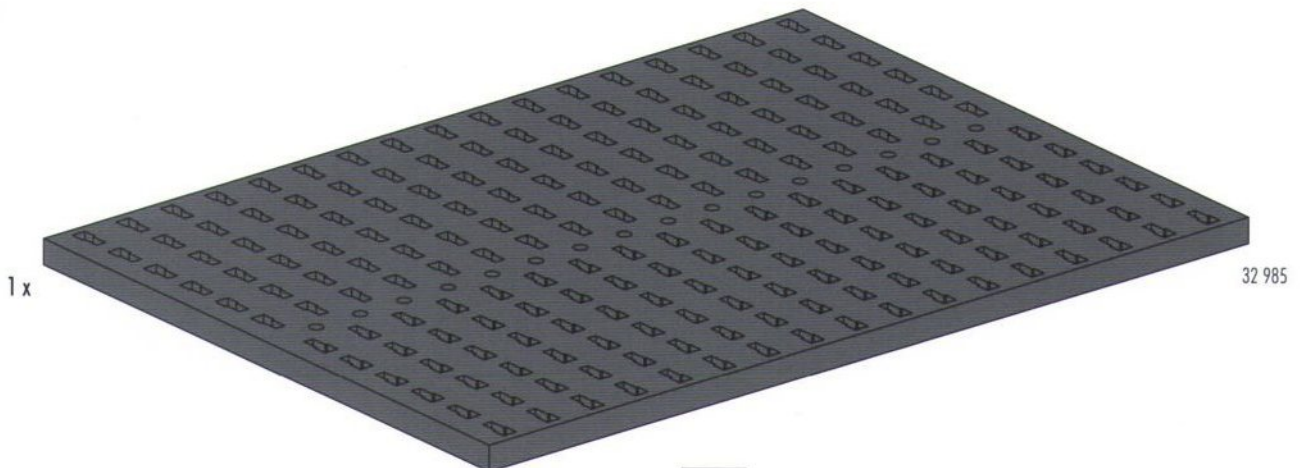
Zum Ausschneiden und Einlegen  
 For cutting out and inserting  
 A découper et à poser  
 Uitknippen en aanbrengen  
 Para cortar y montar  
 Para cortar e colocar





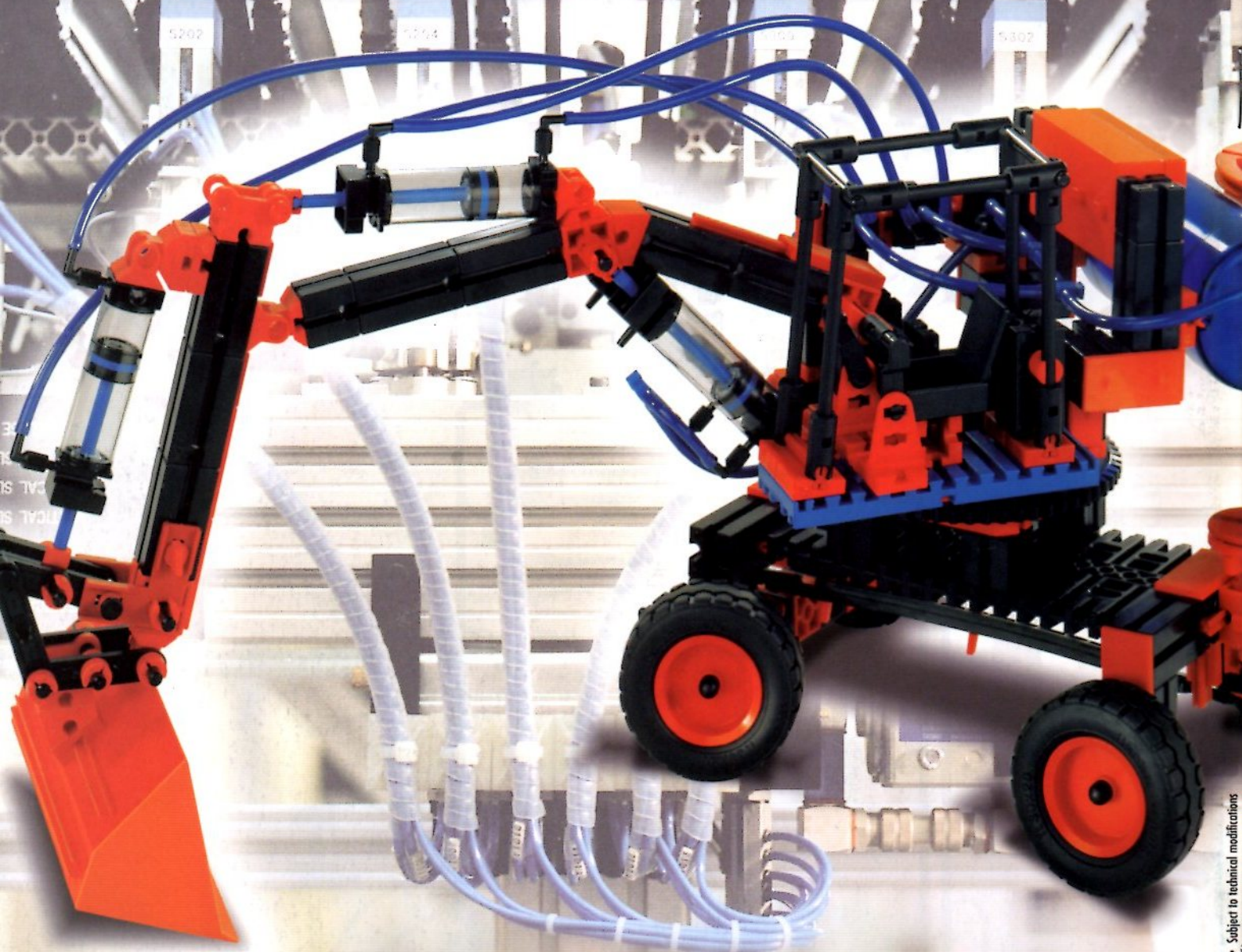



Empfohlene Aufbewahrung:	4 x Aufbewahrungssystem Art.-Nr. 94 828
Recommended storage:	4 x storage system Art No. 94828
Stockage conseillé :	4 x système de stockage Art n° 94828
Bewaaradvies:	4 x bewaarsysteem art.-nr. 94828
Consejos para guardar el producto:	4 x almacenamiento Art. N° 94828
Conservação recomendada:	4 x sistema de conservação n.º de art. 94828

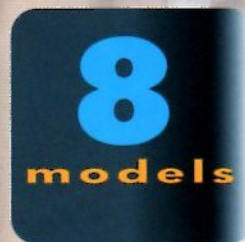




# PROFI Pneumatic II



fischerwerke  
Artur Fischer GmbH & Co. KG  
Weinhalde 14-18  
D-72178 Waldachtal  
Telefon: 0 74 43/12-43 69  
Fax: 0 74 43/12-45 91  
email: [info@fischertechnik.de](mailto:info@fischertechnik.de)  
<http://www.fischertechnik.de>



# fischertechnik®

